



Profit from the Eagle Advantage®

Specification Sheet

Short Form Specifications

Eagle 2200 Series Workboard Unit, model _____.
Top, front, and backsplash to be heavy gauge type 304 stainless steel. Embossed work surface with 1½" center drain. 1½" O.D. galvanized tubular legs with adjustable bullet feet.

Item No.:	_____
Project No.:	_____
S.I.S. No.:	_____

2200 Series Workboards

MODELS:

- WB2-22
- WB3-22
- WB4-22



model# WB3-22

Design and Construction Features

- Stainless steel type 304 work surface, front and backsplash.
- Galvanized ends and back panel.
- 1½" (41mm) diameter heavy gauge galvanized tubing with 12 gauge gussets.
- High-impact, corrosion-resistant, fully-adjustable bullet feet.
- 1½" (38mm) center drain.
- Embossed drain surface for ease of draining.
- Bullnose front edge.

Options / Accessories

- Stainless steel leg kits

EAGLE GROUP

100 Industrial Boulevard, Clayton, DE 19938-8903 USA
 Phone: 302-653-3000 • 800-441-8440 • Fax: 302-653-2065
www.eaglegrp.com
www.eaglegrpnews.com
www.eaglemhc.com

For custom configuration or fabrication needs, contact our **SpecFAB® Division**.
 Phone: 302-653-3000 • Fax: 302-653-2065 • e-mail: quotes@eaglegrp.com



EG40.13 Rev. 08/23

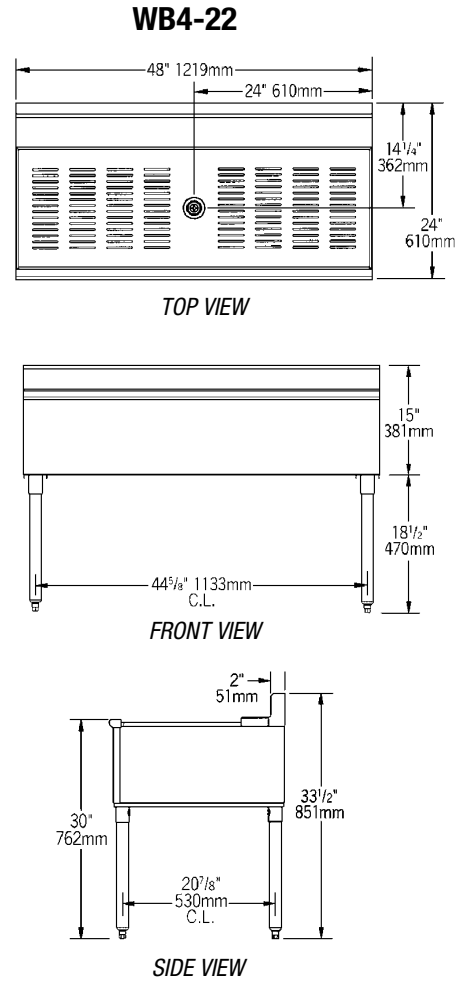
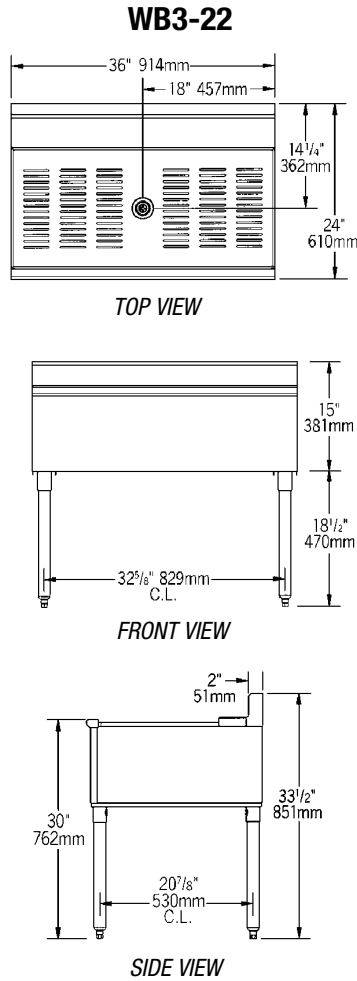
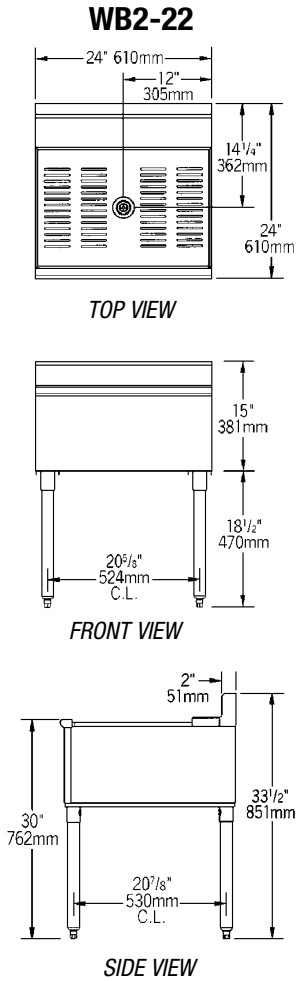
Spec sheets available for viewing, printing or downloading from our online literature library at our websites

Eagle Foodservice Equipment, Eagle MHC, and SpecFAB® are divisions of Eagle Group. ©2023 by the Eagle Group



Item No.: _____
 Project No.: _____
 S.I.S. No.: _____

2200 Series Workboards



model #	width		length		weight	
	in.	mm	in.	mm	lbs.	kg
WB2-22	24"	610	24"	610	27	12.2
WB3-22	24"	610	36"	914	56	25.4
WB4-22	24"	610	48"	1219	58	26.3

Optional Stainless Steel Leg Kits

add suffix #	description
-SL	stainless steel leg assemblies
-SLF	stainless steel leg assemblies & stainless steel feet
-SLG	stainless steel leg assemblies & stainless steel gussets
-SLGF	stainless steel leg assemblies, stainless steel feet & gussets

EAGLE GROUP
 100 Industrial Boulevard, Clayton, DE 19938-8903 USA
 Phone: 302-653-3000 or 800-441-8440 • Fax: 302-653-2065
 www.eaglegrp.com • www.eaglegrpnews.com • www.eaglehmc.com

Printed in U.S.A.
 ©2023 by Eagle Group
 Rev. 08/23

Spec sheets available for viewing, printing or downloading from our online literature library at our websites

Although every attempt has been made to ensure the accuracy of the information provided, we cannot be held responsible for typographical or printing errors. Information and specifications are subject to change without notice. Please confirm at time of order.