

PREMIUM WORKTABLE WITH 1-1/2" BACKSPLASH

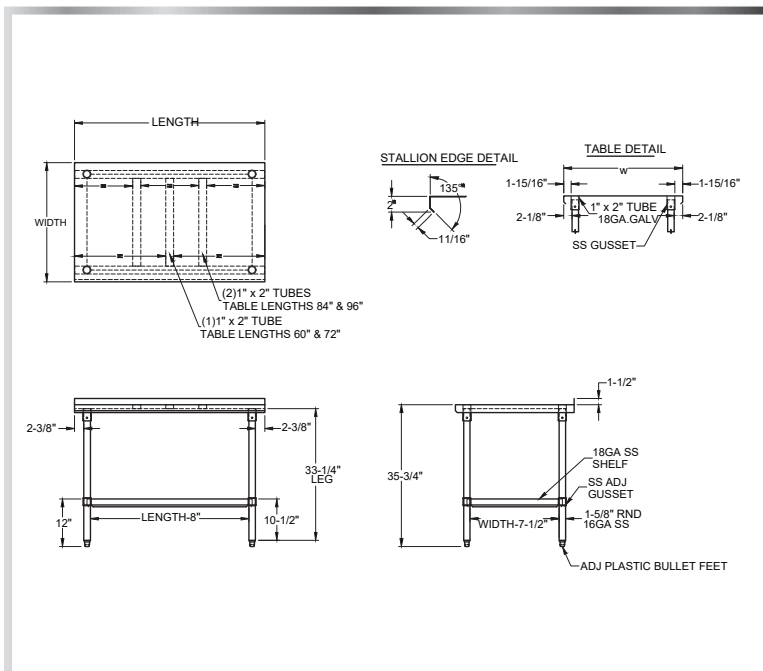


WORKTABLES - 1-1/2" SPLASH

18GA

MATERIALS

- 18 Gauge 430 Series Stainless Steel Top
- Stainless Steel Lower Shelf, Legs, and Bullet Feet



FEATURES

- Straight Turndown Edges
- Adjustable Lower Shelf and Bullet Feet (* Has 6 Legs)
- Available With Casters (Page 120)

MODEL NUMBER	LENGTH	WIDTH
TS-2418R	24"	18"
TS-2424R	24"	24"
TS-3018R	30"	18"
TS-3024R	30"	24"
TS-3030R	30"	30"
TS-3618R	36"	18"
TS-3624R	36"	24"
TS-3630R	36"	30"
TS-4818R	48"	18"
TS-4824R	48"	24"
TS-4830R	48"	30"
TS-6018R	60"	18"

MODEL NUMBER	LENGTH	WIDTH
TS-6024R	60"	24"
TS-6030R	60"	30"
TS-7218R	72"	18"
TS-7224R	72"	24"
TS-7230R	72"	30"
TS-8418R*	84"	18"
TS-8424R*	84"	24"
TS-8430R*	84"	30"
TS-9618R*	96"	18"
TS-9624R*	96"	24"
TS-9630R*	96"	30"

(609) 642 - 8389 | SALES@NBREQUIPMENT.COM | WWW.NBREQUIPMENT.COM

NBR EQUIPMENT, 10 ABEEL ROAD, CRANBURY, NJ 08512