



www.BakeMax.com

Project: \_\_\_\_\_

Item: \_\_\_\_\_

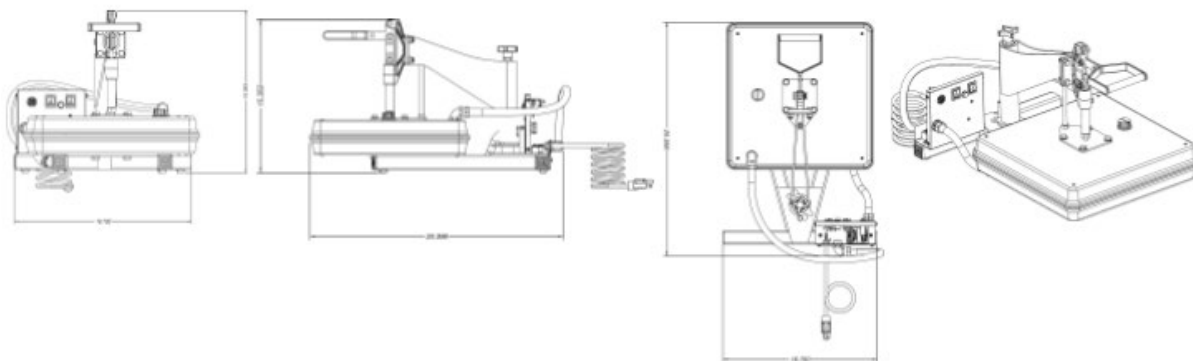
Qty: \_\_\_\_\_ Date: \_\_\_\_\_

## BakeMax BMTXM-15 Manual Tortilla Press



The efficient, economical, and durable BMTXM-15 is perfect for low to medium production volumes. It is fast, safe, simple, and mess-free. The BMTXM-15 features a 15" by 15" platen that is capable of making 4 tortillas at once. The BMTXM-15 press is great for both flour or corn tortillas as well as flatbreads. The swing away design with upper and lower heated platens provides a quick and easy way to flatten your flour tortillas, pizza dough, or flatbread dough.



- Full range thickness adjustment from paper thin to 7/8"
- Easy to use open and close handle
- Top platen swings away for easy loading and unloading of dough
- Heat indicating light that turns off when set temperature is reached
- Powder coated white finish with aluminum upper and lower platens.
- ETL Electrical Safety
- ETL Sanitation



\*\* Due to continuous product improvement, specifications are subject to change without notice.

**BakeMax® / Titan Ventures International Inc.**

**Warehouses:**

270 Baig Blvd, Moncton, NB, E1E1C8   
1605 Crescent Circle, Dallas, TX 75006 

**Toll Free:** 1-800-565-BAKE (2253)

**Phone:** 506-858-8990

**Fax:** 506- 859-6929

**Email:** Sales@BakeMax.com



www.BakeMax.com

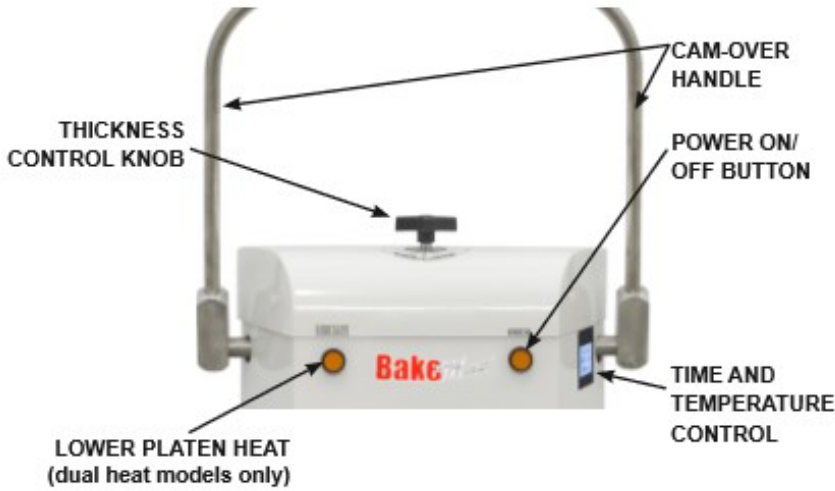
Project: \_\_\_\_\_

Item: \_\_\_\_\_

Qty: \_\_\_\_\_ Date: \_\_\_\_\_

# BakeMax BMTXM-15 Manual Tortilla Press

MANUAL PRESS CONTROL DIAGRAM



### DIMENSIONS

Width: 16-1/2 inches, 41.91 centimeters  
 Height: 15-1/4 inches, 38.74 centimeters  
 Depth: 24 inches, 60.96 centimeters

### WEIGHT

Shipping: 85 lbs.

### ELECTRICAL



220 Volt / 50-60 Hz  
 3100 Watts  
 15 Amps  
 6-20P NEMA Plug

### TEMPERATURE RANGE

Off-400°F, 204°C upper & platen

**BakeMax® / Titan Ventures International Inc.**

**Warehouses:**

270 Baig Blvd, Moncton, NB, E1E1C8   
 1605 Crescent Circle, Dallas, TX 75006 

**Toll Free:** 1-800-565-BAKE (2253)

**Phone:** 506-858-8990

**Fax:** 506- 859-6929

**Email:** Sales@BakeMax.com