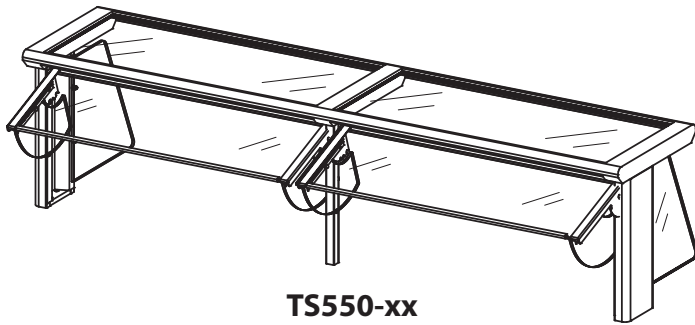




Your Solutions Partner

# Specifications

F.O.B. Sedalia, Missouri 65301



TS550-xx

### OPTIONS:

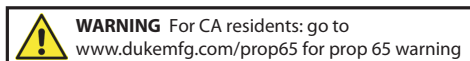
- Fluorescent light
- Radiant heat rod w/incandescent light - 120V
- Radiant heat rod w/switch
- Special lengths or heights
- Special finish colors

### AGENCY LISTINGS:



DUKE MANUFACTURING CO.  
 2305 N. Broadway  
 St. Louis, MO 63102  
 800.735.3853 Toll Free  
 314.231.5074 Fax  
 www.dukemfg.com

Specification subject to change



**Approval Stamp(s):**

### PRODUCT INFORMATION:

PROJECT: \_\_\_\_\_

ITEM: \_\_\_\_\_

QUANTITY: \_\_\_\_\_

### MODEL:

Foodshield - Designer Series - Self-Service  
 Fits: Thurmaduke Steamtable, Aeroserv,  
 Thurmaduke Serving Systems

- TS550-32
- TS550-46
- TS550-60                      Self-Service Style, glass top
- TS550-74
- TS550-88

### TOPS:

- All edges flanged down
- 18 gauge stainless steel or paint grip steel
- Choice of (12) powder coat paint colors (must choose one):

### FRAMES

- 18 gauge stainless steel or choice of 12 powder coat colors

### GUARDS

- Adjustable 1/4" tempered glass food shield

### SIZES

- All units available in following lengths  
 31-3/4", 45-3/4", 59-3/4", 73-3/4", 87-3/4"

FOODSHIELDS - DESIGNER SERIES

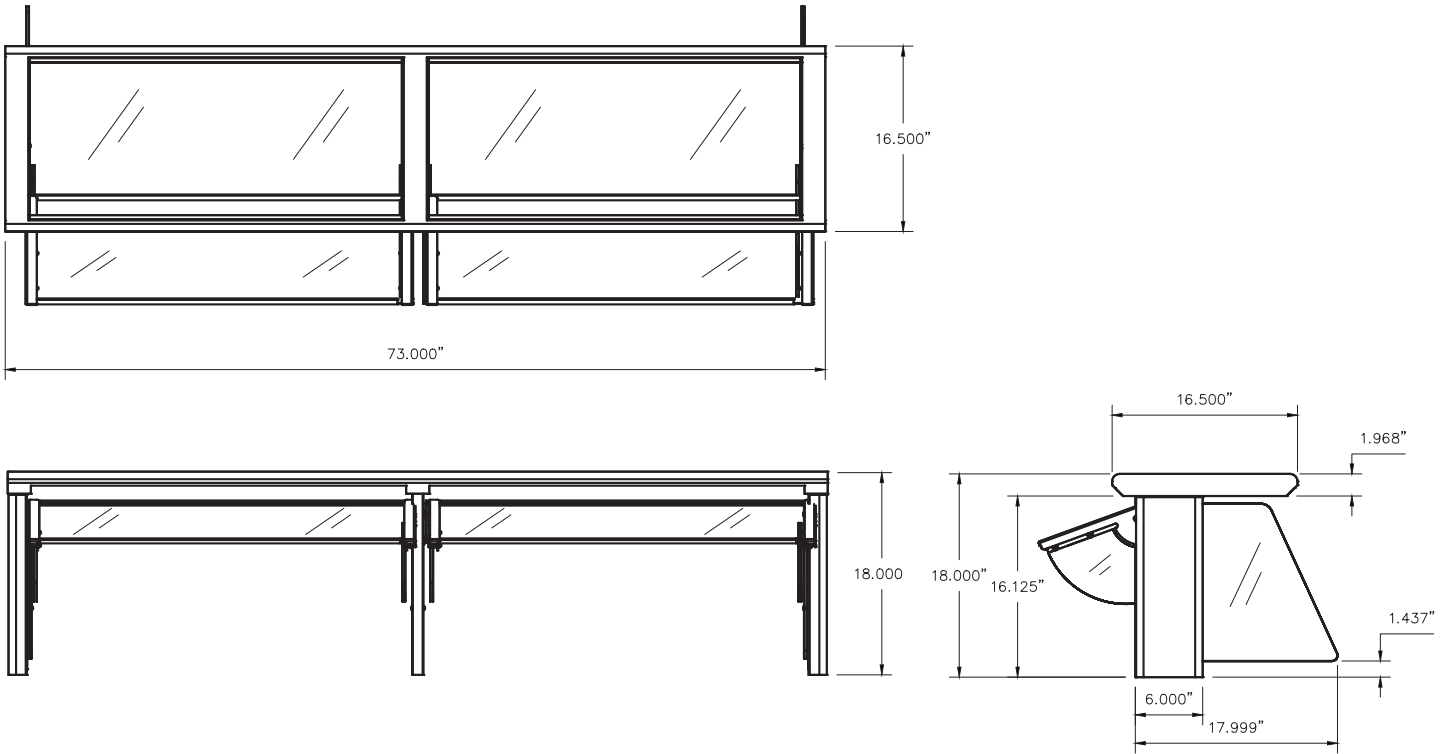
Catalog No. FS-DESIGNER

A.I.A. File No. 35-C-13

# FOODSHIELD - DESIGNER SERIES SELF SERVE GLASS TOP

A.I.A. File No. 35-C-13

Catalog No. FS-DESIGNER



**NOTE:** END ENCLOSURES ARE REQUIRED PER NSF

## DIMENSIONS:

Freight Class 125

Model	Length		Height		Width		Weight		Cube ft. Crated
	in.	cm	in.	cm	in.	cm	lbs.	kg	
<b>TS550-32</b>	31-1/4	79.4	18	45.7	18	46	25	11.4	8.3
<b>TS550-46</b>	45-1/4	114.9	18	45.7	18	46	31	14.1	11.4
<b>TS550-60</b>	59-1/4	150.4	18	45.7	18	46	36	16.4	14.5
<b>TS550-74</b>	73-1/4	186.1	18	45.7	18	46	40	18.2	17.5
<b>TS550-88</b>	87-1/4	221.6	18	45.7	18	46	44	20.0	20.6

Self Service - w/glass top, painted end panels

FOODSHIELDS - DESIGNER SERIES



**Duke Manufacturing Co.**

2305 N. Broadway  
St. Louis, MO 63102

Phone: 314-231-1130  
Toll Free: 1-800-735-3853  
Fax: 314-231-5074

[www.dukemfg.com](http://www.dukemfg.com)

Printed in U.S.A  
© 2020, Duke Manufacturing Co.