



# BEVERAGE STATION™

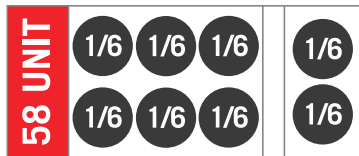
PRO-LINE™ 59" - 8 KEG

- Designed to dispense an array of beverages, at their perfect temperature including red and white wine, beer and cocktails.
- Front breathing for cooling and exhaust.



**MBB58BC-E**

Black



Keg footprint example



### Two (2) Zone, Dual-Temperature:

Built-in digital thermostats allow for custom temperature settings based on your preference.

**FOR EXAMPLE:**

Cold Side: Beer, white wine, cocktails @ 36°F

Warm Side: Red Wine @ 45° - 70°F



Towers and drip trays ordered separately.



Listed by Edison Testing Laboratories.  
Conforms to UL & NSF Standards.

[www.micromatic.com](http://www.micromatic.com) • 1 (866) 327-4159

PRO-LINE™ BEVERAGE STATION™

Job Number: \_\_\_\_\_ Location: \_\_\_\_\_

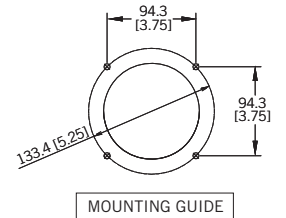
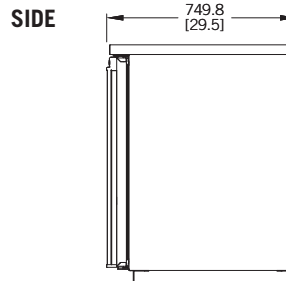
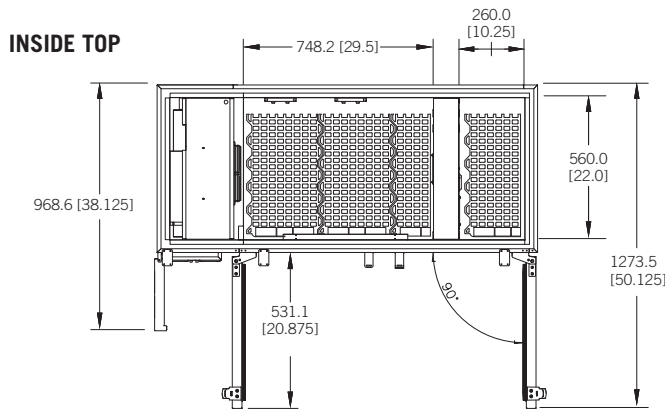
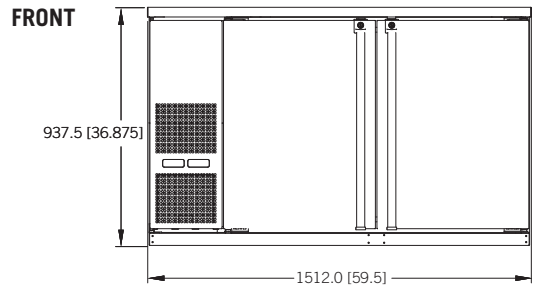
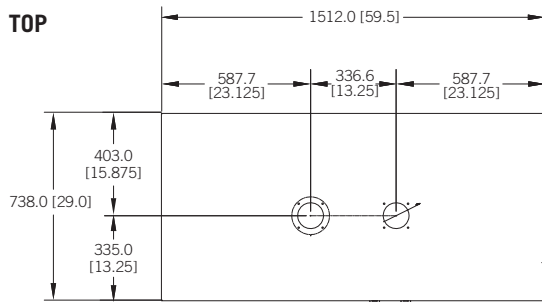
Part No.	Exterior Finish	Door Type	Doors	Shipping Weight
<input type="checkbox"/> MBB58BC-E	Black	Solid	2	144 kg
				318 lbs

**Operating Performance**

<b>Keg Capacity - Cold Side</b>	6 1/6 slim barrels	<b>Running Amps</b>	3.0
<b>Keg Capacity - Warm Side</b>	2 1/6 slim barrels	<b>Voltage</b>	115/60/1
<b>Color-coded Digital Thermostats</b>	2 (Blue LED-Whites & Red LED-Reds)	<b>Plug Type</b>	NEMA-5-15P
<b>Temperature Range - Cold Side</b>	32-70°F (0 - 21.1°C)	<b>Cord Length</b>	8'
<b>Temperature Range - Warm Side</b>	40-70°F (4.4 - 21.1°C)	<b>Refrigerant</b>	R290
<b>Approval</b>	ETL Listed	<b>Charge oz</b>	4.9
<b>Compressor HP</b>	1/3	<b>Working High/Low Pressure</b>	300 psig / 150 psig

<b>Exterior</b>	18 gauge stainless steel top, 22 gauge solid doors, 24 gauge steel front, sides and back, black vinyl
<b>Interior</b>	20 gauge stainless steel floor and walls
<b>Ventilation</b>	Front ventilated
<b>Plumbing</b>	Automatic condensate evaporator, no drain connection required. Evaporator condensate has been plumbed to a condensate pan located in the compressor housing.
<b>Insulation</b>	Foamed-in-place using high density, CFC-free polyurethane; 2" top, walls and floor
<b>Accessories</b>	Casters or 6" fixed legs (order separately)

**Dimensions**



  
**Toll-Free: 1-866-327-4159**  
[www.micromatic.com](http://www.micromatic.com)

**West**  
 19791 Bahama St.  
 Northridge, CA 91324  
 Tel. (818) 701-9765  
 Fax. (818) 701-9844

**Central**  
 10726 North Second St.  
 Machesney Park, IL 61115  
 Tel. (815) 968-7557

**Southeast**  
 2386 Simon Ct.  
 Brooksville, FL 34604  
 Tel. (352) 799-6331

**Northeast**  
 4601 Saucon Creek Rd.  
 Center Valley, PA 18034  
 Tel. (610) 625-4464  
 Fax. (610) 625-4466