



RF-4

Project: _____	AIA# _____
Item #: _____ Qty: _____	SIS# _____
Model #: _____	

Rinsers Faucet

RF	RF-4, RF-6
-----------	------------


Standard Features

- Stainless steel construction

Specifications

Plumbing

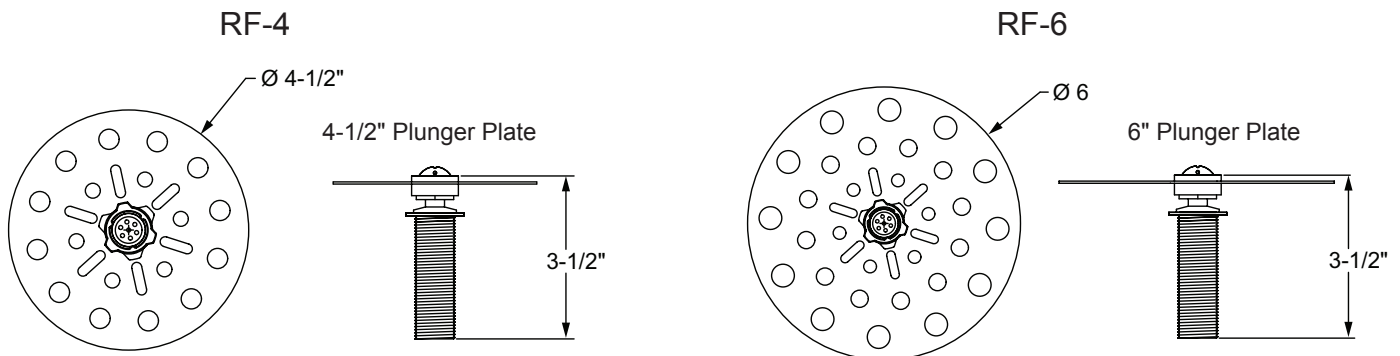
- Accepts 3/8" cold water lead
- 1.2 gallons per minute
- NSF/ANSI 372 listed for low lead compliance

<p>03012383 Rinsers Faucet Assembly</p>	 Intertek <small>4004503</small> <small>Conforms to NSF/ANSI STD 372</small>
---	---

Rinsers Faucet Installation Notes

- Unit does not provide a 1" air gap
- Must be installed with external backflow prevention to meet applicable federal, state, and local plumbing code requirements.
- Install in-line water pressure regulator (included)
- A separate shut-off valve is recommended (not included)

Drawings



<p>Glastender, Inc. • 5400 N Michigan Rd • Saginaw, MI • 48604-9780 989.752.4275 • 800.748.0423 • Fax 989.752.4444 www.glastender.com</p>	<p>Approval/Notes:</p>
<p>Specifications subject to change without notice. For current specifications please visit our website.</p>	