



Evo America, LLC
 20360 SW Avery Ct.
 Tualatin, OR 97062
 503-626-1802
 evoamerica.com

Project: _____
 Location: _____
 Item #: _____ Qty: _____
 Model #: _____

AIA #

SIS#

11-0126-ATK

Model# **11-0126-ATK**

Trim Kit for Evo® 25E Cooktop



Evo Cooktop sold separately.

SHORT FORM SPECIFICATIONS:

The Evo 11-0126-ATK Trim Kit is designed for easy installation of the Evo Affinity 25E Circular Cooktop drop-in unit to countertop cutout. The Trim Kit is constructed of 304 16 and 18 gauge stainless steel. All exposed surfaces have a number 4 finish. *Evo Cooktop sold separately.*

Square Insert

ACCESSORY

Designed For Easy Installation of the Affinity 25E Drop-in Cooktop

- Allows drop-in installation of Evo Affinity 25E to countertop cutout.
- 16-gauge and 18-gauge stainless steel construction with #4 brushed finish on outside surfaces.
- Stainless steel cabinet construction for easy cleaning and weather resistance.
- Corners are fully welded, ground smooth and blended.



Shown with 25E Installed

Data

Part #	For Evo Model	Trim Kit Dimensions			Trim Kit Weight
		H	W	D	
11-0126-ATK	Affinity 25E	9 5/8" 245mm	34 1/2" 876mm	29" 737mm	17 lbs 7.7 kg

Due to ongoing product improvement, specifications are subject to change without notice.



Approvals:

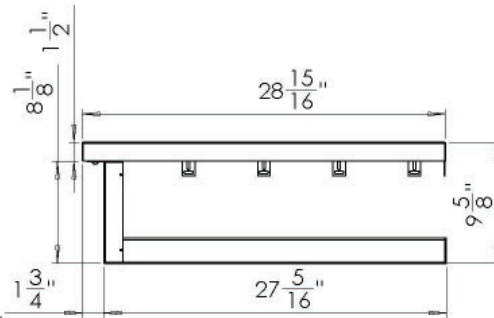
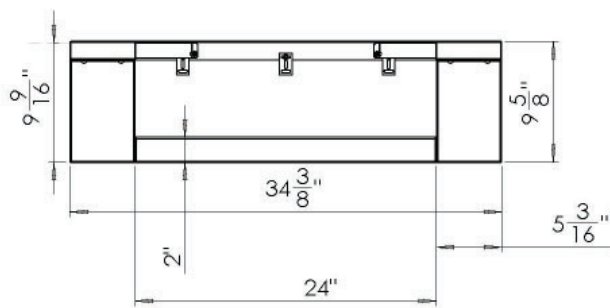
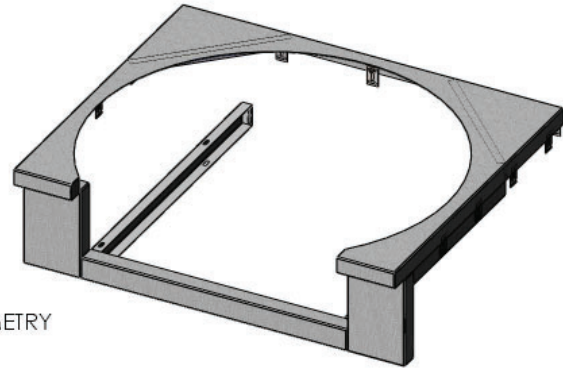
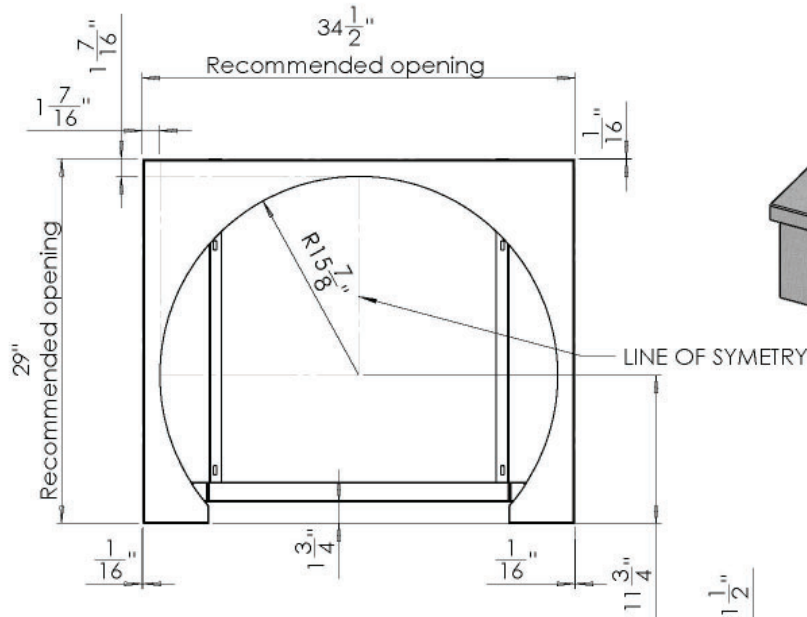
Available At:



Model# 11-0126-ATK

Trim Kit for Evo® 25E Cooktop

Evo Cooktop sold separately.



Evo America, LLC, 20360 SW Avery Ct., Tualatin, OR 97062
Ph 503-626-1802 • evoamerica.com • sales@evoamerica.com

Evo is protected under U.S. Patents 9,897,328, 9,869,474, 10,139,113, 9,903,595, 10,842,540, 7,825,353 and U.S. Patents Pending.