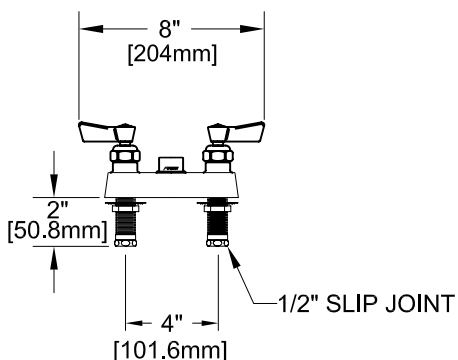
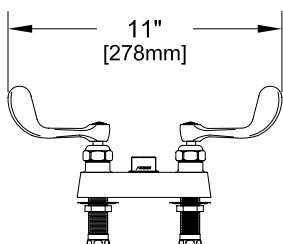


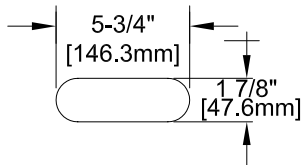
4" DECK MOUNT CONTROL VALVE W/ LEVER HANDLES



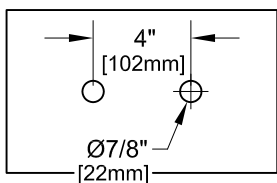
4" DECK MOUNT CONTROL VALVE W/ WRIST HANDLES



FOOTPRINT:



ROUGH-IN:



PRODUCT NAME: STAINLESS STEEL
4" DECK MOUNT CONTROL VALVE

MODEL:
 67458 RIGID OUTLET W/ LEVER HANDLES
 67466 RIGID OUTLETW/ WRIST HANDLES

FEATURES

CONTROL VALVE

- * 4" C/C DECK MOUNT
- * INTERNAL SPRING LOADED CHECK VALVES
- * CONCENTRICS
- * STAINLESS STEEL CONSTRUCTION
- * SWIVELLING SEAT DISKS
- * HOT SIDE STEM - RIGHT HAND
- * COLD SIDE STEM - LEFT HAND
- * LEVER HANDLES OR WRIST HANDLES

SYSTEM LIMITS

- * TEMP: 40°F MIN. TO 140°F MAX.

SHIPPING WEIGHT

- * 5.0 LBS

* NSF 61-9 APPROVED & LISTED
www.truesdail.com