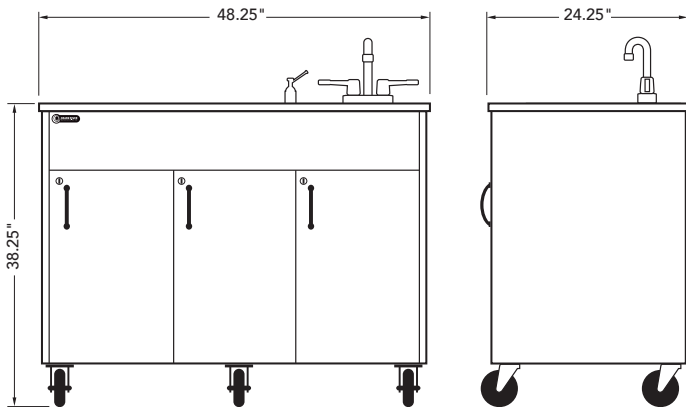


ADVANTAGE S1D MAPLE

It's your time to shine with our Advantage S1D self-contained, portable, hot water, handwashing sinks. Wash your hands in this NSF-certified, easily cleaned, sleek, and most importantly, spaciouly functional model. Stainless steel countertops and a deep single stainless sink basin with top-fill, liquid soap dispenser have you reflecting on everything but your handwashing code compliance decisions.

Yes, it's easy on the eyes, but it's also out-of-the-box ready with quick-connect tanks stored in the three lockable cherry or maple woodgrain cabinets. It's time to accelerate your on-demand, hot water handwashing code-compliant expectations.



ADAVM-SS-SS1DN

| Model Name | Advantage S1D |
|--------------------------------|--|
| NSF Certified | Yes |
| LivingGreen Certified | Yes |
| SACERS Rating | 12, 3.4, 5.1, 5.2 |
| CARB 93120 Phase 2 | Yes |
| Electrical Requirements | 110V, 20A Dedicated Outlet and Breaker |
| On-Demand Hot Water | Approx. 40°F Above Water Temperature |
| GPM | 0.50 |
| Approx Handwashings | 45-60 (5 gallon tank) |
| Product Dimensions | 48.25"W x 24.25"D x 38.25"H |
| Product Weight | 193 lbs. |
| Basin | Deep Single Stainless Steel |
| Basin Dimensions | 14" W x 10" L x 9.625" D |
| Countertop Material | Stainless Steel |
| Cabinet Material | Phthalate, Lead Free Millwork |
| Cabinet Color | Maple Options: Black, White |
| Fresh Water Tank | 5 Gallon Capacity, FDA Approved |
| Waste Water Tank | 6 Gallon Capacity, FDA Approved |
| Faucet Style | ADA Compliant Wrist Action Handles |
| Door Lock | Keyless |
| Soap Dispenser | Liquid Only, Countertop Mount |
| Cabinet Wheels | 5" Front Locking/Swivel Casters |
| Warranty | 2 Year |

Minimum Operating Requirements

- Each sink must use a grounded, dedicated 110V, 20A circuit breaker
- Sinks must be used on a dry, level indoor surface
- Extension cord must be 12/3, rated at 20A or higher
- Water must meet EPA standards (PH between 7.0 and 9.0)

- BEAUTY + WELLNESS
- EDUCATION + CLASSROOM
- FOOD SAFETY
- HEALTHCARE
- RETAIL



IMPORTANT!
Consult with your state and local environmental health official to confirm usage of portable sinks in place of plumbing.

GREATER NASHVILLE AREA

call 1.866.663.1982

OzarkRiver.com