



ATLAS METAL

1135 N.W. 159th DRIVE, MIAMI, FLORIDA 33169

TEL 305.625.2451

TOLL FREE 800.762.7565

FAX 305.623.0475

WWW.ATLASFOODSERV.COM

SALES@ATLASFOODSERV.COM

Project: _____

Item No.: _____

Quantity: _____

SELF LEVELING DISPENSERS



WMCT-1014

TRAY DISPENSER

Wall Mounted Canilever Tray Dispenser

- WMCT-1014
- WMCT-1216
- WMCT-1418
- WMCT-1520
- WMCT-1622

SPECIFICATIONS

The cabinet housing construction of the model WMCT shall be heavy duty grade 18-8 stainless steel and the back panel is reinforced for suspension on the wall mounted bracket.

WALL MOUNTING BRACKET: Dispensers shall be furnished with concealed heavy gauge stainless steel mounting bracket, for wall mounting lag or toggle bolts.

TRAY CARRIER: The tray platform shall be grade 18-8 stainless steel #3 finish.

SELF LEVELING: The dispensing height shall be field adjustable by adding or removing extension springs, located behind the stainless steel access panel the tray platform shall be self leveling with heavy duty bearings and bearing guides.

TRAY DOLLY (optional): Shall be constructed of heavy gauge grade 18-8 stainless steel, 4" heavy duty swivel casters, gray vinyl non-marking corner bumpers.

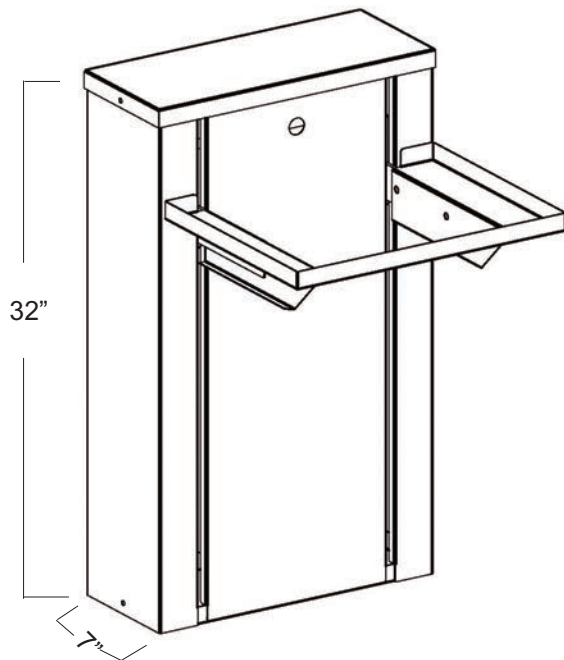
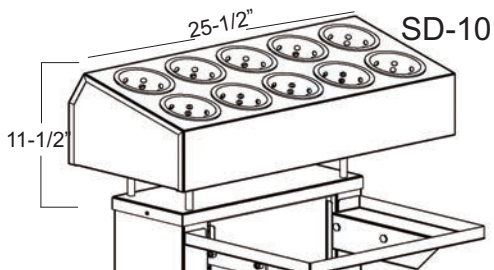
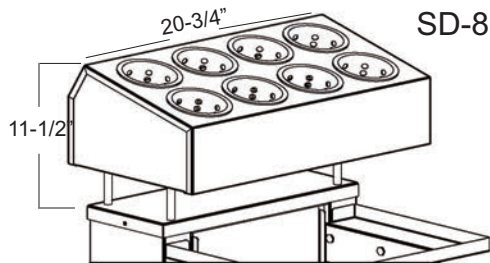
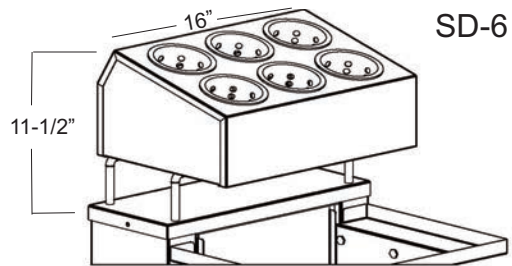
Specifications subject to change without notice.

STANDARD FEATURES

- Tray capacity approx. 100 to 150 trays per stack
- All stainless steel construction
- Tray capacities vary with the size and type of trays used
- Total load capacity: 250 LBS

ACCESSORIES

- Tray Dolly
- Silverware dispenser
 - SD-6 - 6 hole - with nylon cylinders
 - SD-8 - 8 hole - with nylon cylinders
 - SD-10 - 10 hole with nylon cylinders
- ND - Napkin dispenser



WMCT: WALL MOUNTED CANTILEVER TRAY/DISPENSER

MODEL	MAXIMUM TRAY SIZE	L X W	SHIPPING WT. (lbs.)
WMCT-1014	10-7/8" X 15" (27.6 X 38.1cm)	20" X 17" (50.8 X 43.2cm)	58 (26.3kg)
WMCT-1216	12-5/8" X 16-3/8" (32.1 X 41.6cm)	20" X 17" (50.8 X 43.2cm)	58 (26.3kg)
WMCT-1418	14-5/8" X 18-3/8" (37.1 X 46.7cm)	26" X 17" (66 X 43.2cm)	74 (33.6kg)
WMCT-1520	15-5/8" X 20-3/8" (39.7 X 51.7cm)	28" X 17" (71.1 X 43.2cm)	77 (34.9kg)
WMCT-1622	16-5/8" X 22-3/8" (42.2 X 56.8cm)	30" X 17" (76.2 X 43.2cm)	83 (37.6kg)