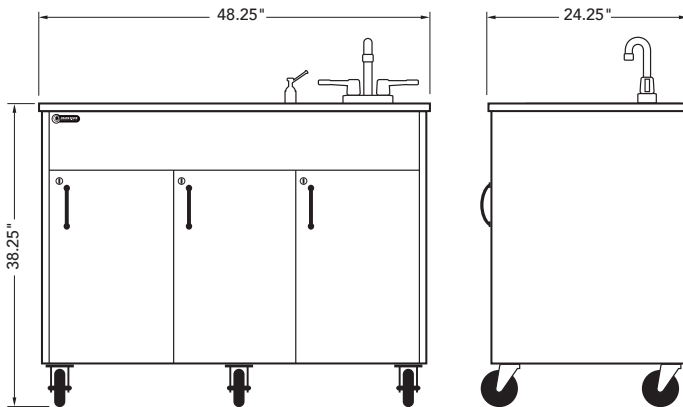


## ADVANTAGE S1D WHITE

It's your time to shine with our Advantage S1D self-contained, portable, hot water, handwashing sinks. Wash your hands in this NSF-certified, easily cleaned, sleek, and most importantly, spaciouly functional model. Stainless steel countertops and a deep single stainless sink basin with top-fill, liquid soap dispenser have you reflecting on everything but your handwashing code compliance decisions.

Yes, it's easy on the eyes, but it's also out-of-the-box ready with quick-connect tanks stored in the three lockable cherry or maple woodgrain cabinets. It's time to accelerate your on-demand, hot water handwashing code-compliant expectations.



## ADAVW-SS-SS1DN

Model Name	Advantage S1D
<b>NSF Certified</b>	Yes
<b>LivingGreen Certified</b>	Yes
<b>SACERS Rating</b>	12, 3.4, 5.1, 5.2
<b>CARB 93120 Phase 2</b>	Yes
<b>Electrical Requirements</b>	110V, 20A Dedicated Outlet and Breaker
<b>On-Demand Hot Water</b>	Approx. 40°F Above Water Temperature
<b>GPM</b>	0.50
<b>Approx Handwashings</b>	45-60 (5 gallon tank)
<b>Product Dimensions</b>	48.25"W x 24.25"D x 38.25"H
<b>Product Weight</b>	193 lbs.
<b>Basin</b>	Deep Single Stainless Steel
<b>Basin Dimensions</b>	14" W x 10" L x 9.625" D
<b>Countertop Material</b>	Stainless Steel
<b>Cabinet Material</b>	Phthalate, Lead Free Millwork
<b>Cabinet Color</b>	White Options: Black, Maple
<b>Fresh Water Tank</b>	5 Gallon Capacity, FDA Approved
<b>Waste Water Tank</b>	6 Gallon Capacity, FDA Approved
<b>Faucet Style</b>	ADA Compliant Wrist Action Handles
<b>Door Lock</b>	Keyless
<b>Soap Dispenser</b>	Liquid Only, Countertop Mount
<b>Cabinet Wheels</b>	5" Front Locking/Swivel Casters
<b>Warranty</b>	2 Year

### Minimum Operating Requirements

- Each sink must use a grounded, dedicated 110V, 20A circuit breaker
- Sinks must be used on a dry, level indoor surface
- Extension cord must be 12/3, rated at 20A or higher
- Water must meet EPA standards (PH between 7.0 and 9.0)

- BEAUTY + WELLNESS
- EDUCATION + CLASSROOM
- FOOD SAFETY
- HEALTHCARE
- RETAIL



**IMPORTANT!**  
Consult with your state and local environmental health official to confirm usage of portable sinks in place of plumbing.

**GREATER NASHVILLE AREA**

**call 1.866.663.1982**

**OzarkRiver.com**