

High Volume Sanitizer & PPE Access

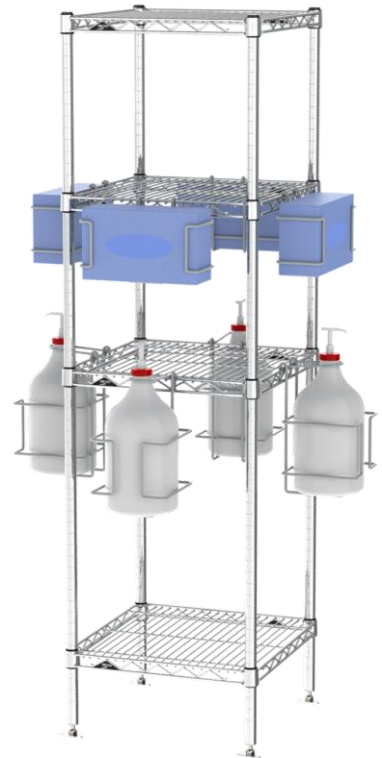
Metro® PPE Tree

Four-sided access increases availability of Sanitizer and PPE up to 4x in high traffic areas.

- Can be reconfigured in one, two, or three-side configurations.
- Shelves provide flexibility to station back-up supplies, other PPE, hold a waste container, or can be used for signage.
- The most flexible PPE Station available

Nominal Dimension

Model No.	Inches (D x W x H)	Millimeters (D x W x H)
CR181863-PPET	18 x 18 x 63	457 x 457 x 1600



NSF Components and ADA Compliant

**Sanitizer and Gloves not included*

Visit www.metro.com or call 1-800-992-1776.

L11-023

© 2020 InterMetro Industries Corporation, Wilkes-Barre, PA 18705



We put space to work.

an Ali Group Company



The Spirit of Excellence



We put space to work.

Item # _____

Job _____



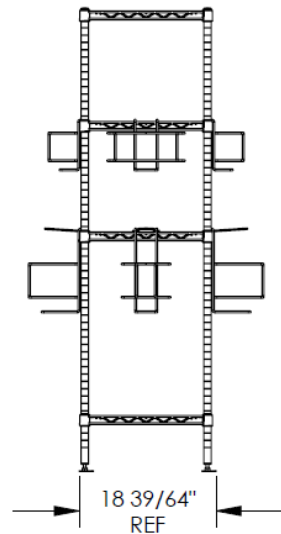
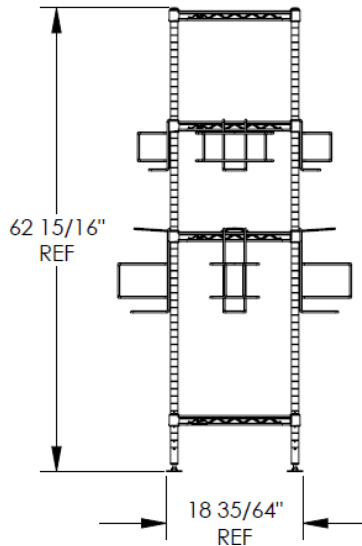
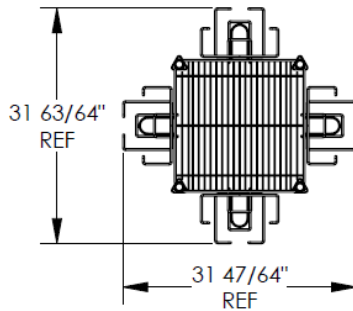
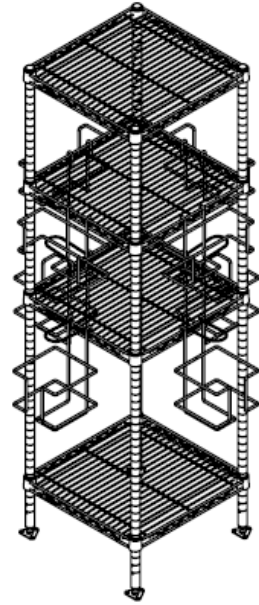
PPE Tree

Metro® PPE Tree

Comes with:

- (4) 1818NC - Chrome Shelves
- (4) 63P - Chrome Posts
- (4) GBH4K-S - Single Glove Box Holders*
- (4) SHK4-1G - 1 Gallon Sanitizer Holders*
- (4) SHK4-2L - 2 Liter Sanitizer Holders*

*Metroseal Gray with Microban®
Antimicrobial Protection



Unit Weights: 43lbs
NSF Components and ADA Compliant

All Metro Catalog Sheets are available on our website: www.metro.com



InterMetro Industries Corporation
 North Washington Street, Wilkes-Barre, PA 18705
 Product Information: U.S. and Canada: 1.800.992.1776
 Outside U.S. and Canada: www.metro.com/contactus

Information and specifications are subject to change without notice. Please confirm at time of order.

Copyright © 2020 InterMetro Industries Corp.