

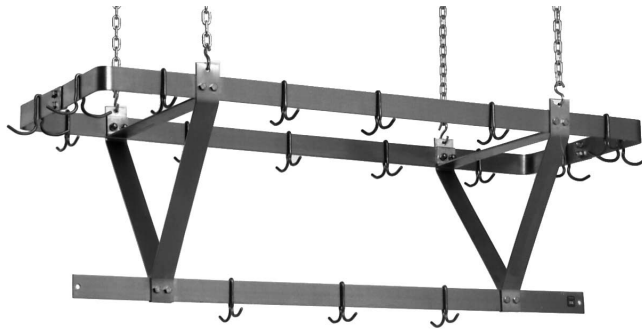


Profit from the Eagle Advantage®

Specification Sheet

Short Form Specifications

Eagle Ceiling Mounted Rack, model _____.
Constructed of 3/16" x 2" (aluminum or stainless steel) flat bar, bolted together. Triple bar construction, furnished with one stainless steel double prong sliding pot hook every 12". Provided with plated chain hangers for ceiling suspension.



Item No.:	_____
Project No.:	_____
S.I.S. No.:	_____

Racks—Ceiling Mounted

MODELS:

- | | |
|-----------------------------------|----------------------------------|
| <input type="checkbox"/> CM36APR | <input type="checkbox"/> CM36PR |
| <input type="checkbox"/> CM48APR | <input type="checkbox"/> CM48PR |
| <input type="checkbox"/> CM60APR | <input type="checkbox"/> CM60PR |
| <input type="checkbox"/> CM72APR | <input type="checkbox"/> CM72PR |
| <input type="checkbox"/> CM84APR | <input type="checkbox"/> CM84PR |
| <input type="checkbox"/> CM96APR | <input type="checkbox"/> CM96PR |
| <input type="checkbox"/> CM108APR | <input type="checkbox"/> CM108PR |
| <input type="checkbox"/> CM120APR | <input type="checkbox"/> CM120PR |
| <input type="checkbox"/> CM132APR | <input type="checkbox"/> CM132PR |
| <input type="checkbox"/> CM144APR | <input type="checkbox"/> CM144PR |

Design and Construction Features

- Racks are triple-bar construction.
- Supported with plated chain hangers supplied.
- Available in stainless steel or aluminum.
- Provided with double-pronged pot hooks.
- 20" (508mm) front-to-back.

Options / Accessories

- Additional sliding hooks
- All-welded construction

EAGLE GROUP

100 Industrial Boulevard
Clayton, DE 19938-8903 USA

Phone: 302-653-3000 • 800-441-8440

Fax: 302-653-2065

www.eaglegrp.com • www.eaglemh.com

For custom configuration or fabrication needs, contact our SpecFAB® Division.

Phone: 302-653-3000 • Fax: 302-653-2065 • e-mail: quotes@eaglegrp.com



AutoQuotes



EG10.12B Rev. 04/22

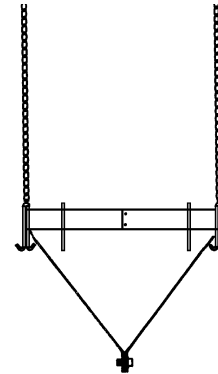
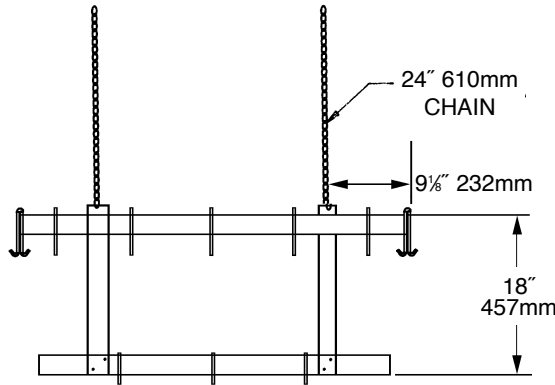
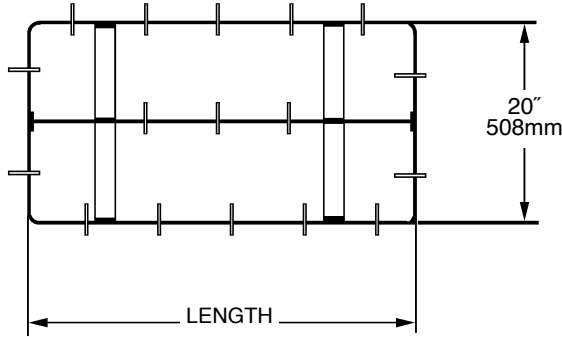
Spec sheets available for viewing, printing or downloading from our online literature library at www.eaglegrp.com

Eagle Foodservice Equipment, Eagle MHC, and SpecFAB® are divisions of Eagle Group. ©2022 by the Eagle Group



Item No.: _____
 Project No.: _____
 S.I.S. No.: _____

Ceiling Mounted Racks



ALUMINUM			STAINLESS STEEL			rack length	
model #	weight lbs.	weight kg	model #	weight lbs.	weight kg	in.	mm
CM36APR	28	12.7	CM36PR	41	18.6	28"	711
CM48APR	32	14.5	CM48PR	48	21.8	40"	1016
CM60APR	36	16.3	CM60PR	54	24.5	52"	1321
CM72APR	40	18.1	CM72PR	60	27.2	64"	1626
CM84APR	44	20.0	CM84PR	67	30.4	76"	1930
CM96APR	48	21.8	CM96PR	74	33.6	88"	2235
CM108APR	53	24.0	CM108PR	81	36.7	100"	2540
CM120APR	58	26.3	CM120PR	87	39.5	112"	2845
CM132APR	63	28.6	CM132PR	94	42.6	124"	3150
CM144APR	68	30.8	CM144PR	101	45.8	136"	3454

EAGLE GROUP
 100 Industrial Boulevard, Clayton, DE 19938-8903 USA
 Phone: 302-653-3000 or 800-441-8440 • Fax: 302-653-2065
 www.eaglegrp.com • www.eaglehmc.com

Printed in U.S.A.
 ©2022 by Eagle Group
 Rev. 04/22

Spec sheets available for viewing, printing or downloading from our online literature library at www.eaglegrp.com

Although every attempt has been made to ensure the accuracy of the information provided, we cannot be held responsible for typographical or printing errors. Information and specifications are subject to change without notice. Please confirm at time of order.