

**CORRECTIONAL
INSULATED HALF-SIZE
HOT CABINET
MODEL H-339-128-CZ
(FOR 12" X 20" PANS)**

FEATURES AND BENEFITS:

- Fully insulated Hi-Tensile aluminum half-size hot cabinet keeps prepared foods at serving temperatures. Ideal for transport.
- Powerful, yet efficient, 900 Watt heating system maintains the right temperature to properly hold products. Heats up to 200°F (93°C).
- Internal frame in body and door maintains structural rigidity.
- Field reversible insulated door prevents temperature loss. Standard with right hand hinging; left hand hinging available upon request.
- Safety conscious anti-microbial latch protects against spreading germs. Key locking latch for security.
- Latch and hinges mounted inboard.
- Channel pan supports for easy cleaning hold 12" x 20" pans on 2-3/4" centers.
- Heavy duty 5" swivel casters, two with brakes. Provides mobility when fully loaded.
- Also available in stainless steel.
- Stainless steel and Lexan security panel protects controls.



H-339-128-CZ



NSF/ANSI 4



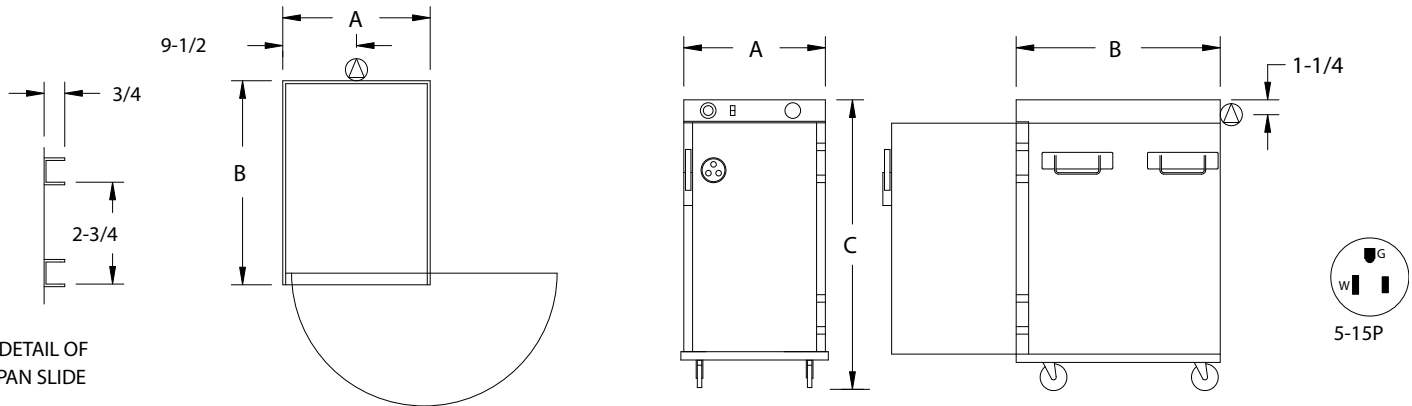
c US

ACCESSORIES and OPTIONS

(Available at extra cost):

- Pass-Thru Version
- Corner Bumpers
- Perimeter Bumper
- Various Caster Options
- Digital Thermometer
- 240 Volt Service
- Stainless Steel Construction

See page B-20 for accessory details.



CRES COR MODEL NO.	PAN			DIM "A"	DIM "B"	DIM "C"	INSIDE DIMENSIONS				WEIGHT ACT.
	CAP	SIZE		WIDTH	DEPTH	HEIGHT	WIDTH	DEPTH	HEIGHT		
H-339-128-CZ	8	12 x 20	IN	18-7/8	27-1/4	36-11/16	13-3/16	21-1/4	24-7/8	LBS	112
		305 x 510	MM	480	695	935	335	540	635	KG	51

NOTES: When ordering bumpers, add 2" to overall dimensions.
 ALL ALUMINUM CONSTRUCTION IS RIVETED, WELDED AND FINISHED.
 ALL EXPOSED FASTENERS ARE TAMPER PROOF.

CABINET:

- Body: .063 aluminum.
- Reinforcement: Internal framework of channels, 1 x 3/4 x .125.
- Insulation: Fiberglass, thermal conductivity (K factor) is .23 at 75°F. 1-1/2" in walls; 1" in door, top and bottom.
- Pan stop channels: Mounted to inside rear of cabinet and door.
- Bail handles (4): Two mounted to each side.

BASE:

- One piece construction, .190 aluminum.
- Casters: 5" dia., swivel, modulus tires, 1-1/4 wide, load cap. 250 lbs. each, temp. range -45°/+180°F. Delrin bearings. Front casters equipped with brakes.

DOOR:

- Field reversible.
- Formed .063 aluminum.
- Latch: Anti-microbial chrome plated steel, magnetic type with key lock; mounted inboard.
- Hinges: 11 ga. stainless steel, butt type.
- Gasket: Perimeter type, neoprene.
- Vent.

PAN SLIDES:

- Flat wire racks, .104 x 5/8 nickel chrome plated steel, spaced on 2-3/4" centers.

SECURITY PANEL:

- 18 ga. stainless steel with 3/16" polycarbonate window.

ELECTRICAL COMPARTMENT:

- Cover: Formed .100 aluminum fastened to cabinet top.
- Control panel: Formed .063 aluminum; black front.
- Thermostat: Electro-mechanical, room ambient to 200°F (93°C).
- Switch: Lighted ON-OFF rocker type.
- Power cord: Permanent 6 ft., 14/3 ga. with molded plug.
- Heaters (3): 300 Watts each.
- Thermometer.

POWER REQUIREMENTS:

- 900 Watts, 120 Volts, 60 Hz., single phase, 7.5 Amps., 15 Amp. service.

SHORT FORM SPECIFICATIONS

Cres Cor Correctional Half-Size Insulated Hot Cabinet Model H-339-128-CZ. Inner, outer and top liners of .063 aluminum, reinforced with channel frame. Security panel covers controls. Field reversible, formed .063 aluminum door. Fiberglass insulation in walls 1-1/2"; door, top and bottom 1". Welded and finished .190 aluminum base. (3) 300 Watt inner wall heaters, 120 Volts. Channel pan supports for (8) 12" x 20" pans. Anti-microbial, key lock latch. Two bail handles on each side. 5" swivel modulus casters, Delrin bearings. Load capacity 250 lbs. each. 1 year parts warranty. Provide the following accessories: _____ . CSA-US, CSA-C, CSA to NSF4 listed.