



T&S BRASS AND BRONZE WORKS, INC.

2 Saddleback Cove / P.O. Box 1088
Travelers Rest, SC 29690

Model No.

B-2730-3H

Item No.

Travelers Rest, SC: 800-476-4103 • Simi Valley, CA: 800-423-0150 • Fax: 864-834-3518 • www.tsbrass.com

This Space for Architect/Engineer Approval

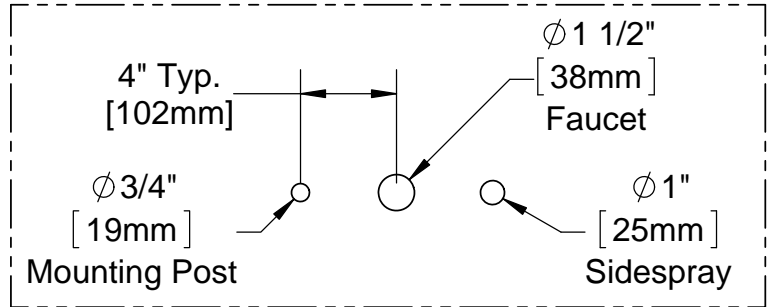
Job Name _____ Date _____

Model Specified _____ Quantity _____

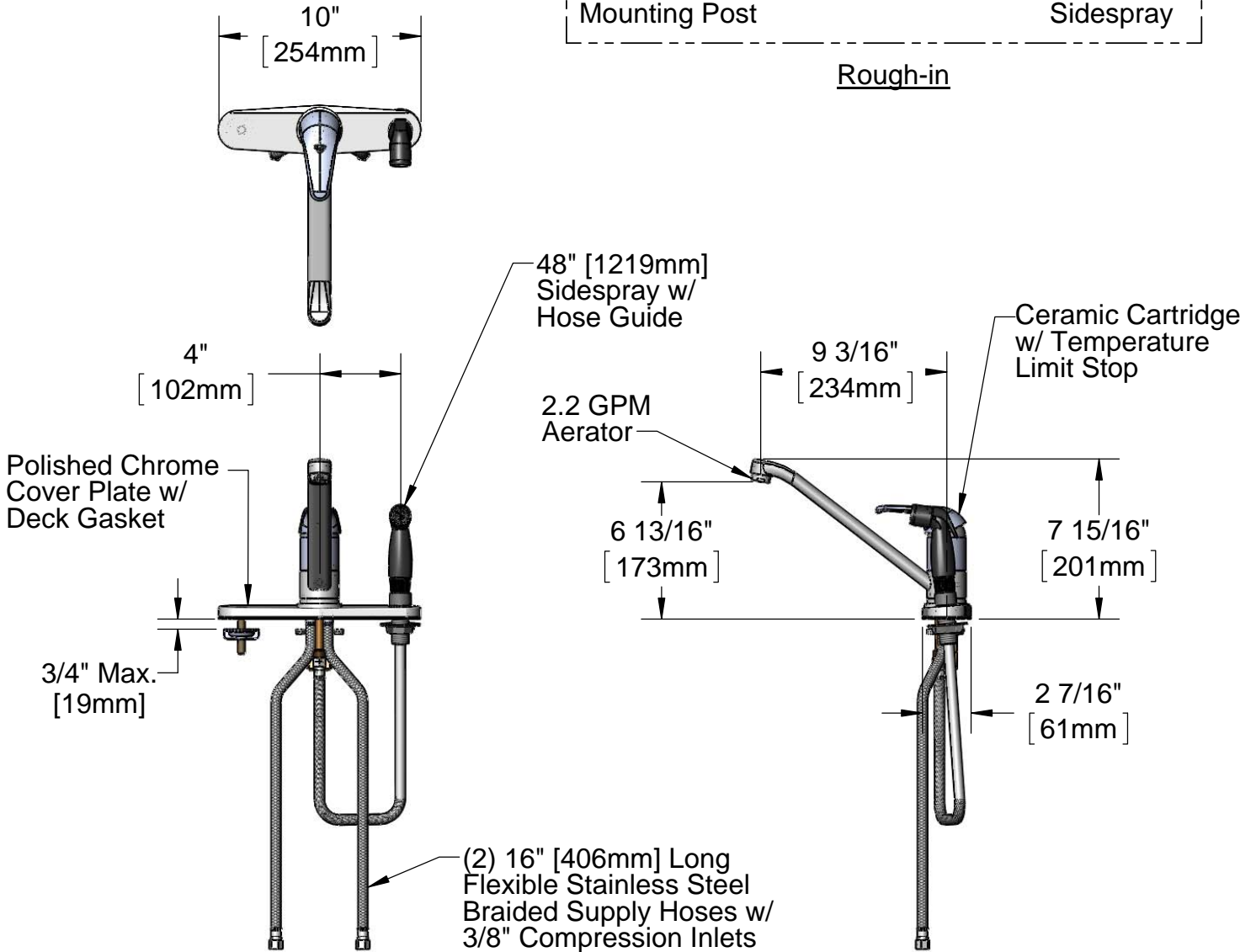
Customer/Wholesaler _____

Contractor _____

Architect/Engineer _____



Rough-in



Product Specifications:

Single Lever Deck Mount Faucet w/ 9" Swivel Spout, Flexible Supplies, 10" Cover Plate w/ Sidespray Opening, 48" Sidespray, & Ceramic Cartridge w/ Temperature Limit Stop

Drawn

DMH

Checked

KJG

Approved

JHB

Scale:

1:8

Date:

03/24/12



T&S BRASS AND BRONZE WORKS, INC.

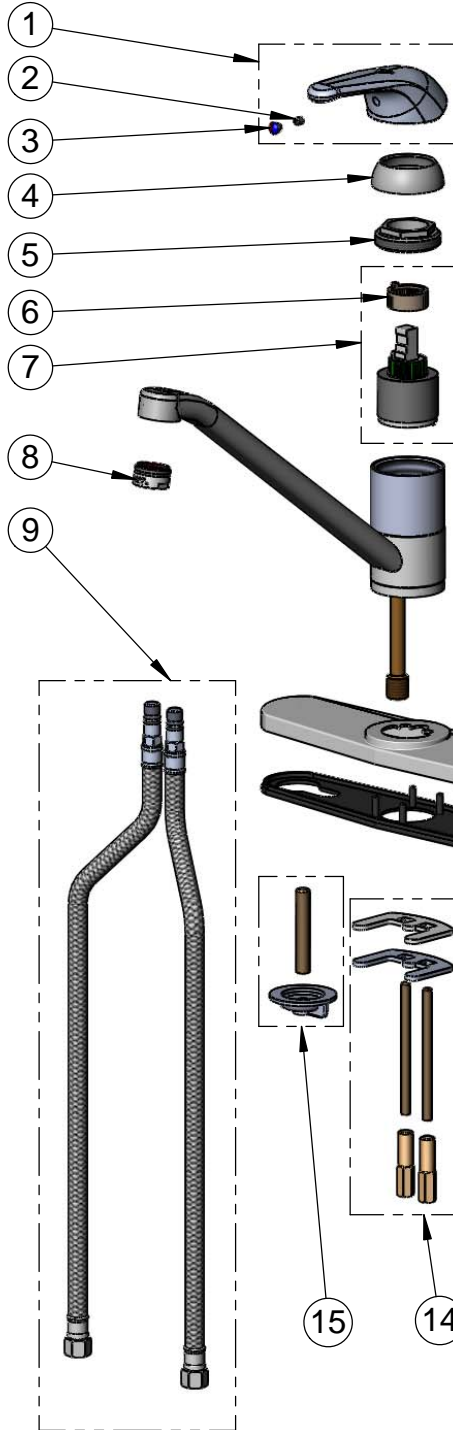
2 Saddleback Cove / P.O. Box 1088
Travelers Rest, SC 29690

Model No.

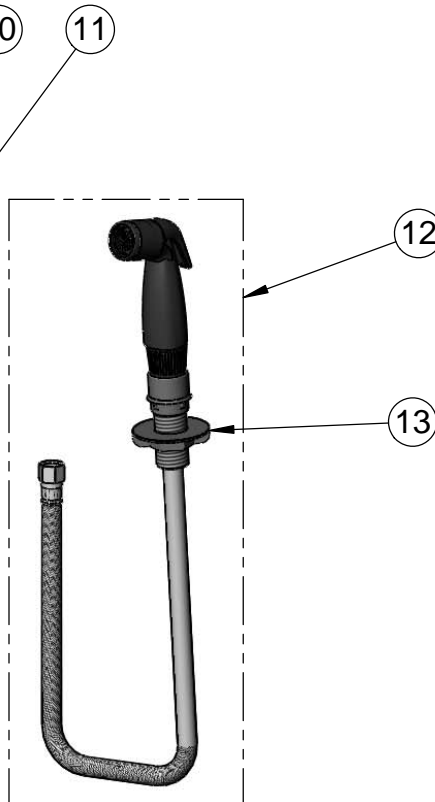
B-2730-3H

Item No.

Travelers Rest, SC: 800-476-4103 • Simi Valley, CA: 800-423-0150 • Fax: 864-834-3518 • www.tsbrass.com



ITEM NO.	SALES NO.	DESCRIPTION
1	013113-45	B-2710 Handle, Single Lever
2	016675-45	Set Screw
3	014173-45	Index, Temperature
4	016661-45	Trim Ring
5	016663-45	Locking Nut
6	015400-45	Limit Switch
7	013080-45	Cartridge, B-2730 & B-2731
8	016671-45	Aerator, 2.2 GPM - 15/16-27 Male
9	016879-45	Supply Hoses (2), 3/8" Comp.
10	018371-45	Cover Plate w/ Sidespray Hole
11	014160-45	Deck Plate Gasket
12	013842-45	SideSpray w/4' Hose
13	001496-45	Hose Guide
14	014163-45	Center Mounting Kit
15	014162-45	Mounting Post & Nut Kit



Note: Remove chrome plated escutcheon before installing through cover plate.

Product Specifications:

Single Lever Deck Mount Faucet w/ 9" Swivel Spout, Flexible Supplies, 10" Cover Plate w/ Sidespray Opening, 48" Sidespray, & Ceramic Cartridge w/ Temperature Limit Stop

Drawn

DMH

Checked

KJG

Approved

JHB

Scale:

NTS

Date:

03/24/12