



U-Star's undercounter refrigerators are constructed of heavy duty stainless steel both inside and out making them strong and durable enough to survive in any kitchen environment. These units are perfect for adding more storage space anywhere you need. The flat stainless steel countertop allows for them to be used as a separate workstation. All undercounter units come with 6" casters and plastic coated wire shelving. The front digital controllers and LED display makes it easy to adjust the interior temperature. These models are ETL Listed and ETL Sanitation. They are backed with a 1 year warranty on parts and labor and a 5 year warranty on the compressor.

Undercounter Refrigerators

- 430 series stainless steel exterior
- 304 series stainless steel interior
- Precise digital temperature controller with LED display
- Foamed-in-place polyurethane high density cell insulation throughout the entire cabinet
- Automatic defrosting
- Removable door gasket
- Recessed door handles
- (4) 6" casters (2 locking and 2 non-locking)
- 1 year warranty on parts and labor
- 5 year warranty on the compressor

USUCRF-27



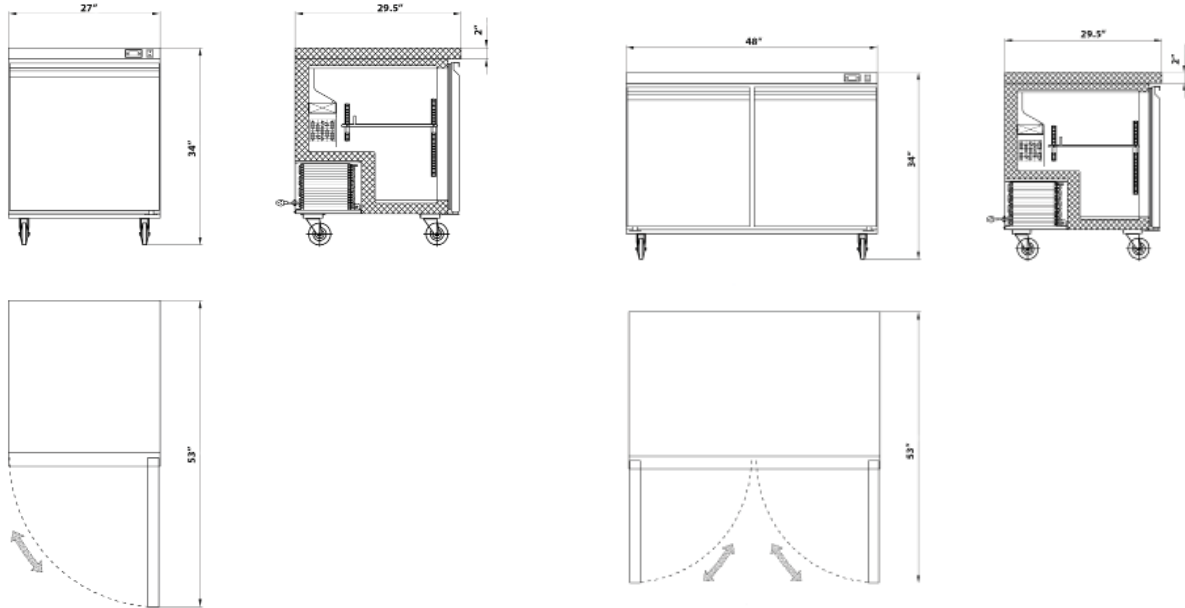
USUCRF-48



Specifications

Model	Doors	Shelves	Net Volume (Cubic Ft)	Overall Dimensions WxDxH (inches)			HP	Voltage	Amps	Gross Weight
USUCRF-27	1	1	8	27"	29.5"	35"	1/5	115V	4.6	173 lbs
USUCRF-48	2	2	12	48"	29.5"	35"	1/3	115V	5.4	213 lbs
USUCRF-60	2	2	17.2	60"	29.5"	35"	1/3	115V	6.9	285 lbs
USUCRF-72	3	3	20.9	72"	29.5"	35"	1/2	115V	9	350 lbs

Plan Views



USUCRF-27

USUCRF-48

Features

Refrigeration System

- Refrigeration units use environmentally friendly R134A refrigerant
- Maintain a temperature range of 32°-41°F
- Rugged built axial evaporator fans run efficiently with low velocity and high volume air flow

Cabinet Construction

- Exterior is constructed of 430 stainless steel including the doors
- Interior is constructed of 304 stainless steel
- The cabinet is insulated throughout with a foamed-in-place high density cell polyurethane insulation

Shelving

- Adjustable plastic coated steel shelves that have a load capacity of up to 90 lbs per shelf
- Specially designed stainless steel racking system allows for easy shelf height adjustment and gives the user the ability to slide out the shelf to better reach the food inside

Electrical Control

- Electric LED temperature controller provides a digital display of cabinet temperatures and allows for easy temperature adjustments when necessary
- Temperature controller initiates automatic defrost schedule for worry free use
- 7 foot power cord with NEMA 5-15 plug



Door(s)

- Stainless steel exterior with matching aluminum liner on the inside
- Positive self-closing doors with microswitch that shuts the evaporator fans off when the door is open
- Recessed handles are built into the door for easy opening and closing
- Removable door gasket for easy cleaning

Model Features

- 6" casters come standard on all stainless steel models 2 locking and 2 non-locking.