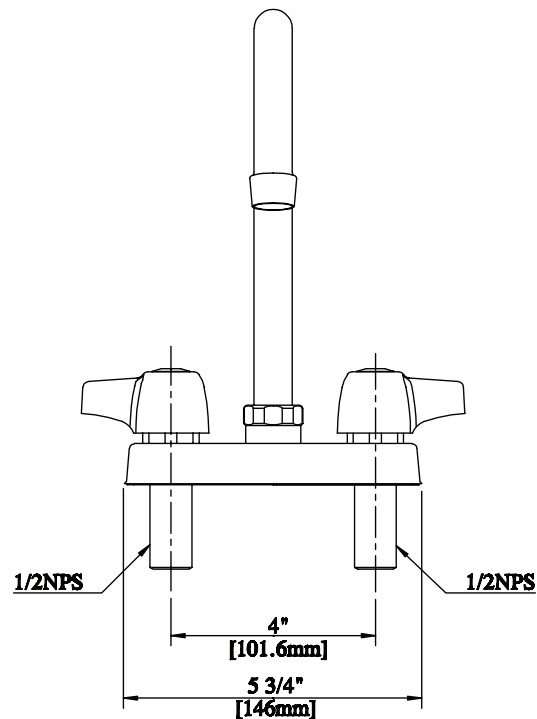
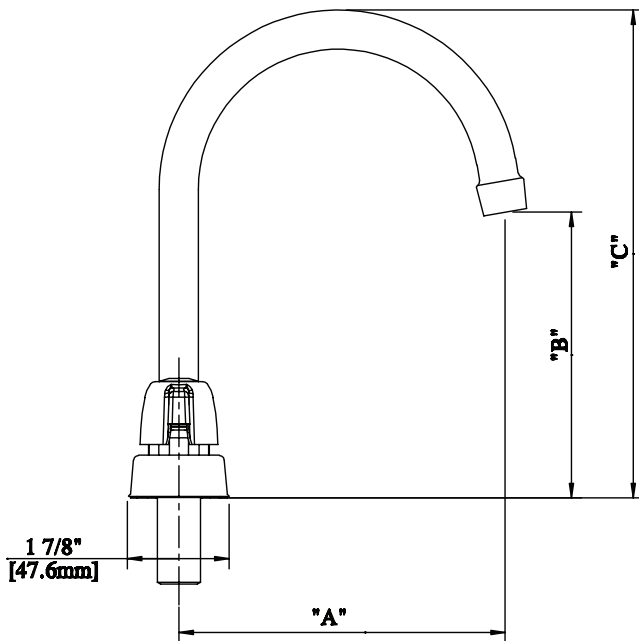
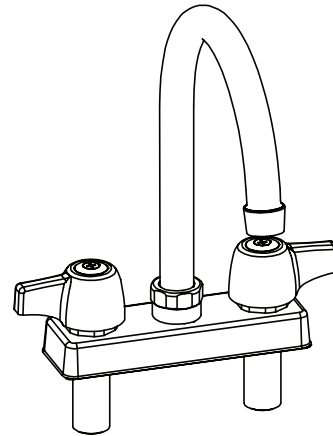




Use your smart phone to scan the above QR code to visit our website: www.bk-resources.com

4" Deck Mount Standard Duty Faucet with Gooseneck Spout

Model: BKD-xG-G, Lead Free



Options:



BKF-C414-VR Vandal Resistant Aerator - .5 GPM

Product Specifications:

- 1/4 Turn Ceramic Cartridges
- Color Coded Hot & Cold Indicators
- Double O-Ring Spout Seal
- High Polished Nickel Chrome Finish
- Lead Free Compliant
- Full Replacement Parts Available

Product Detail:

Model Number	DIM. A	DIM. B	DIM. C
BKD-3G-G	3.5" [90.0]	5.13" [130]	7.88" [200]
BKD-5G-G	6" [150]	5" [127]	9.5" [241]
BKD-8G-G	8.5" [215]	7.5" [190.5]	12.38" [314.3]
BKD-3MG-G	3" [76.2]	3" [76.2]	5.25" [133.4]

Certifications:



PRODUCT SPECIFICATION SHEET

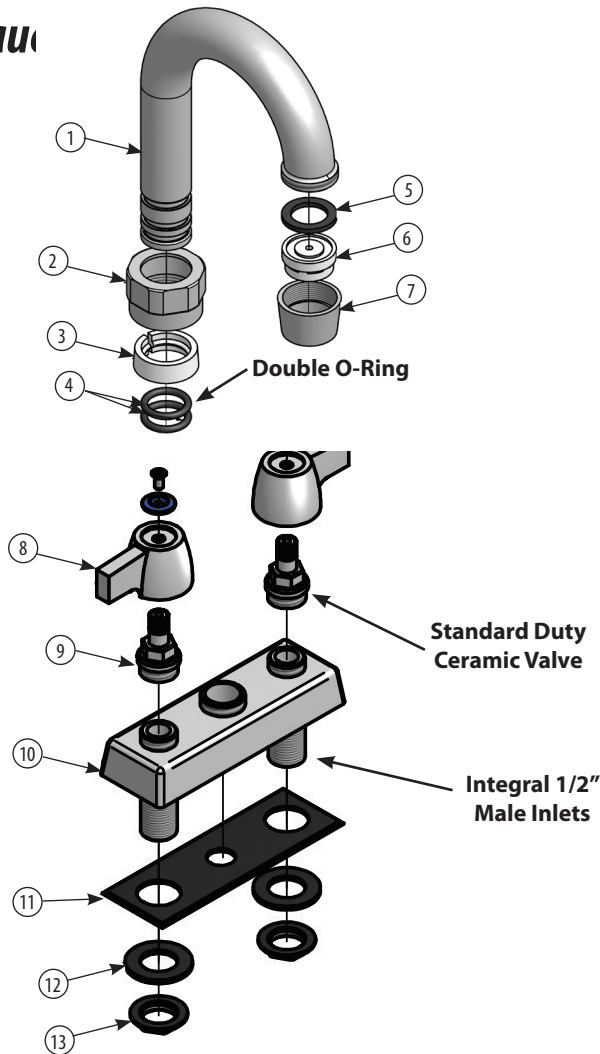
RESOURCES





4" Deck Mount Standard Duty Faucet with Gooseneck Spout

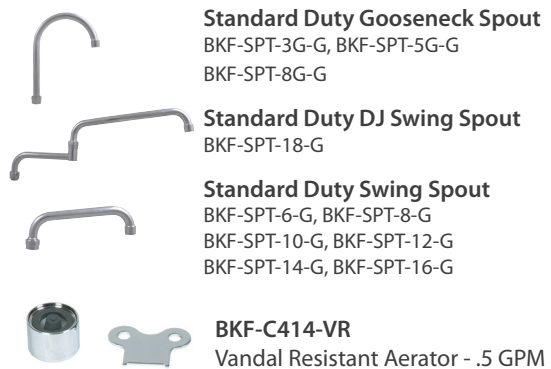
Model: BKD-xG-G, Lead Free



Exploded Parts Detail:

Diagram #	Quantity	Part Number	Description
1	1	BKF-SPT-XX-G	Gooseneck Spout
2	1	BKF-SPT-NUT	Spout Nut
3	1	BKF-SPT-SPACER	Spout Spacer
4	2	BKF-SPT-ORING	O-Rings
5	1	BKF-SPT-AER-W	Aerator Washer
6	1	BKF-SPT-AER	Aerator
7	1	BKF-SPT-NOZZLE	Nozzle
8	2	BKF-DBH	Handle
9	2	(1) BKF-W-CV-G & (1) BKF-W-HV-G	Cartridge
10	1	BKD-XX-G	Faucet Body
11	1	BKD-BASE	Base
12	2	BKD-MW	Mounting Washer
13	2	BKD-MN	Mounting Nut

Optional Spouts & Parts:



PRODUCT SPECIFICATION SHEET

RESOURCES

