



T&S BRASS AND BRONZE WORKS, INC.

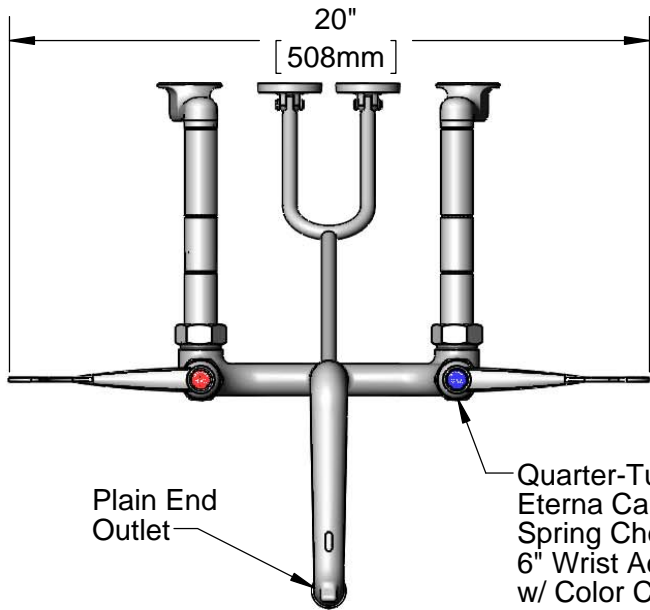
2 Saddleback Cove / P.O. Box 1088
Travelers Rest, SC 29690

Model No.

B-0652

Item No.

Travelers Rest, SC: 800-476-4103 • Simi Valley, CA: 800-423-0150 • Fax: 864-834-3518 • www.tsbrass.com



This Space for Architect/Engineer Approval

Job Name _____ Date _____

Model Specified _____ Quantity _____

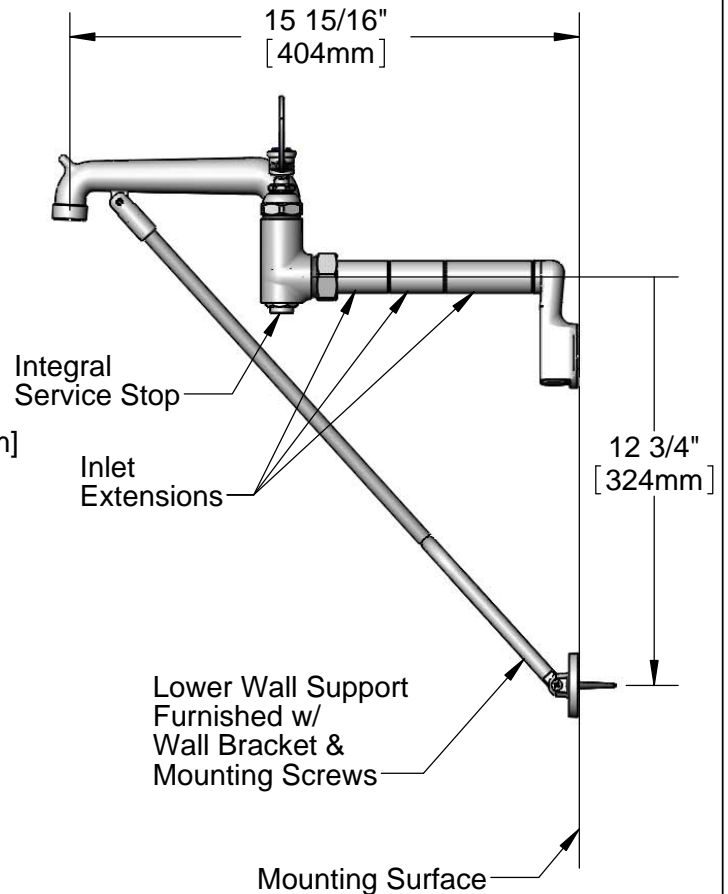
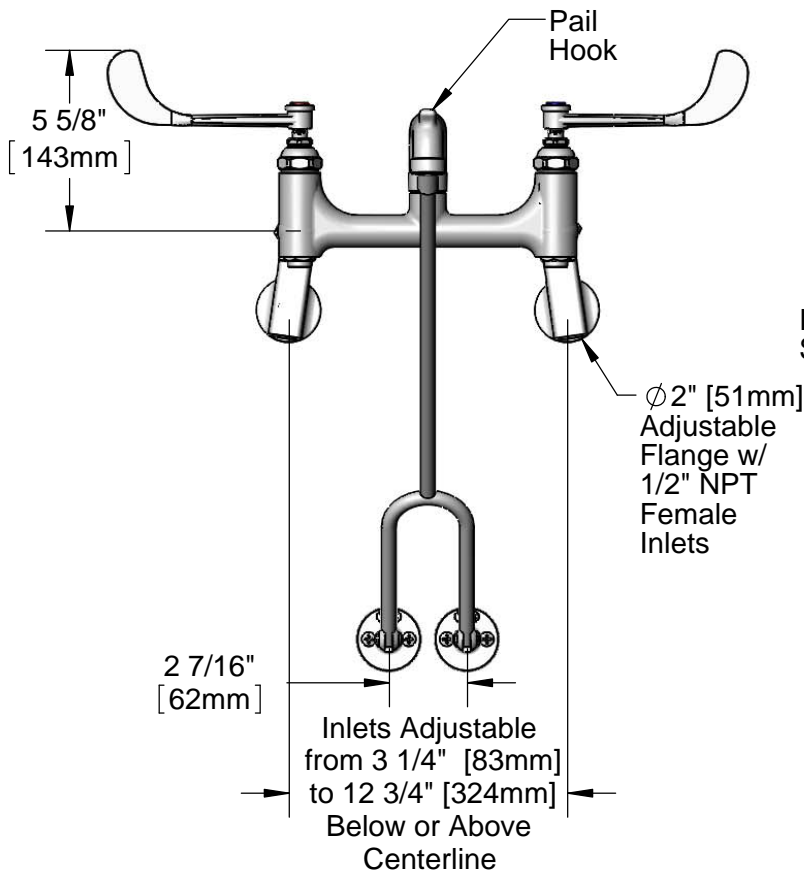
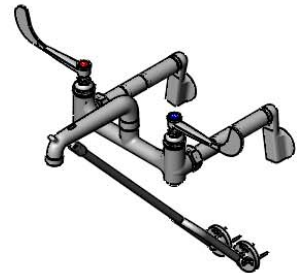
Customer/Wholesaler _____

Contractor _____

Architect/Engineer _____



ADA Compliant



Product Specifications:

Adjustable Wall Mount Service Sink Faucet, Polished Chrome Finish, Quarter-Turn Eterna Cartridges w/ Spring Checks, 6" Wrist Action Handles, Spout w/ Plain End Outlet, Built-In Service Stops, Lower Support Rod & 1/2" NPT Extended Inlets

Product Compliance:

ASME A112.18.1 / CSA B125.1
NSF 61 - Section 9
NSF 372 (Low Lead Content)
ANSI A117.1 (ADA)



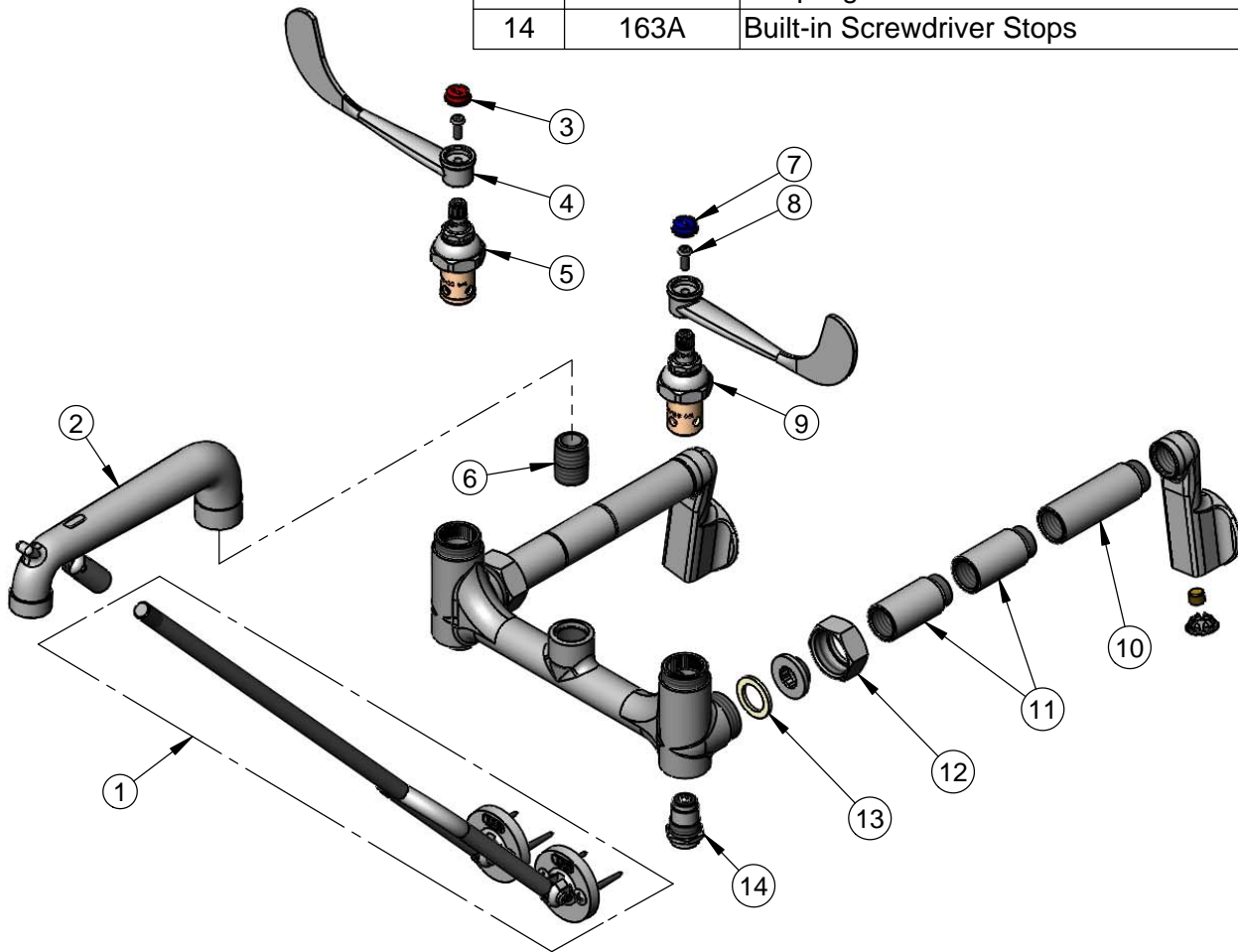
T&S BRASS AND BRONZE WORKS, INC.
 2 Saddleback Cove / P.O. Box 1088
 Travelers Rest, SC 29690

Model No.
B-0652

Item No.

Travelers Rest, SC: 800-476-4103 • Simi Valley, CA: 800-423-0150 • Fax: 864-834-3518 • www.tsbrass.com

ITEM NO.	SALES NO.	DESCRIPTION
1	015476-40	Lower Support Rod w/ Mounting Screws
2	016844-40	Plain End Spout w/ Lower Clevis - Polished Chrome
3	001194-45	Red Index - HW
4	B-WH6	6" Wrist Action Handle
5	012443-40	Quarter-Turn Eterna Cartridge, RTC w/ Spring Check
6	002534-25	Close Nipple, 1/2" NPT
7	001686-45	Blue Index - CW
8	000925-45	Lab Handle Screw
9	012442-40	Quarter-Turn Eterna Cartridge, LTC w/ Spring Check
10	000610-25	Extension, 2 3/4" Long
11	000611-25	Extension, 1 3/4" Long
12	000721-25	Flange Coupling Nut
13	001019-45	Coupling Nut Washer
14	163A	Built-in Screwdriver Stops



Product Specifications:

Adjustable Wall Mount Service Sink Faucet, Polished Chrome Finish, Quarter-Turn Eterna Cartridges w/ Spring Checks, 6" Wrist Action Handles, Spout w/ Plain End Outlet, Built-In Service Stops, Lower Support Rod & 1/2" NPT Extended Inlets

Product Compliance:

ASME A112.18.1 / CSA B125.1
 NSF 61 - Section 9
 NSF 372 (Low Lead Content)
 ANSI A117.1 (ADA)