

"CCB-R-H" CHOPPING BLOCK COLLECTION

End Grain Wood Cutting Board - Round, 3" Thick w/Metal Handles

FEATURES:

- Northern Hard Rock Maple, 3" Thick
- Metal Handles
- Edge or End Grain Construction
- Oil Finish

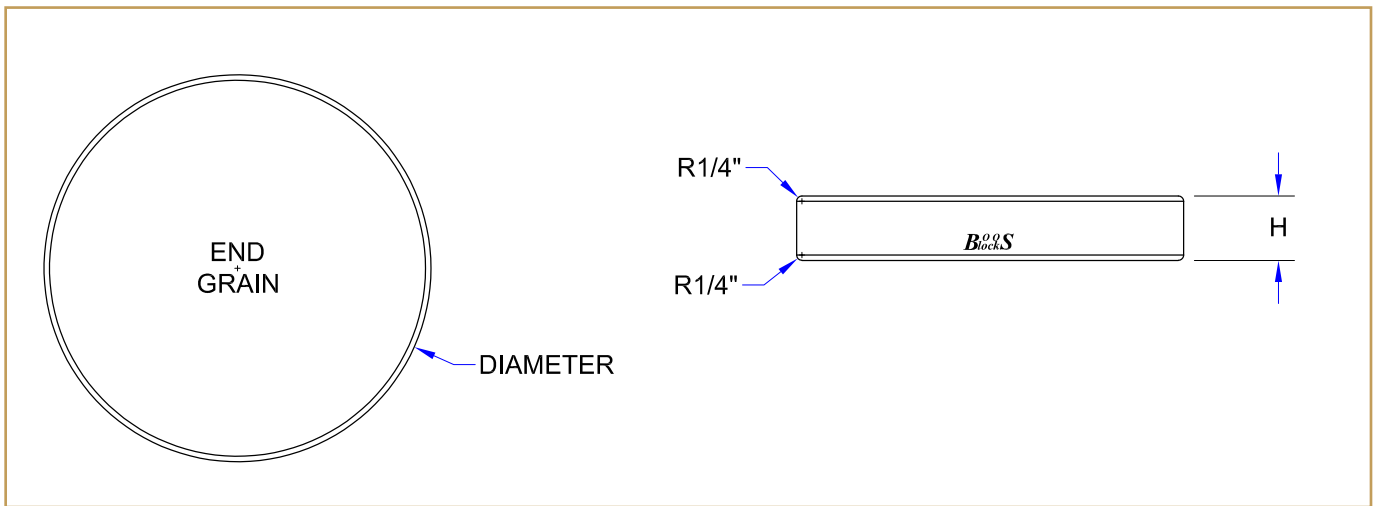
CERTIFICATIONS:



NHLA



CCB183-R-H



"CCB-R-H" WOOD CUTTING BOARD

MODEL	SIZE (DIA. X H)	WT. (LBS)
CCB183-R-H	18"DIA.x3"	22

ALL DIMENSIONS ARE TYPICAL. TOLERANCE +/- .125". JOHN BOOS & CO. RESERVES THE RIGHT TO CHANGE SPECIFICATIONS WITHOUT NOTICE.