

**APPLICATION:**

**JOB NAME:**

**QUANTITY:**                      **ITEM NO.**

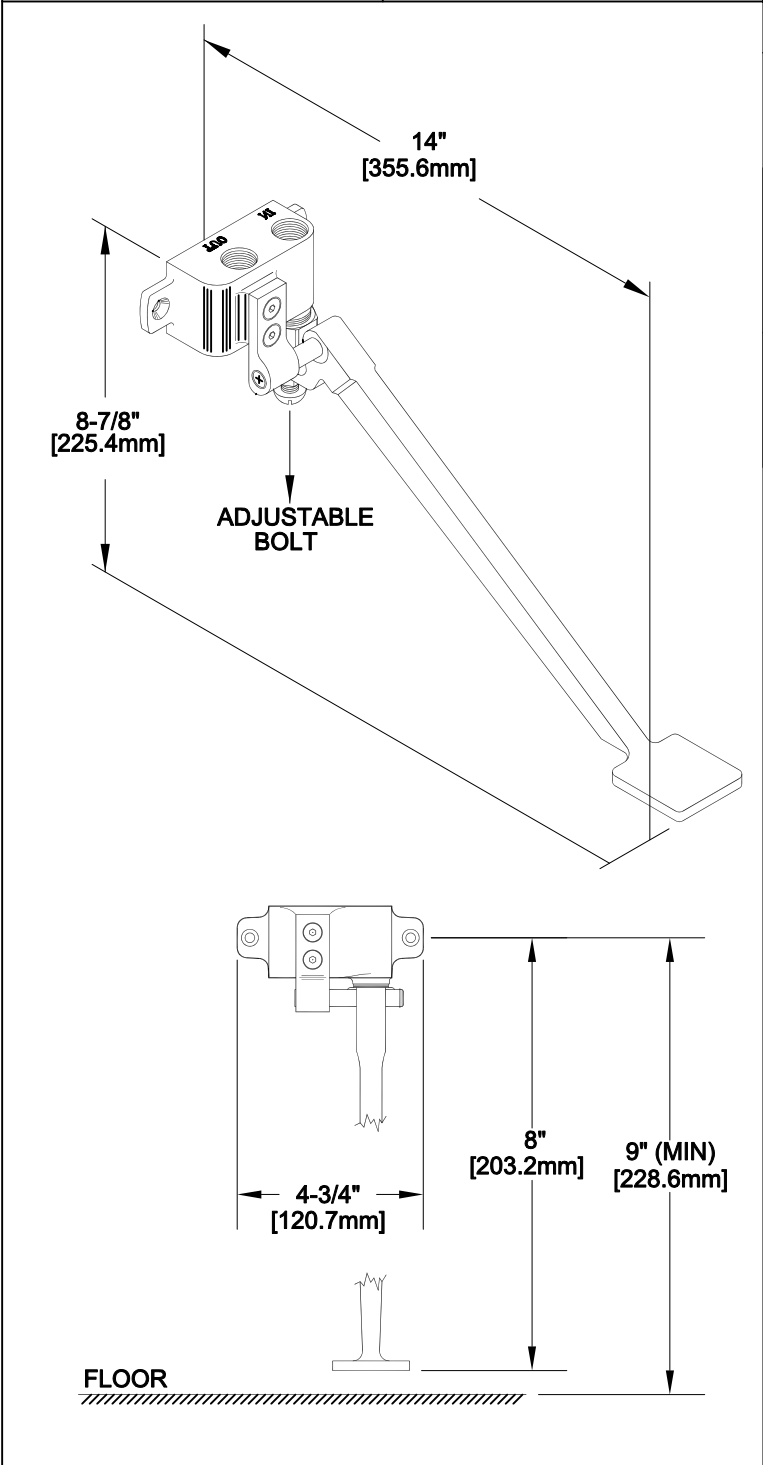
**PRODUCT NAME:**

**SINGLE PEDAL CONTROL  
VALVE WALL MOUNT**

\_\_\_\_\_ **SPECIAL CONFIGURATION  
CHECK BASE MODEL AND OPTIONS**

**MODEL:**

3076



**OPTIONS OR MODIFICATIONS:**

SUPPLY LINES (24" OR 36") CIRCLE LENGTH

NIPPLES

ELBOWS

HANDLES (CROSS OR WRIST) CIRCLE STYLE

VANDAL RESISTANT KIT

OTHER \_\_\_\_\_

**FEATURES**

- \* PEDAL ANODIZED ALUMINUM
- \* CYLINDER CLOSSES WITH WATER FLOW
- \* POLISHED CHROME

**RECOMMENDED SETTINGS**

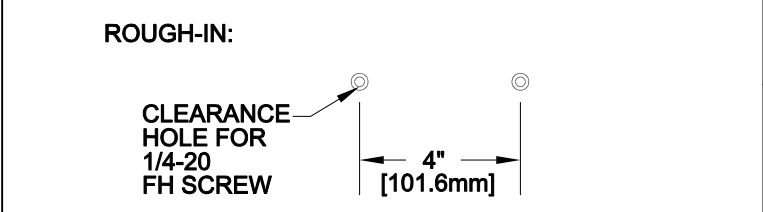
- \* 110°F AT 80 PSI

**SYSTEM LIMITS**

- \* TEMP: 40°F MIN. TO 140°F MAX.
- \* PRESSURE 200 PSI MAX. STATIC

**SHIPPING WEIGHT**

- \* 3.5 LBS



**ANSI/A112.18.1M**

**FISHER**  
FISHER MANUFACTURING COMPANY

TOLL FREE: 800-421-6162 - FAX: 800-832-8238  
[information@fisher-mfg.com](mailto:information@fisher-mfg.com) - [www.fisher-mfg.com](http://www.fisher-mfg.com)