

WATER METERS

AUTOMATIC WATER METER & DISPENSING SYSTEM

GMF, LMF SERIES

GMC1, LMC1 SERIES

Project _____

Item _____

Quantity _____

FCSI Section 11400 _____

Approved _____

Date _____

Models

WALL OR STAND MOUNTED MODELS:

- MODEL GMF - U.S. GALLONS
- MODEL LMF - LITERS

CONSOLE MOUNTED MODELS:*

- MODEL GMC1 - U.S. GALLONS
- MODEL LMC1 - LITERS



Standard Features

- Automatically meters and dispenses water up to a maximum temperature of 122° F. (50° C).
- All 304 Stainless Steel Exterior Construction.
- Power On/Off Switch controls operation.
- Water Resistant Controls and Switches.
- Adjustable Volume Setting Indicator to measure the correct amount water requirements.
- Digital LED readout indicates gallon output during operation.
- Start Switch with Reset and Continue Mode operation for starting and stopping in-between filling operation.
- Interrupt Control Switch to stop filling during operation.
- 115 Volt, 60 Cycle, 1 Phase Standard. 220 Volt, 60 Cycle, 1 Phase optional. Supplied with Cord and Plug.
- Cold Water connection only, 3/4" potable cold water line required.
- Large Flow 3/4" Stainless Steel Swing Spout fills kettles quickly.
- For wall mounted models, three 5/16" diameter holes are pre-punched from the factory to bolt against a wall.

Short Form Specifications

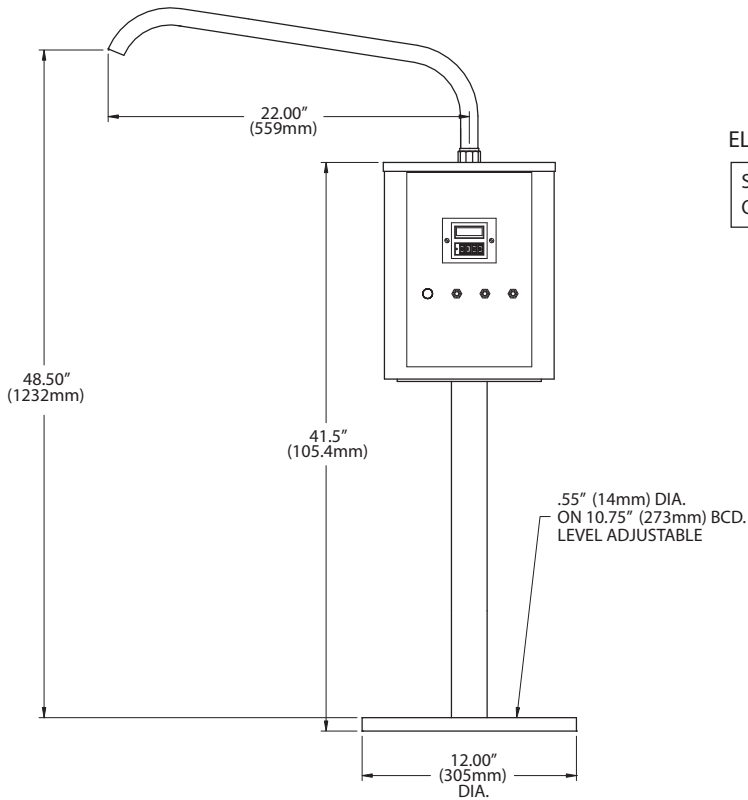
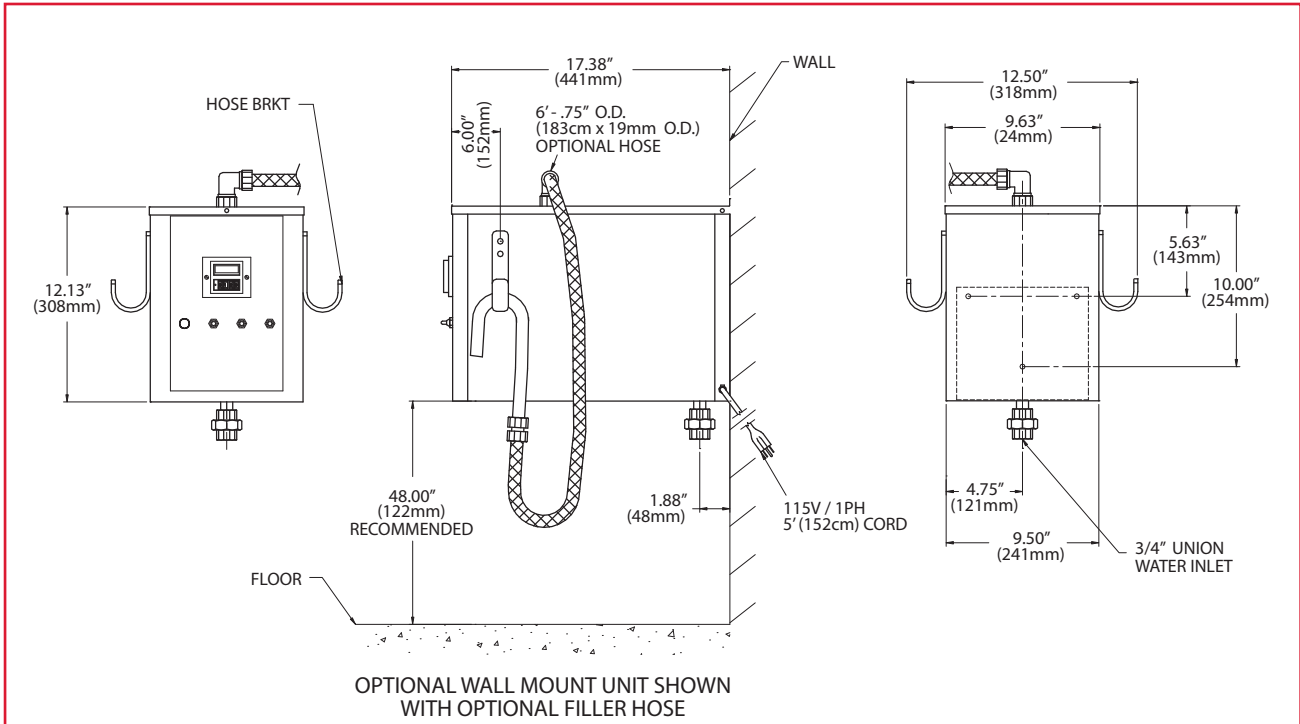
Shall be CLEVELAND, Model ____ M ____
Water Meter; 115 Volt, 60 Cycle, 1 Phase;
Supplied with Cord and Plug; all type 304
Stainless Steel exterior construction; Power
On/Off Switch; Water Resistant Controls and
Switches; Adjustable Volume Setting Indicator;
Digital LED Readout; Start Switch with Reset
and Continue Mode operation; Large Flow 3/4"
Stainless Steel Swing Spout.

Options & Accessories

- Model SWM Stand for GMF and LMF models.

*For Console Mounted Models:

- Requires Console Mounting Option (CM)
- Available for all KEL and KDL floor model kettles, MKEL and MKDL mixer kettles
- GMC1, LMC1 is not available on KGL or MKGL series kettles



STANDARD WATER METER SHOWN ON OPTIONAL PEDESTAL MOUNT

ELECTRICAL RATINGS

STANDARD: 115V, 1PH, 60HZ
 OPTIONAL: 208-240V, 1PH, 50/60HZ

NOTES:

Cleveland Range reserves right of design improvement or modification, as warranted.
 Many regional, state and local codes exist and it is the responsibility of the owner and installer to comply with the codes.
 Installation of backflow preventers, vacuum breakers and other specific code requirements is the responsibility of the owner and installer.
 Cleveland Range equipment is built to comply with applicable standards for manufacturers. Included among those approval agencies are U.L., A.G.A., NSF, ASME/N.B.d., CSA, CGA, ETL and others.

(NOT TO SCALE)