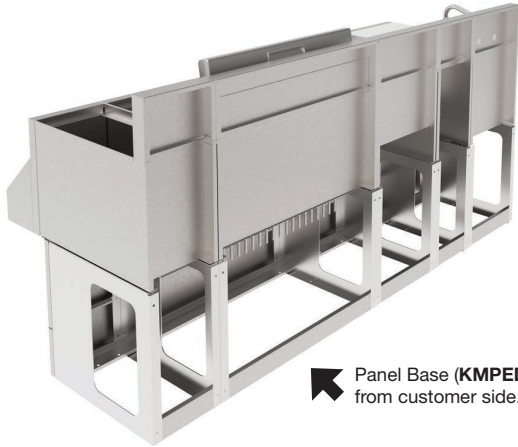




Model: **KMPED** Item #: \_\_\_\_\_ Date: \_\_\_\_\_  
 Project: \_\_\_\_\_ Qty: \_\_\_\_\_ Approved By: \_\_\_\_\_

# Pedestal Base Support System

Royal Series Underbar



Panel Base (KMPED) seen from customer side.



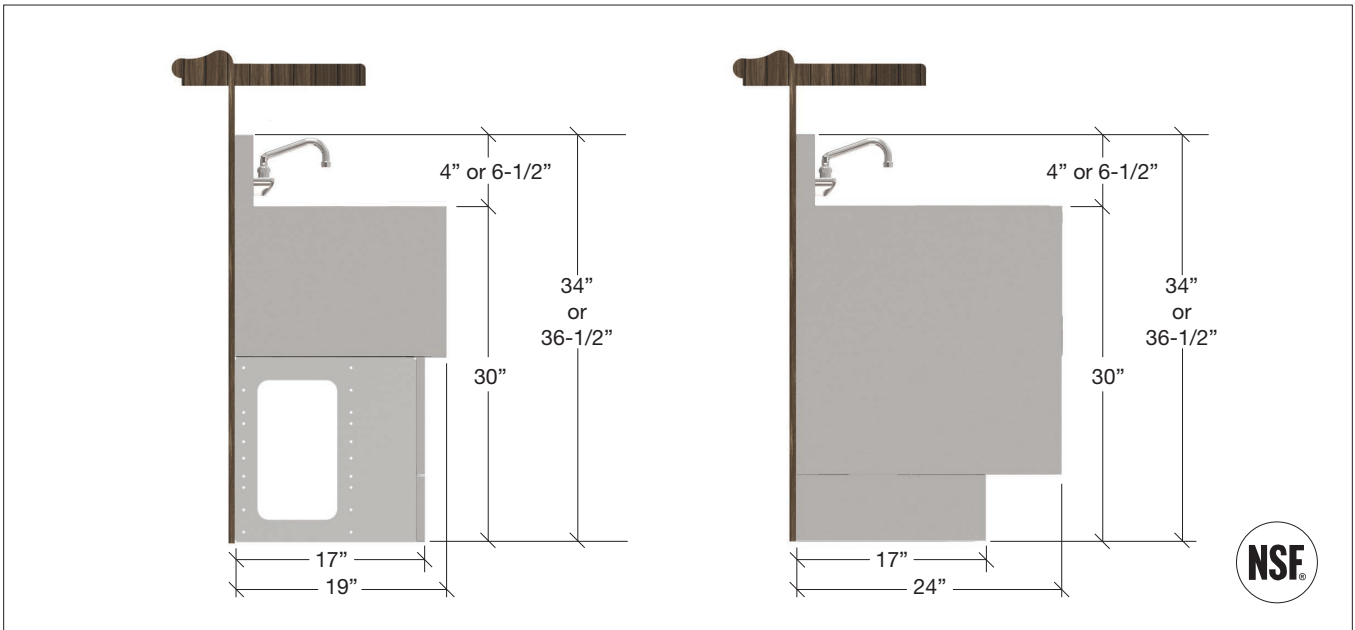
Panel Base (KMPED) seen from bartender side. Note stainless steel panels go flush to floor.

## Standard Features

- Structural option which provides the benefits of Modular Bar Die on the bartender side without the wall for use with all applications including existing spaces
- Equipment is free standing for ease of future modifications
- Eliminates the need for legs and helps ensure the painless maintenance of a clean environment with stainless steel panels above the back splash and below the units
- Removable front panel for easy access to floor drains, plumbing, soda/beer lines, and underside of equipment
- Built at 34"H or 36-1/2"H, depending on backsplash height
- Available with 4"H or 6-1/2"H backsplash
- Meant to go up against pre-existing bar walls
- Stainless steel construction
- Closed front to safeguard against mold and bacteria growth helping maintain the longevity of the equipment
- Pre-assembled and shipped in sections up to 8 ft. for easy install
- Made in the USA

Model	Description	Height	Weight per ft.
KMPED	Pedestal Base	34" or 36-1/2"	6 lbs.

Angle calculations: 90° corner sections = 5 ft. All other angles = 2 ft.



**California Prop 65 Warning:** This product can expose you to chemicals including lead and lead compounds, which are known to the State of California to cause cancer and birth defects or other reproductive harm. For more information go to [www.P65Warnings.ca.gov](http://www.P65Warnings.ca.gov).