



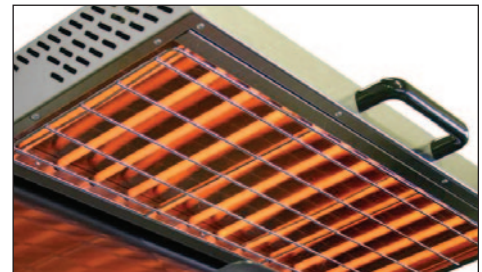
# FINISHING OVEN

## CONCEPT

*Perfect way to finish or broil...  
with precision and control*

- Electric finishing ovens with Quartz (Q) or Vitroceramic (VC, VCE and VCH) heating elements
- Models with adjustable movable top or fixed top and adjustable shelf
- Instant-on* and *infinite power setting* features for movable top VC, VCE and VCH models
- VCE model includes digital controls and 30% stand by power feature (SEM-60VC only)
- Full or partial power
- Pull-out bottom tray with wire rack
- Free-standing or wall-mounted (kit optional)
- 4" legs (included) or 1" adjustable feet (optional) must be installed under unit
- Not to be installed over high heat or open flame without a 2" thick insulated shelf - oversize shelf by 4" each side, back and front (consult factory)

Quartz



Vitroceramic



**VCE Includes Instant-on and Electronic Control Features**



## PRECISION

**SEM-60/80**

208/240V



VC Shown

### FEATURES:

- movable top
- Quartz heating elements
  - 8(SEM-60); 12(SEM-80)
- Vitroceraamic heating zones
  - 2(SEM-60); 3(SEM-80)

## IMPERIAL

**SEF-80**

208/240V



### FEATURES:

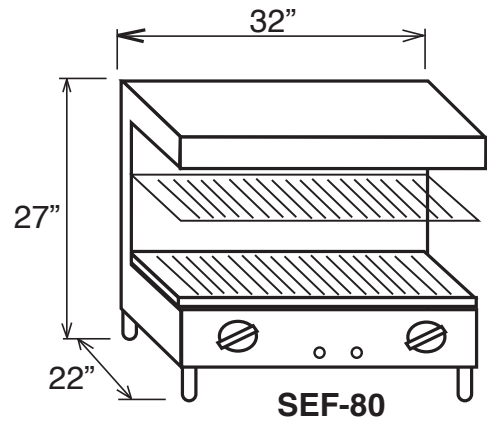
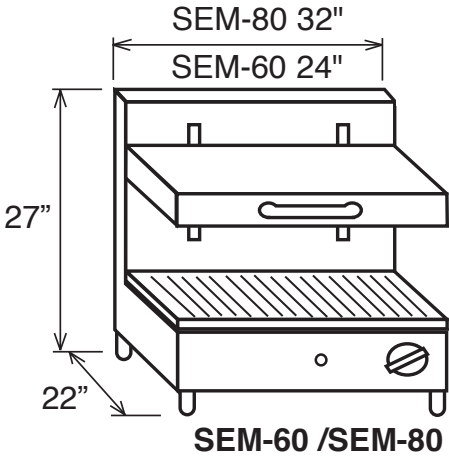
- adjustable intermediate wire shelf
- 12 Quartz heating elements
- 2 zone heat control



100 NIAN TIC AVENUE; SUITE 104 PROVIDENCE, RI 02907  
 TEL: (401)273-3300 FAX: (401)273-3328 E-mail: sales@equipex.com  
 www.equipex.com

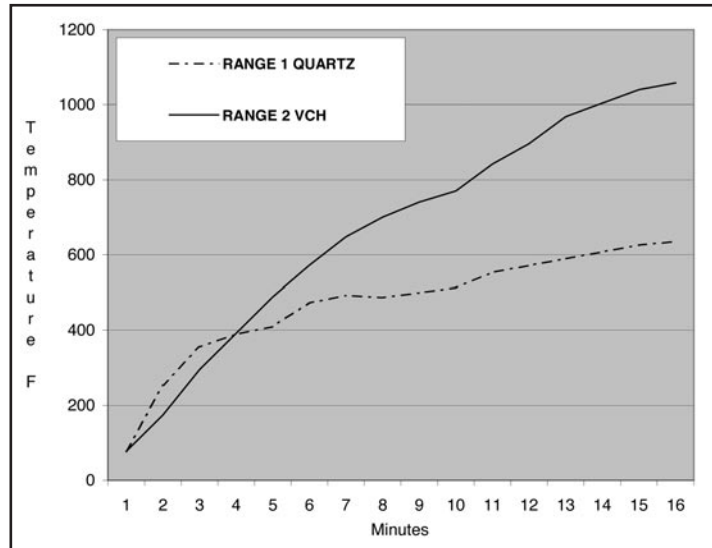


# FINISHING OVENS



Minutes	Range1 Quartz °F	Range 2 Vitro Ceramic °F
0	77	77
1	253	174
2	356	295
3	390	392
4	410	489
5	473	572
6	493	648
7	487	700
8	500	740
9	513	770
10	554	842
11	572	896
12	590	968
13	608	1004
14	626	1040
15	635	1058

Note: Temperature recorded on plate shelf with movable top in the lowest position



## SPECIFICATIONS

INSTALLATION CLEARANCE: 4" EACH SIDE

MODEL	ELECTRICAL	DIMENSIONS W x D x H	WORK SURFACE W X D	SHIPPING WEIGHT lbs.	NEMA PLUG
SEM-60Q	208/240V, 1PH 2.8KW, 12/14 Amps	24" x 22" x 27" (includes 4" legs)	24" x 15"	180	6-20P
SEM-60VC	208/240V, 1PH 3.0KW, 13/15 Amps	24" x 22" x 27" (includes 4" legs)	24" x 15"	190	6-20P
SEM-60VCE	208/240V, 1PH, 3.0KW, 13/15 Amps	24" x 22" x 27" (includes 4" legs)	24" x 15"	190	6-20P
SEM-80Q	208/240V, 1PH 3.9KW, 17/19 Amps ----- 208/240V, 3PH 3.9KW, 16/18 Amps	32" x 22" x 27" (includes 4" legs)	32" x 15"	195	L6-30P ----- Cord only
SEM-80VC	208/240V, 1PH 4.5KW, 19/22 Amps ----- 208/240V, 3PH 4.5KW, 18/20 Amps	32" x 22" x 27" (includes 4" legs)	32" x 15"	205	L6-30P ----- Cord Only
SEM-80VCH	208/240V, 1PH 7500W, 28/32 Amps ----- 208/240V, 3PH 7500W, 18/20 Amps	32" x 22" x 27" (includes 4" legs)	32" x 15"	205	6-50P ----- Cord Only
SEF-80Q	208/240V, 3PH 5KW, 13/15 Amps	32" x 22" x 27" (includes 4" legs)	32" x 14"	170	Cord Only

\*All equipment must be plugged into a dedicated circuit of the proper ratings.

**WARRANTY: Limited one year parts and labor**



100 NIANTIC AVENUE; SUITE 104 PROVIDENCE, RI 02907  
 TEL: (401)273-3300 FAX: (401)273-3328 E-mail: sales@equipex.com  
 www.equipex.com



Intertek  
UL197



Intertek  
NSF-4