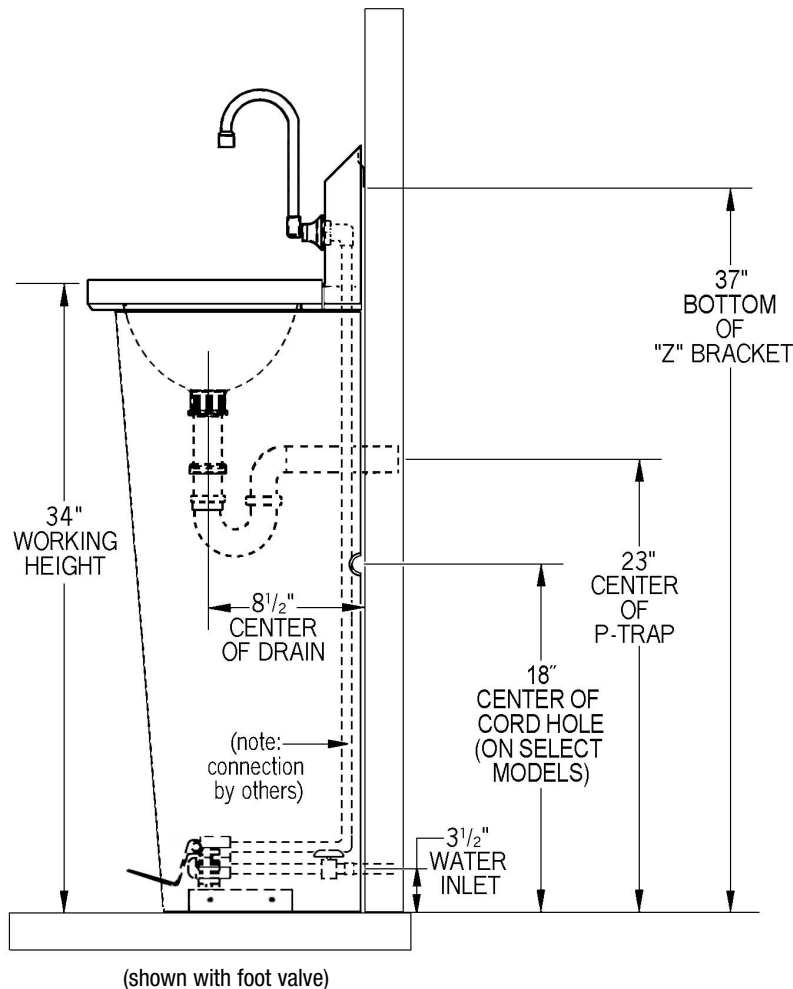


Hand Sinks with Pedestal Base**ASSEMBLY INSTRUCTIONS****CAUTION**

INSPECT CONTENTS IMMEDIATELY AND FILE CLAIM WITH DELIVERING CARRIER FOR ANY DAMAGE.
SAVE YOUR BOX AND ALL PACKING MATERIALS.
 YOU ARE RESPONSIBLE FOR DAMAGE TO YOUR UNIT IF RETURNED IMPROPERLY PACKED.

Please note before assembly:

- Attach faucet to hand sink per faucet instructions.
- Attach foot valves(s), if included, per foot valve instructions. Foot valve to be fastened by two bolts or more, depending on valve. Not all holes will be used.
- Please follow the plumbing rough-ins (below). All dimensions are nominal.

Dimensions for plumbing rough-ins:

(continued on back page)

EG10015 Revised 01/22

- 100 Industrial Boulevard, Clayton, Delaware 19938-8903 U.S.A.
- Phone: 302/653-3000 • 800/441-8440
- Fax: 302/653-2065 • www.eaglegrp.com

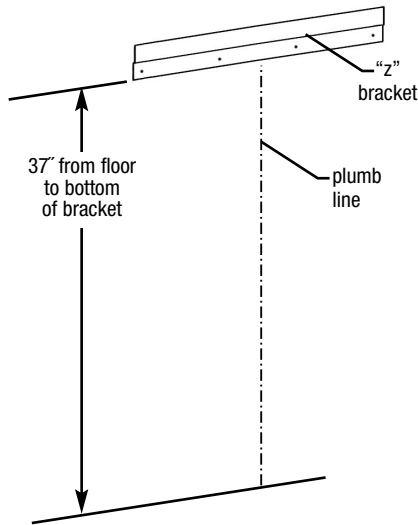
Hand Sinks with Pedestal Base

ASSEMBLY INSTRUCTIONS

Step 1 - Attach z-bracket to wall.

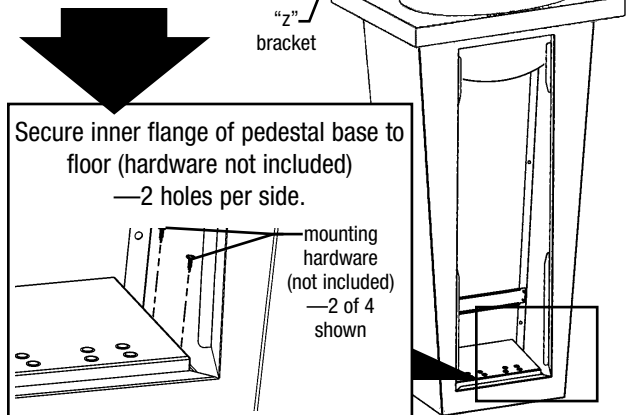
- Mark a plumb line from the bottom of the "z" bracket (wall clip) at 37" above finished floor.
- Level "z" bracket and assemble to wall (hardware not included).

Note: Position Z-bracket so that the holes are closer to floor.



Step 2 - Attach pedestal base of sink to floor.

- Place pedestal hand sink onto z-bracket.
- Mark/pre-drill holes to mount to floor mount.

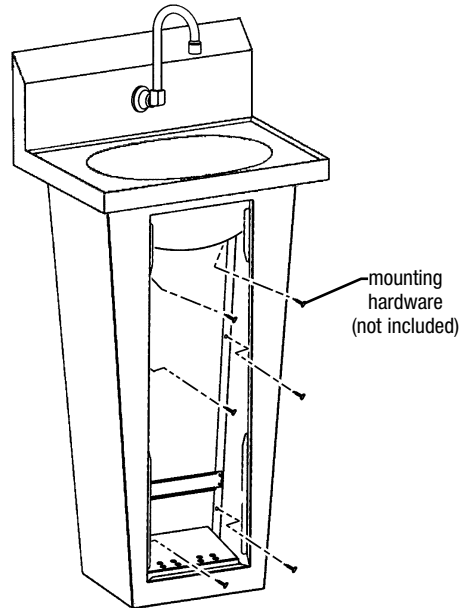


Step 3 - Pre-plumb hot and cold water supply.

Pre-plumb in accordance with local plumbing codes.
(If necessary, remove sink from pedestal base via 4 nuts [2 per side] located inside upper pedestal base, and reassemble when done.)

Step 4 - Secure back of pedestal to wall.

3 holes per side, 6 total (hardware not included).



Step 5 - Connect drain and water lines to faucet.

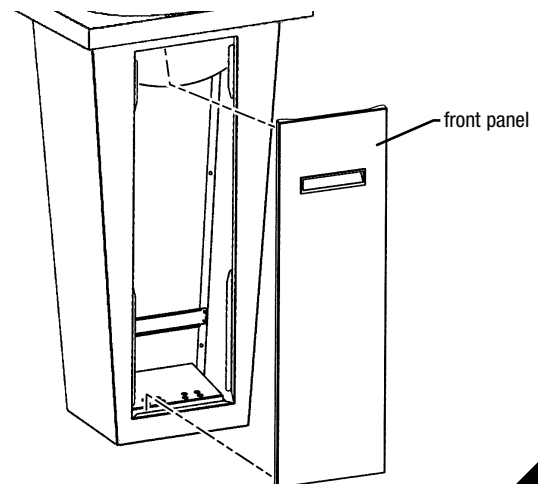
Flush water system and adjust hot water accordingly.

Step 6 - Check all water and drain connections for leaks.

For units with DC-powered components (i.e. - faucet, hot water heater, etc), connect electric to outlets.

Step 7 - Install front panel to pedestal base.

Slip panel upwards under sink body, then slide in at bottom.



Installation is complete.

(End)

- 100 Industrial Boulevard, Clayton, Delaware 19938-8903 U.S.A.
- Phone: 302/653-3000 • 800/441-8440
- Fax: 302/653-2065 • www.eaglegrp.com