

Table Mounted Boat Racks

ASSEMBLY INSTRUCTIONS

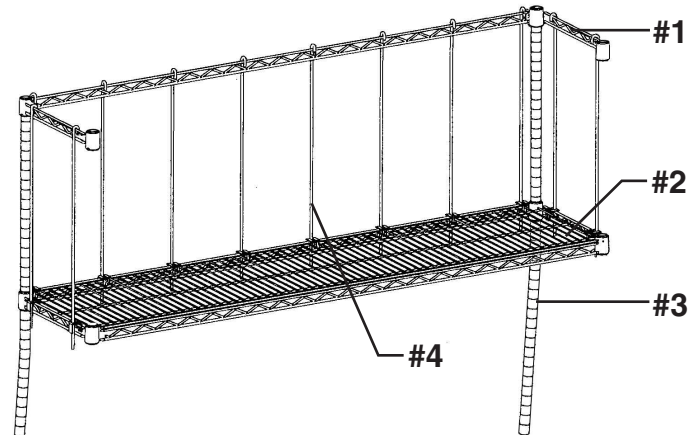
CAUTION

INSPECT CONTENTS IMMEDIATELY AND FILE CLAIM WITH DELIVERING CARRIER FOR ANY DAMAGE.

SAVE YOUR BOX AND ALL PACKING MATERIALS.

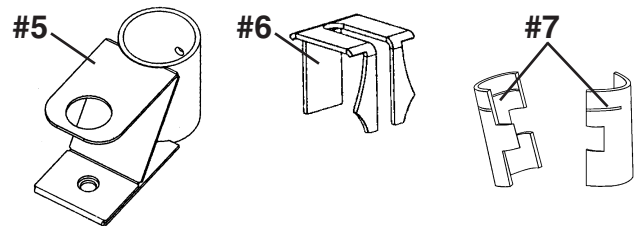
YOU ARE RESPONSIBLE FOR DAMAGE TO YOUR UNIT IF RETURNED IMPROPERLY PACKED.

Parts List



#	qty	part #	description
#1	1	*	3-sided truss frame
#2	1	*	shelf
#3	*	*	post
#4	*	A213304	rod
#5	*	BRTG	boat rack table gusset
#6	*	A204297	clip
#7	2	A200816	bag of four split sleeves

* Quantities and/or part numbers vary, depending on order.



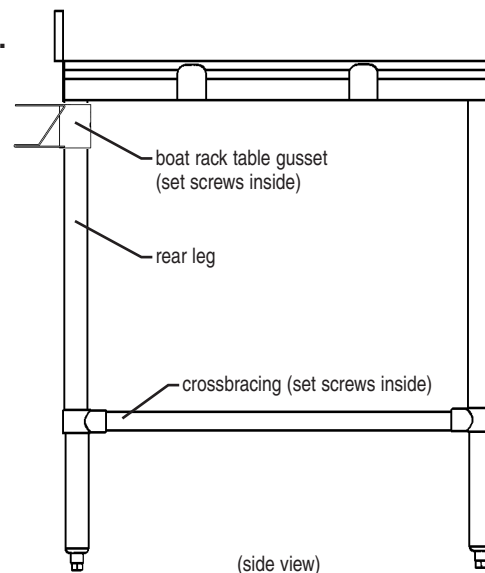
Before assembly:

Unscrew bolt from bottom of each post and set aside.

Step 1 - Attach boat rack table gussets to table.

(Note: Will not fit onto tables with welded crossbracing.)

- On table, loosen crossbracing set screws.
- Slide crossbracing off legs and set aside.
- On rear legs, slide boat rack table gussets to top. Tighten gusset set screws.
- Replace crossbracing. Tighten crossbracing set screws.



(continued on Page 2)

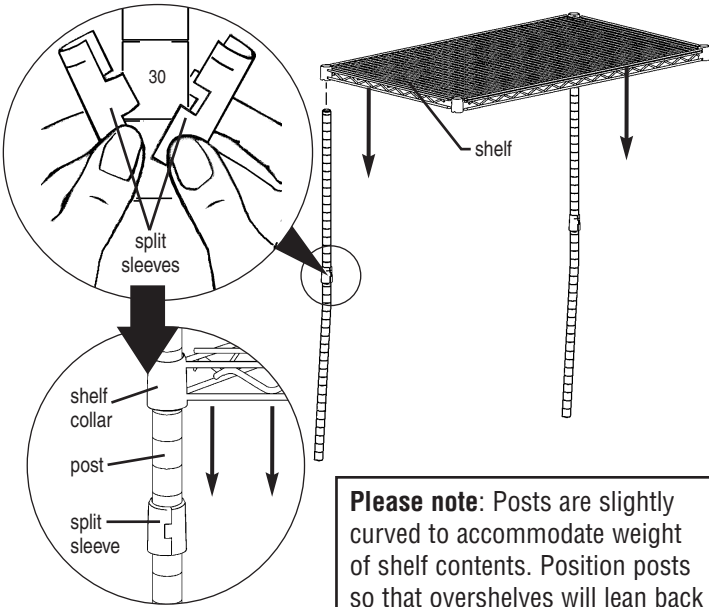
EG10049 Revised 01/06

Table Mounted Boat Racks

ASSEMBLY INSTRUCTIONS

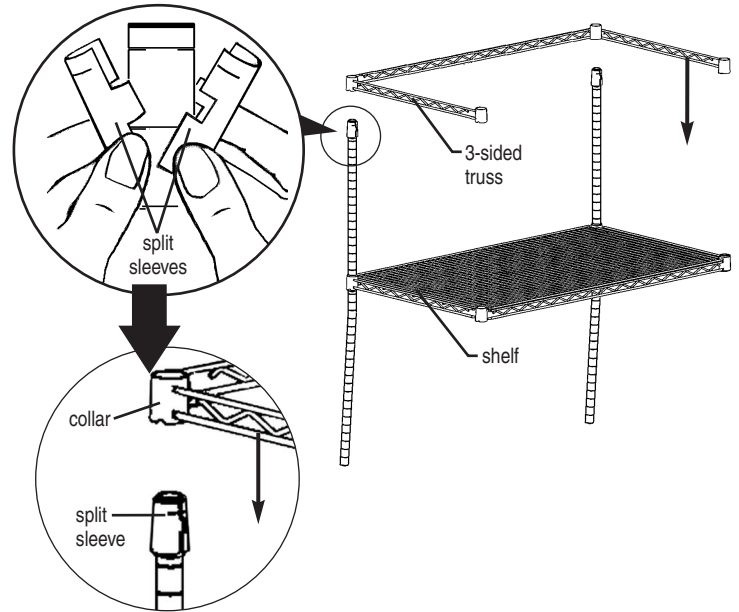
Step 2 - Attach shelf to posts.

Snap split sleeve onto each post at the 23rd groove from top (the wider part of the taper goes toward the bottom).



Step 3 - Attach 3-sided truss to posts.

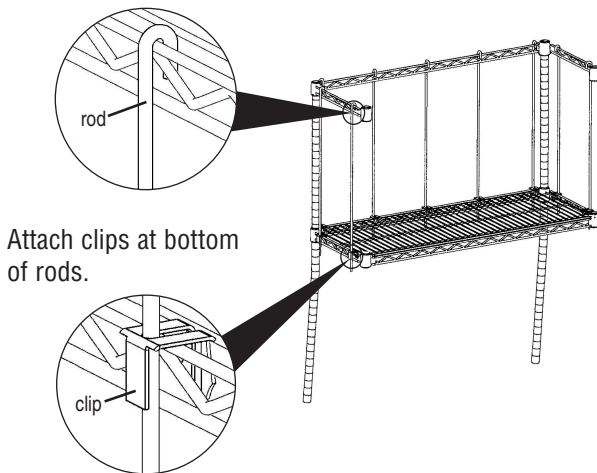
Snap split sleeves onto top groove on posts.



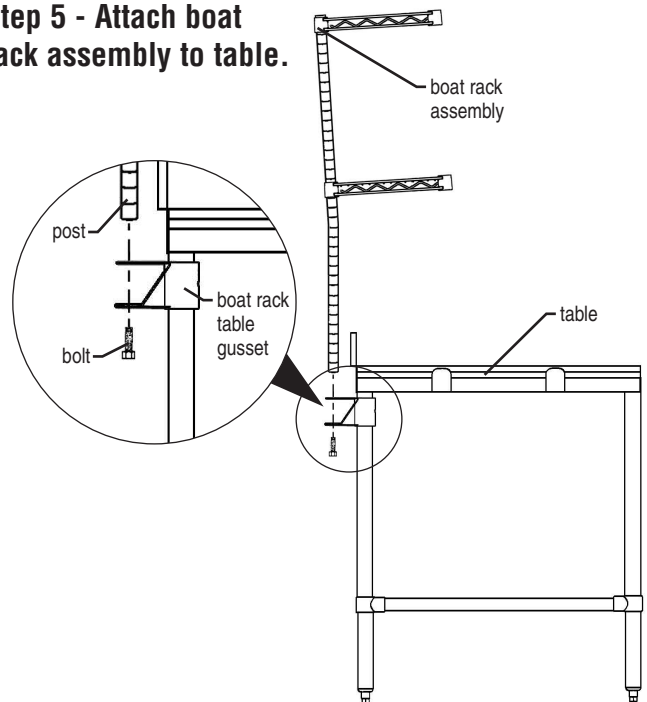
Step 4 - Attach rods.

Hook rods where desired onto outside of 3-sided truss.

NOTE: At least one rod required on each end.



Step 5 - Attach boat rack assembly to table.



(End)



Profit from the Eagle Advantage®

- 100 Industrial Boulevard, Clayton, Delaware 19938-8903 U.S.A. • www.eaglegrp.com
- Phone: 302/653-3000 • (Foodservice) 800/441-8440 • (MHC/Retail) 800/637-5100
- Fax: 302/653-2065 or 302/653-3036