

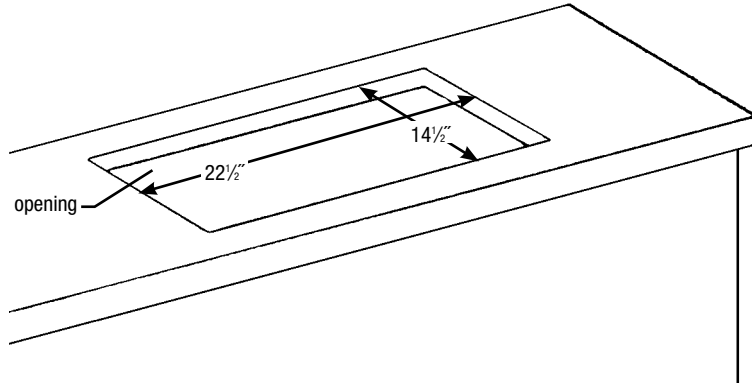
# Top Mounting Plate

## ASSEMBLY INSTRUCTIONS

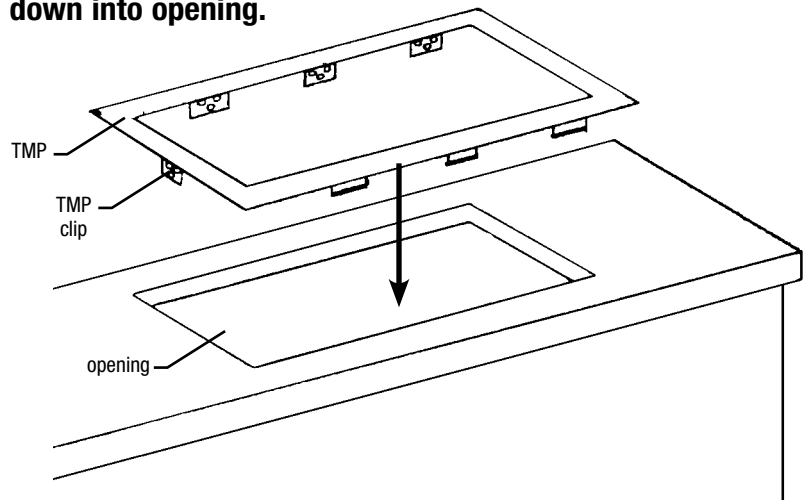
### CAUTION

INSPECT CONTENTS IMMEDIATELY AND FILE CLAIM WITH DELIVERING CARRIER FOR ANY DAMAGE. **SAVE YOUR BOX AND ALL PACKING MATERIALS.** YOU ARE RESPONSIBLE FOR DAMAGE TO YOUR UNIT IF RETURNED IMPROPERLY PACKED.

**Step 1 - Cut out 14½" x 22½" opening in countertop.**



**Step 2 - Install top mounting plate (TMP) clips down into opening.**



(continued on back page) →

EG10052 Revised 09/23



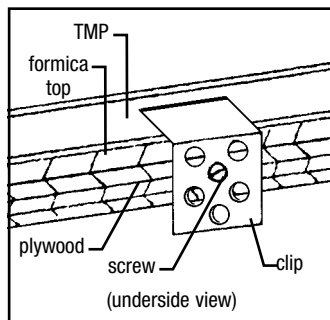
- 100 Industrial Boulevard, Clayton, Delaware 19938-8903 U.S.A.
- Phone: 302/653-3000 • 800/441-8440
- Fax: 302/653-2065 • [www.eaglegrp.com](http://www.eaglegrp.com)

# Top Mounting Plate

## ASSEMBLY INSTRUCTIONS

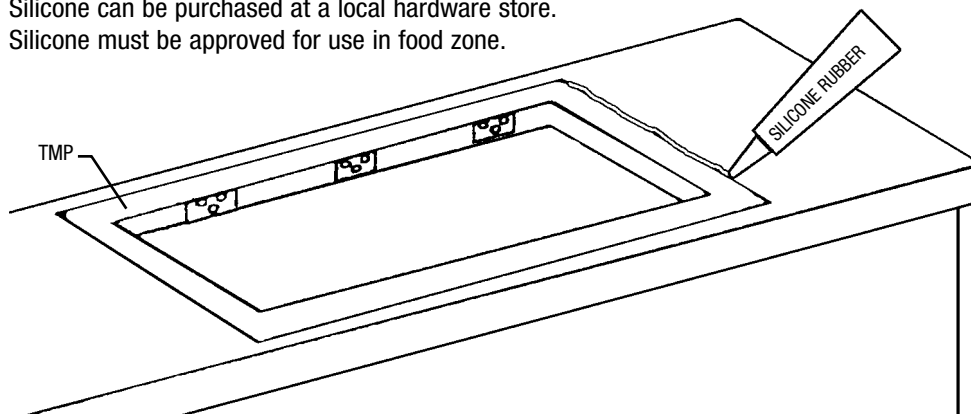
### Step 3 - Fasten TMP into place.

Insert screws through clips, and tighten screws into plywood.



### Step 4 - Apply a bead of silicone rubber where TMP edge meets formica top.

- With clean cloth, wipe off excess silicone before it cures.
- Silicone can be purchased at a local hardware store.
- Silicone must be approved for use in food zone.



### Step 5 - Mount 1220 unit into TMP according to instructions.

(End)