

Table-Mounted Pot Rack

ASSEMBLY INSTRUCTIONS

MODELS UP TO 96" LONG
(FOR MODELS 108" AND LONGER, GO TO PAGE 3)

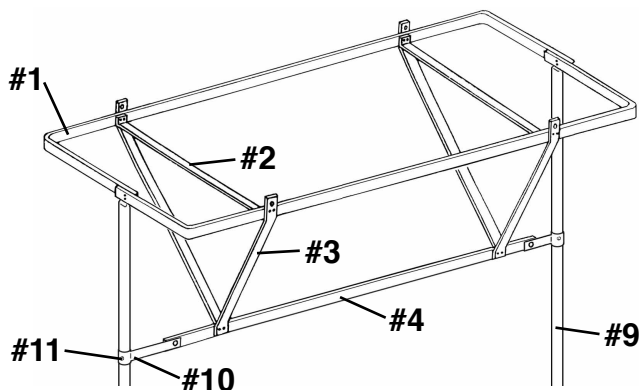
CAUTION

INSPECT CONTENTS IMMEDIATELY AND FILE CLAIM WITH DELIVERING CARRIER FOR ANY DAMAGE.

SAVE YOUR BOX AND ALL PACKING MATERIALS.

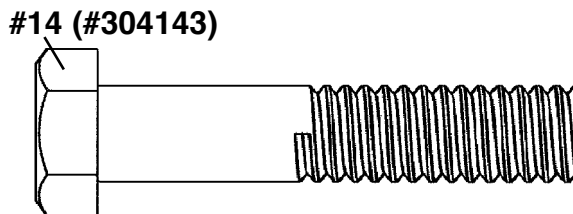
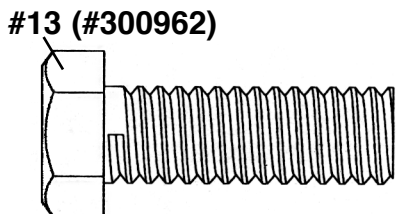
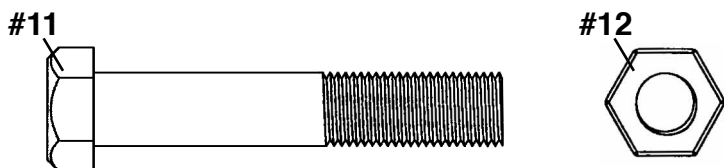
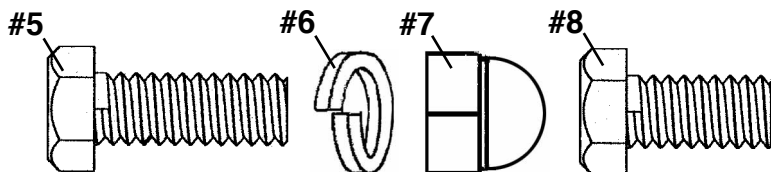
YOU ARE RESPONSIBLE FOR DAMAGE TO YOUR UNIT IF RETURNED IMPROPERLY PACKED.

Parts List



#	qty	part #	description
#1	2	*	bar - top piece
#2	*	305669	cross top support
#3	*	305668	support
#4	1	*	bottom rack bar
#5	*	306136	hex head bolt $\frac{3}{8}$ "-1"
#6	*	306122	lock washer, $\frac{3}{8}$ "
#7	*	306137	cap nut, $\frac{3}{8}$ "
#8	4	306138	hex cap bolt, $\frac{3}{8}$ "- $\frac{3}{4}$ "
#9	2	305663	84" leg
#10	2	306569	leg clip
#11	*	326785	bolt gusset, $\frac{3}{8}$ "-16 x 2 $\frac{1}{4}$ "
#12	*	310176	nut, $\frac{3}{8}$ "-16
#13	2	300962**	bolt, $\frac{1}{2}$ "-13 x 1 $\frac{1}{2}$ "
		or	
#14	2	304143***	bolt, $\frac{1}{2}$ "-13 x 2 $\frac{1}{2}$ "

actual size of hardware:



* Quantities and/or part numbers vary, depending on size.

** Used with tables that do not have center channels on undershelf.

*** Used with tables that have center channels on undershelf.

(continued on next page)

EG9842 Revised 10/22



Profit from the Eagle Advantage®

• 100 Industrial Boulevard, Clayton, Delaware 19938-8903 U.S.A.
• Phone: 302/653-3000 • 800/441-8440 • Fax: 302/653-2065
• www.eaglegrp.com • www.eaglegrpnews.com • www.eaglemhc.com

Eagle Foodservice Equipment, Eagle MHC, and SpecFAB® are divisions of Eagle Group. ©2022 by the Eagle Group

Table-Mounted Pot Rack

ASSEMBLY INSTRUCTIONS

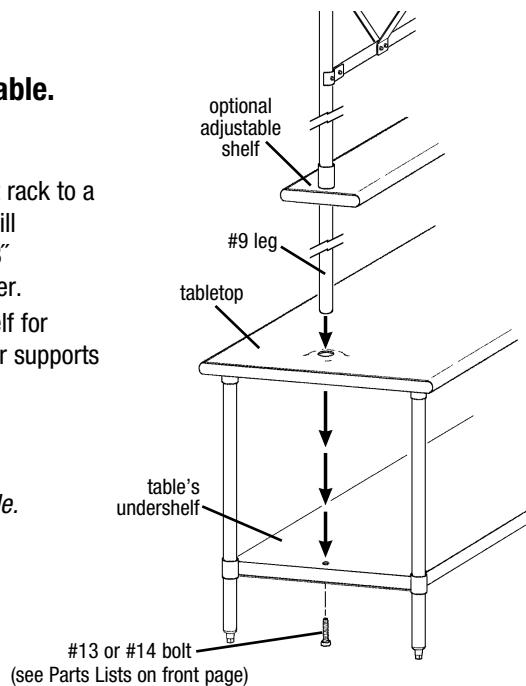
MODELS UP TO 96" LONG

Step 1 - Bolt leg to each end of table.

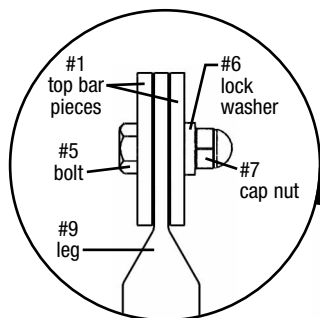
Please note:

- If you are assembling table-mounted pot rack to a pre-existing table, you are required to drill appropriate holes. Tabletop hole is 1-5/8" diameter. Undershef hole is 1/2" diameter.
- If you ordered an optional adjustable shelf for table-mounted pot rack, attach to tubular supports now at desired height.

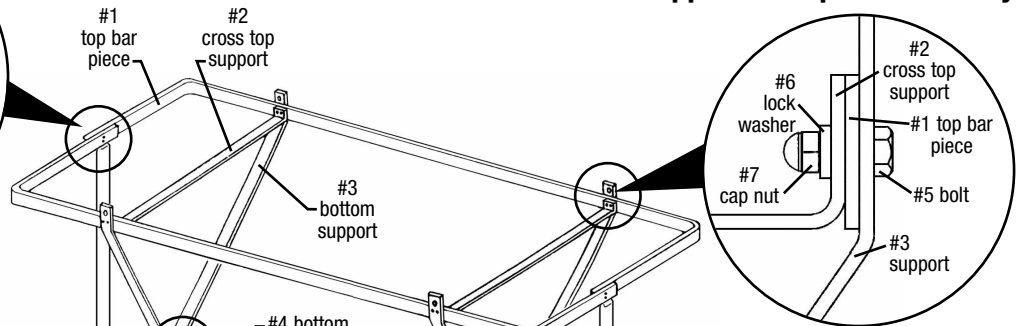
*Please note before continuing:
For easier assembly, turn table onto its side.*



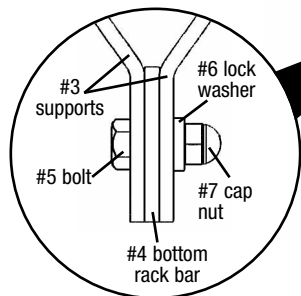
Step 2 - Assemble top bar.



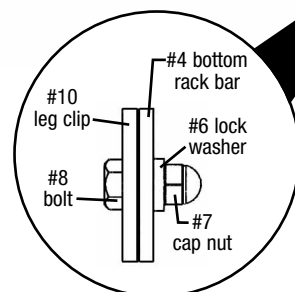
Step 3 - Attach cross top supports and bottom supports to top bar assembly.



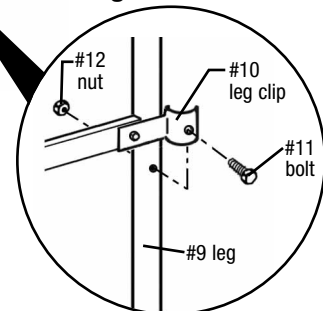
Step 4 - Attach bottom rack bar.



Step 5 - Attach leg clips to bottom rack bar.



Step 6 - Attach leg clips to legs.



Tighten all hardware.

(End)

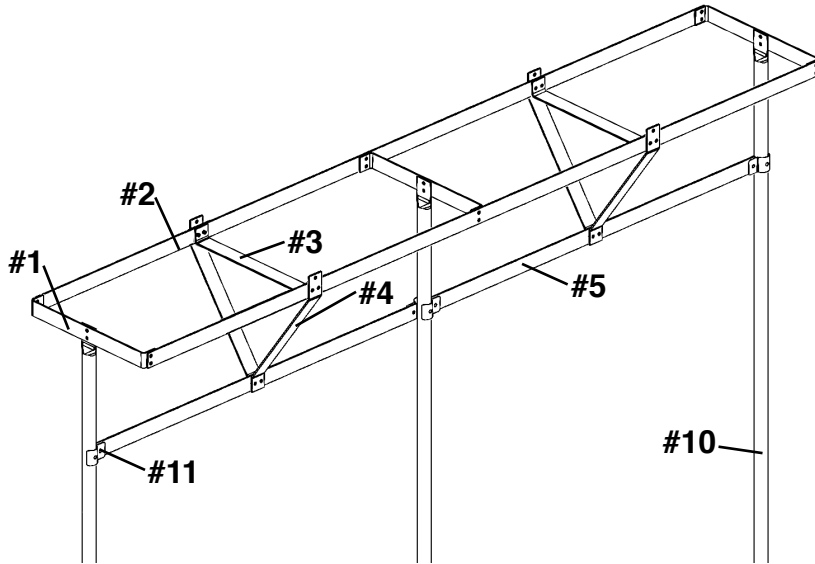
Table-Mounted Pot Rack

ASSEMBLY INSTRUCTIONS

MODELS 108" AND LONGER

(FOR MODELS UP TO 96" LONG, GO TO FRONT PAGE)

Parts List



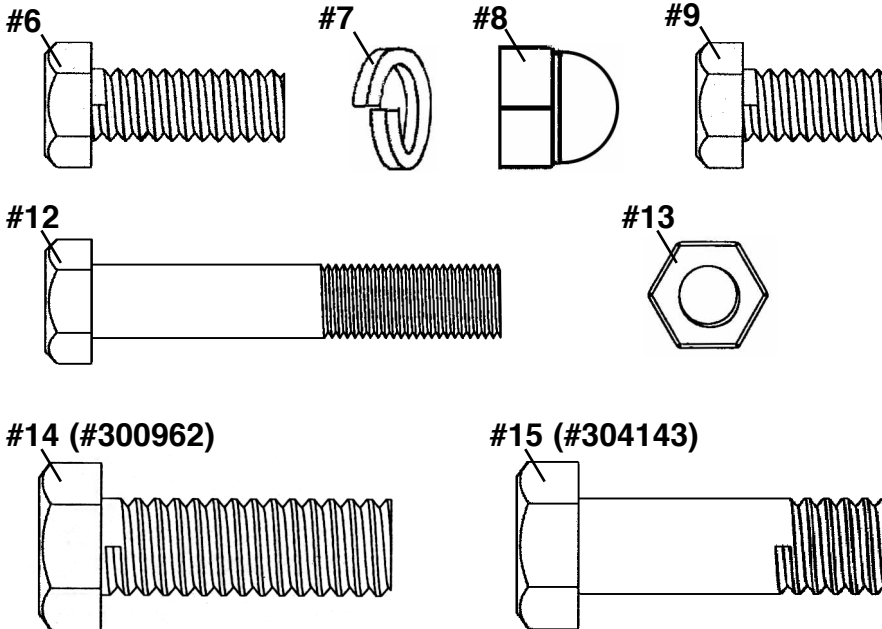
#	qty	part #	description
#1	3	317135	leg support bar
#2	2	*	bar - top piece
#3	2	305669	cross top support
#4	4	305668	support
#5	2	*	bar - bottom piece
#6	30	306136	hex head bolt $\frac{3}{8}$ "-1"
#7	34	306122	lock washer, $\frac{3}{8}$ "
#8	34	306137	cap nut, $\frac{3}{8}$ "
#9	4	306138	hex cap bolt, $\frac{3}{8}$ "- $\frac{3}{4}$ "
#10	3	305663	84" leg
#11	4	306569	leg clip
#12	3	326785	bolt gusset, $\frac{3}{8}$ "-16 x 2 $\frac{1}{4}$ "
#13	3	310176	nut, $\frac{3}{8}$ "-16
#14	3	300962**	bolt, $\frac{1}{2}$ "-13 x 1 $\frac{1}{2}$ "
		or	
#15	3	304143***	bolt, $\frac{1}{2}$ "-13 x 2 $\frac{1}{2}$ "

* Part numbers vary, depending on size.

** Used with tables that do not have center channels on undershelf.

*** Used with tables that have center channels on undershelf.

actual size of hardware:



(continued on back page)

Table-Mounted Pot Rack

ASSEMBLY INSTRUCTIONS

MODELS 108" AND LONGER

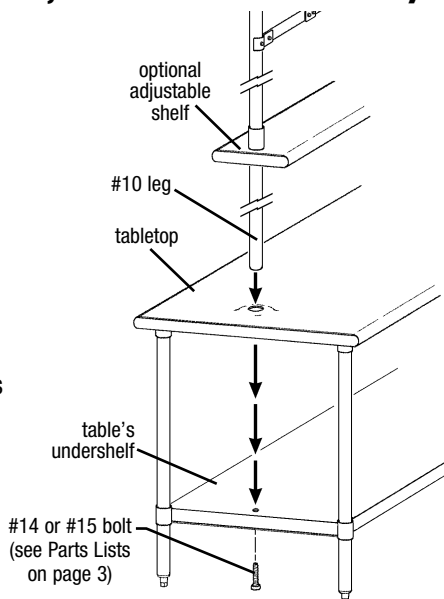
(FOR MODELS UP TO 96" LONG, GO TO FRONT PAGE)

Step 1 - Bolt legs to table's undershelf.

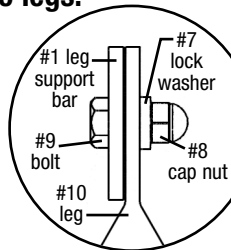
- If you are assembling table-mounted pot rack to a pre-existing table, you are required to drill appropriate holes. Tabletop hole is 1-5/8" diameter. Undershelf hole is 1/2" diameter.
- Racks 108" and longer have three legs. You will need to drill a hole for each end leg, plus one for the center leg.
- If you ordered an optional adjustable shelf for table-mounted pot rack, attach to tubular supports now at desired height.

Please note before continuing:

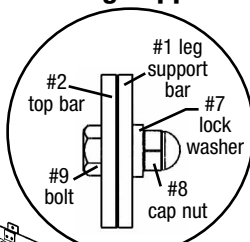
For easier assembly, turn table onto its side.



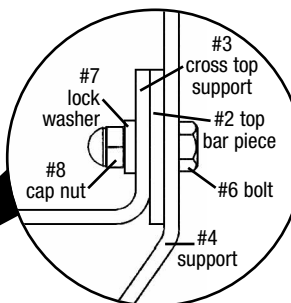
Step 2 - Affix leg support bars to legs.



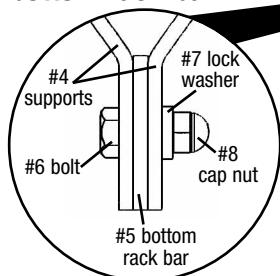
Step 3 - Attach top bar pieces to leg support bars.



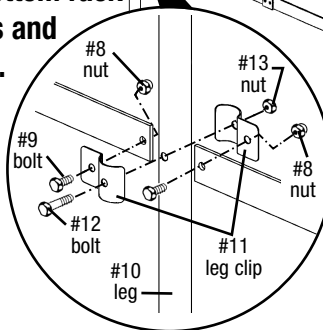
Step 4 - Attach cross top supports and bottom supports to top bar assembly.



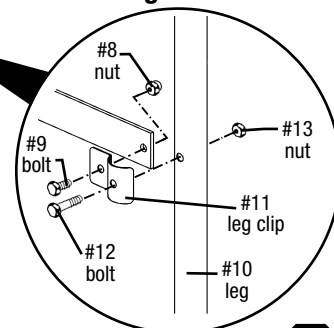
Step 5 - Attach bottom rack bar.



Step 6 - Attach leg clips to bottom rack bar pieces and center leg.



Step 7 - Attach leg clips to bottom rack bar pieces and end legs.



Tighten all hardware.

(End)