

QuadPLUS® Polymer Shelf Mats

INSTALLATION INSTRUCTIONS

CAUTION

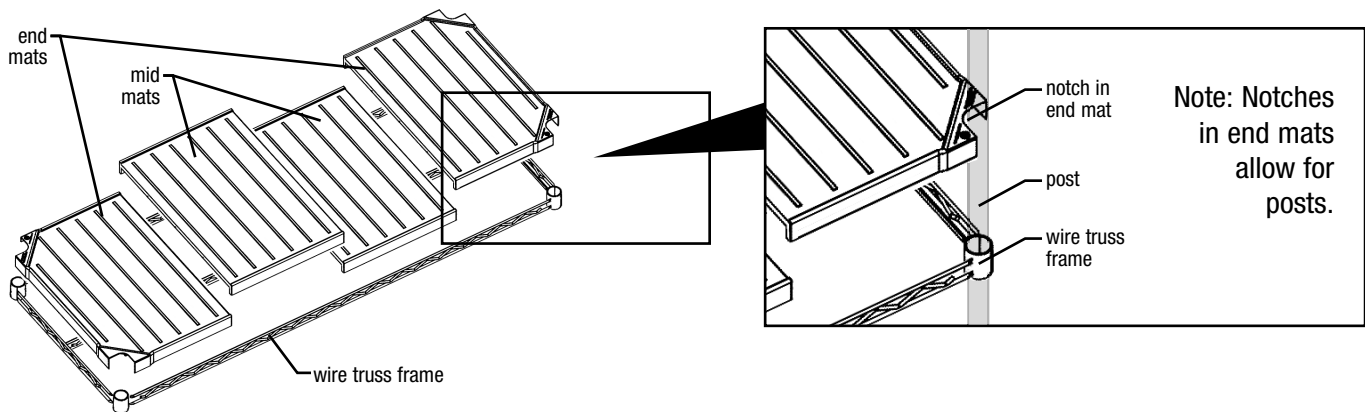
INSPECT CONTENTS IMMEDIATELY AND FILE CLAIM WITH DELIVERING CARRIER FOR ANY DAMAGE. **SAVE YOUR BOX AND ALL PACKING MATERIALS.** YOU ARE RESPONSIBLE FOR DAMAGE TO YOUR UNIT IF RETURNED IMPROPERLY PACKED.

This instruction is used with #A200815 “Wire Shelving” instructions.

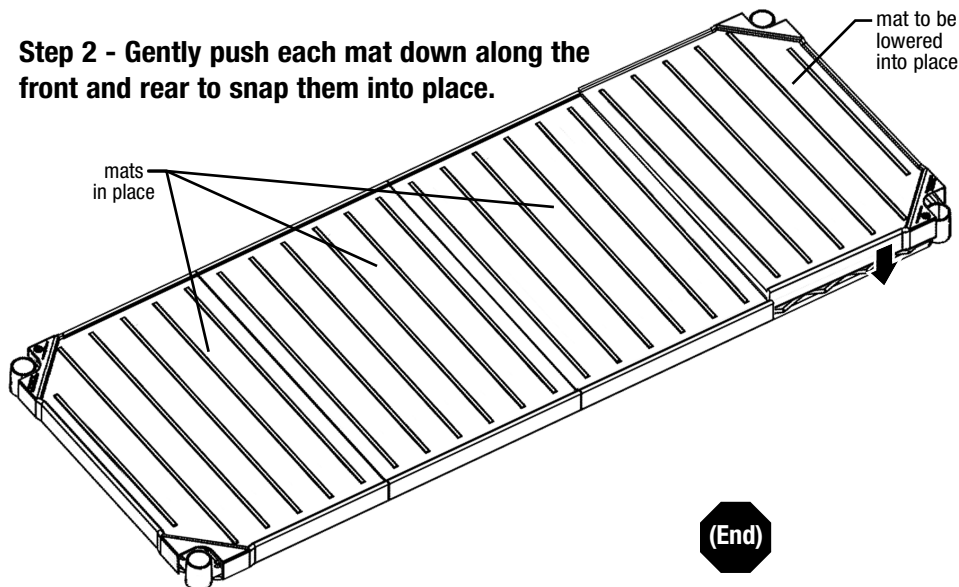
BEFORE ASSEMBLY, PLEASE READ:

- For clarity, this instruction shows QuadPLUS® polymer mats being assembled to a wire truss frame.
- QuadPLUS® can be affixed to standard wire shelves as well.
- It is recommended to assemble truss frames and/or shelves onto posts—and to secure frame and/or shelf by tapping with a mallet—BEFORE installing polymer mats. **IMPORTANT: DO NOT HIT TRUSS FRAMES AND/OR SHELVES AFTER POLYMER MATS HAVE BEEN INSTALLED!** Remove polymer mats before readjusting truss frame.

Step 1 - Position polymer mats onto wire truss frame or shelf accordingly ('wire truss frame' option shown).



Step 2 - Gently push each mat down along the front and rear to snap them into place.



IMPORTANT!



DO NOT USE TOOLS TO INSTALL POLYMER MATS!

(End)

EG9889 Revised 02/24