

#P1916 Pedestal Mount Hand Sink

ASSEMBLY INSTRUCTIONS

CAUTION

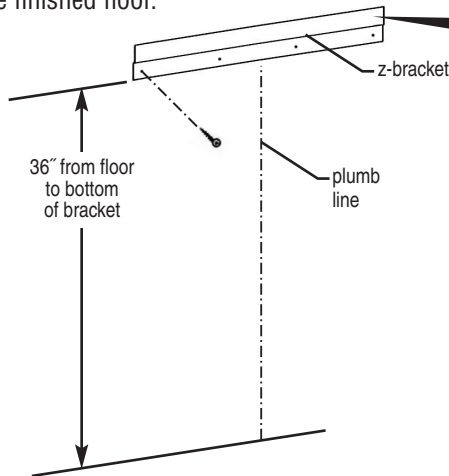
INSPECT CONTENTS IMMEDIATELY AND FILE CLAIM WITH DELIVERING CARRIER FOR ANY DAMAGE.

SAVE YOUR BOX AND ALL PACKING MATERIALS.

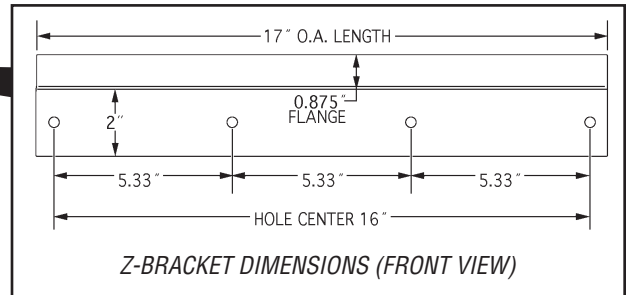
YOU ARE RESPONSIBLE FOR DAMAGE TO YOUR UNIT IF RETURNED IMPROPERLY PACKED.

Step 1 - Attach z-bracket to wall.

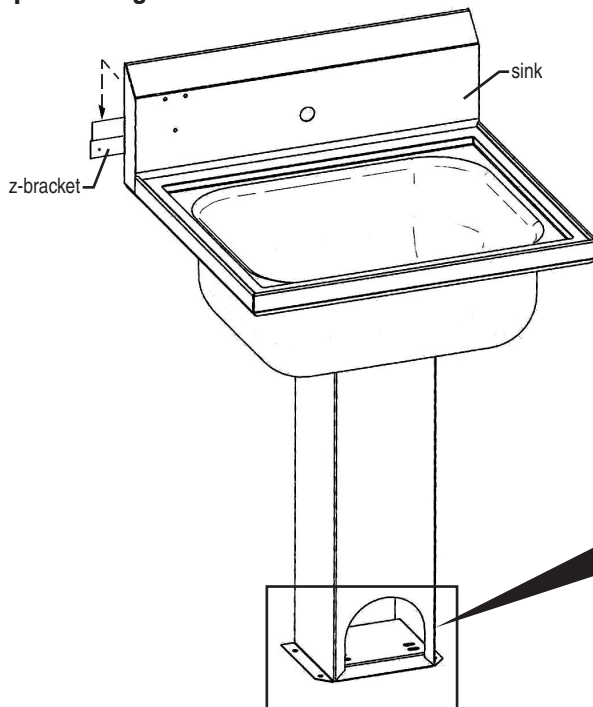
- Mark a plumb line from the bottom of the z-bracket at 36" above finished floor.
- Level z-bracket and assemble to wall (hardware not included).



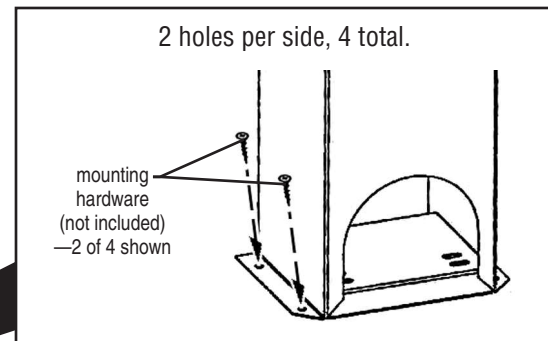
Note: Position z-bracket so that the holes are closer to floor, as shown.



Step 2 - Hang sink onto z-bracket.



Step 3 - Secure pedestal to floor.



(End)

EG9946 Revised 04/12