

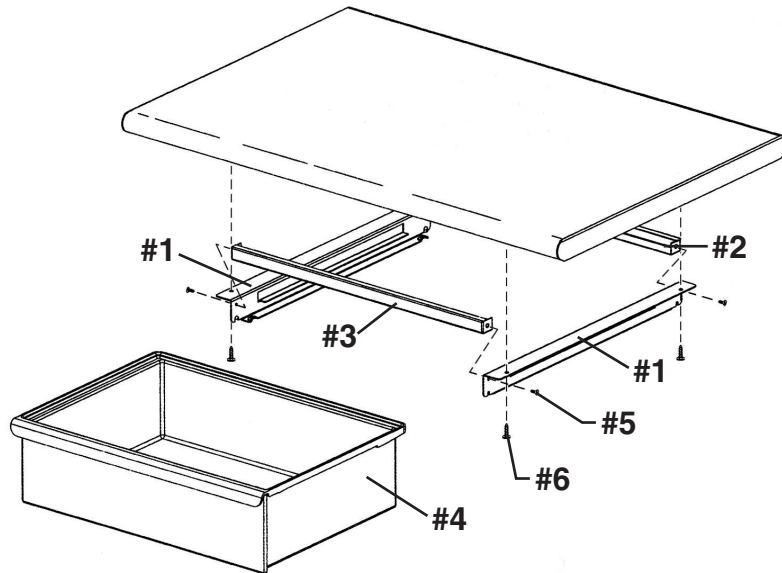
Polymer Drawers

ASSEMBLY INSTRUCTIONS

CAUTION

INSPECT CONTENTS IMMEDIATELY AND FILE CLAIM WITH DELIVERING CARRIER FOR ANY DAMAGE. **SAVE YOUR BOX AND ALL PACKING MATERIALS.** YOU ARE RESPONSIBLE FOR DAMAGE TO YOUR UNIT IF RETURNED IMPROPERLY PACKED.

Parts List



#	qty	part #	description
#1	2	335232	drawer slide for 24"-wide tables
			or
	2	335233	drawer slide for 30"- or 36"-wide tables
#2	1	335238	rear crossbrace
#3	1	335239	front crossbrace
#4	1		polymer drawer
#5	4	331119	#6-32 x 3/8" screw
#6	4	313630*	#12 x 3/4" sheet metal screw

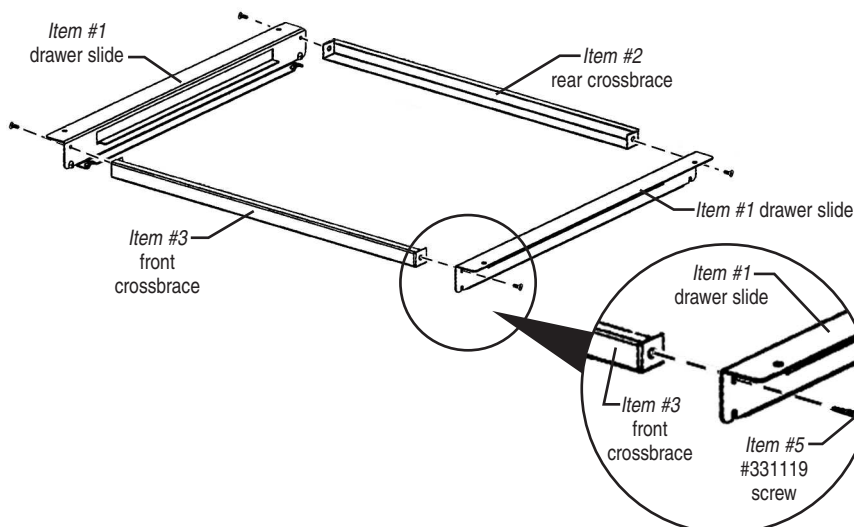
* These screws are premounted to the table channel framing (underneath tabletop), and will be used to mount drawer slide.



(actual size of hardware)

Step 1 - Attach crossbracing to drawer slides.

Note: Front crossbrace has tab for drawer stop.



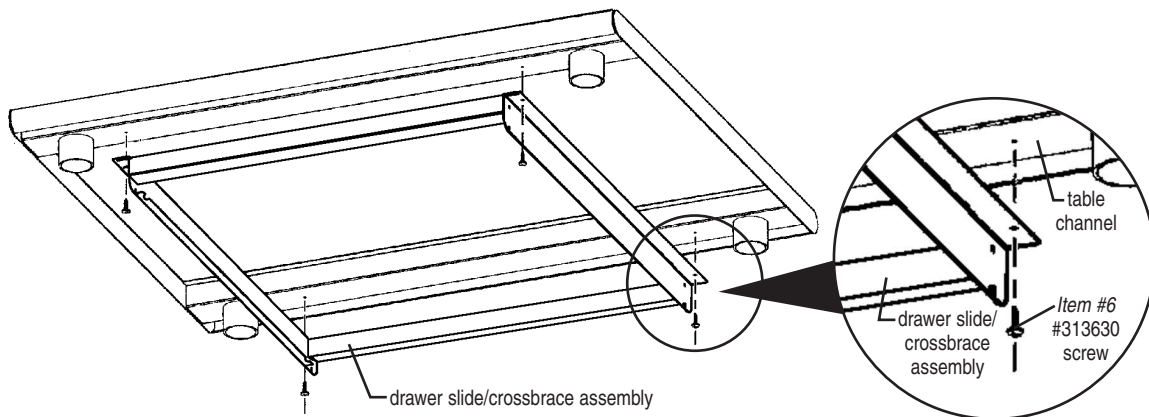
(continued on back page)

Polymer Drawers

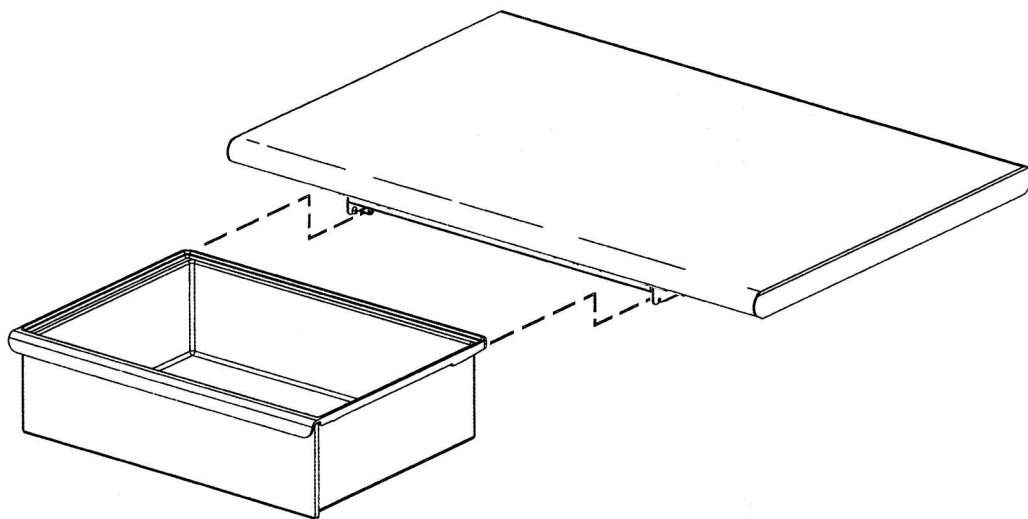
ASSEMBLY INSTRUCTIONS

Step 2 - Attach drawer slide/crossbrace assembly to table.

Underneath tabletop, attach drawer slide/crossbrace assembly to hat channels using #313630 screws found in existing table channel framing.



Step 3 - Insert polymer drawer into drawer slides.



(End)