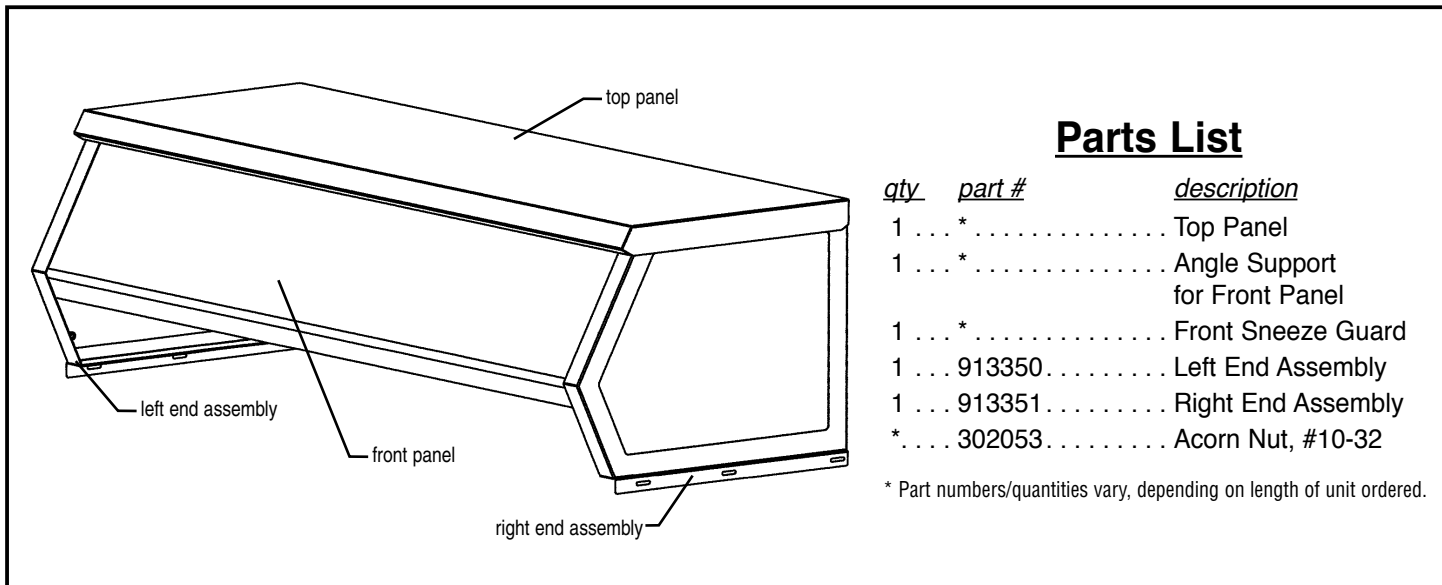


Deluxe Serving Shelf

ASSEMBLY INSTRUCTIONS

CAUTION

INSPECT CONTENTS IMMEDIATELY AND FILE CLAIM WITH DELIVERING CARRIER FOR ANY DAMAGE. **SAVE YOUR BOX AND ALL PACKING MATERIALS.** YOU ARE RESPONSIBLE FOR DAMAGE TO YOUR UNIT IF RETURNED IMPROPERLY PACKED.



Parts List

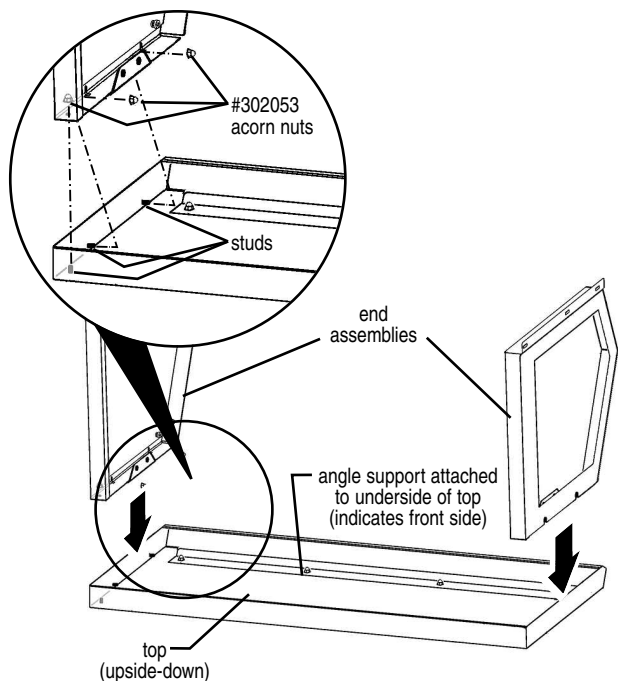
qty	part #	description
1	*	Top Panel
1	*	Angle Support for Front Panel
1	*	Front Sneeze Guard
1	913350	Left End Assembly
1	913351	Right End Assembly
*	302053	Acorn Nut, #10-32

* Part numbers/quantities vary, depending on length of unit ordered.

Step 1 - Assemble end assemblies to top.

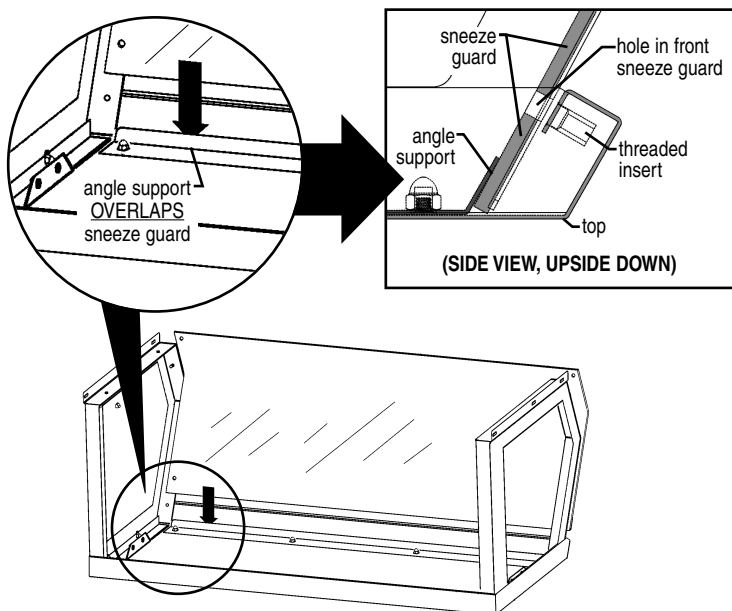
Note: To assemble, turn top upside-down.

Make sure front side of end assemblies (indicated by slant) are aligned with front side of top (indicated by angle support).



Step 2 - Position front sneeze guard as shown.

- Slide front sneeze guard downward until positioned as shown.
- When positioned, sneeze guard should rest inside end assemblies.



(continued on back page)

EG9954 Revised 11/15

Deluxe Serving Shelf

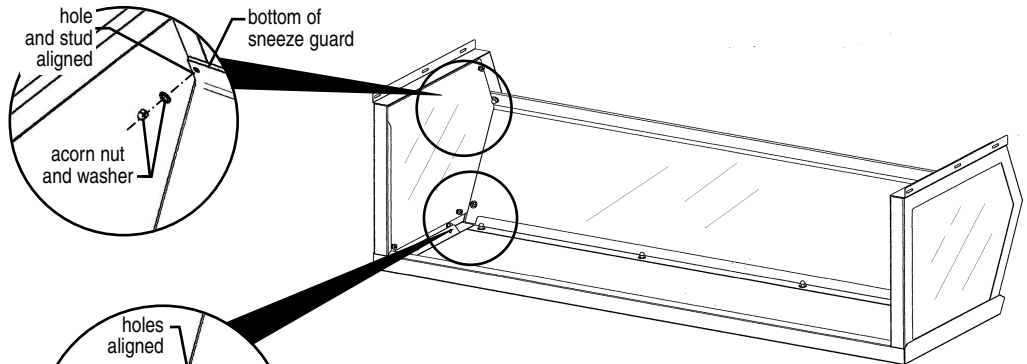
ASSEMBLY INSTRUCTIONS

Step 3 - Attach front sneeze guard to end assemblies.

Note: Should still be upside-down.

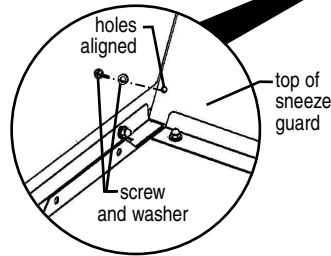
BOTTOM OF SNEEZE GUARD:

- Align sneeze guard holes with studding on end assemblies.
- Secure with acorn nuts and washers as shown.



TOP OF SNEEZE GUARD:

- Align holes.
- Secure with #10 washers and #10-32x1/2" screws as shown.



Step 4 - Attach deluxe serving shelf to Eagle Group hot food table.

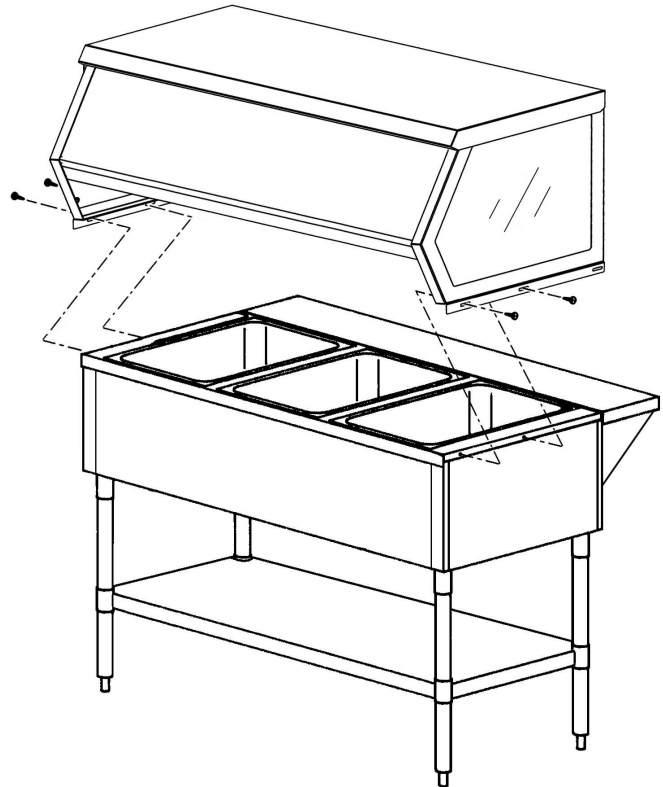
Mount onto hot food table with sneeze guard facing CUSTOMER'S SIDE of table.

- Remove the two frontmost screws on each end of table.
- Place deluxe serving shelf onto hot food table.
- Line up serving shelf holes with holes on table.
- Reinstall screws into original holes.

(End)

To clean all clear panels:

- Wash with mild soap or detergent and with plenty of lukewarm water. Dry with soft cloth or chamois.
- Do NOT use window-cleaning sprays, scouring compounds, acetone, gasoline, benzene, carbon tetrachloride or lacquer thinner.



EAGLE
GROUP
Profit from the Eagle Advantage®

• 100 Industrial Boulevard, Clayton, Delaware 19938-8903 U.S.A. • www.eaglegrp.com
• Phone: 302/653-3000 • (Foodservice) 800/441-8440 • (MHC/Retail) 800/637-5100
• Fax: 302/653-2065

Eagle Foodservice Equipment, Eagle MHC, SpecFAB, and Retail Display are divisions of Eagle Group. ©2015 by the Eagle Group