

CAUTION

INSPECT CONTENTS IMMEDIATELY AND FILE CLAIM WITH DELIVERING CARRIER FOR ANY DAMAGE.

SAVE YOUR BOX AND ALL PACKING MATERIALS.

YOU ARE RESPONSIBLE FOR DAMAGE TO YOUR UNIT IF RETURNED IMPROPERLY PACKED.

BEFORE ASSEMBLY, PLEASE READ:**Helpful Suggestions:**

- All shelves can support an evenly distributed static load of 1,000 lbs.
- **IMPORTANT:** Shelving units should not exceed 4,000 lbs. per set of four posts.
- Large installations are easier if all posts are marked first. Lay posts on floor with leveling bolts against a wall or straight edge. Mark all posts using a magic marker or grease pencil.
- Caster Load: 3 times the caster rating. Unit total not to exceed 900 lbs.

For Best Performance:

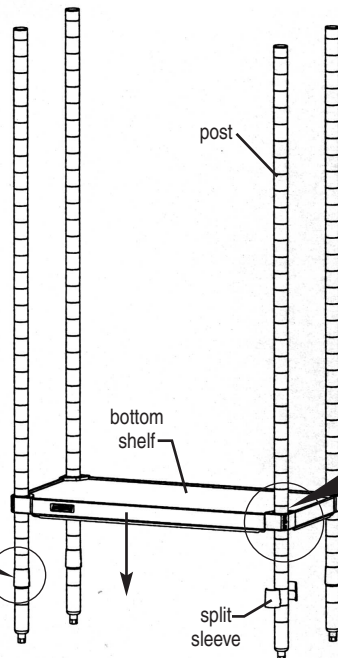
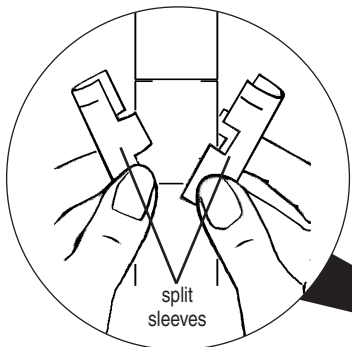
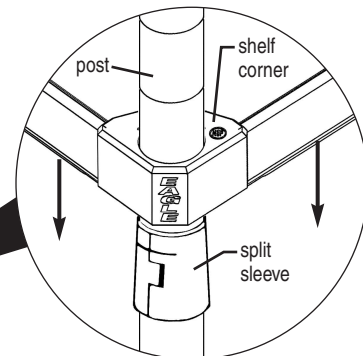
- Units over 50" high should be assembled with no less than 3 shelves—preferably 4 or more—and the bottom shelf should be placed as low as possible or practical.
- On mobile units with 18"-wide shelves, the overall post height should be no greater than 74".
- On mobile units with 24"-wide shelves, the overall post height should be no greater than 86".

FOR STARTER UNITS:

(For Mobile Units, see page 3 on how to install casters BEFORE assembling unit.)

**Step 1 - Attach split sleeves
(for bottom shelf) to posts.**

- The wider part of the taper goes toward the bottom.
- Make sure rib on split sleeve is seated into a groove on the post.

**Step 2 - Mount bottom shelf.**

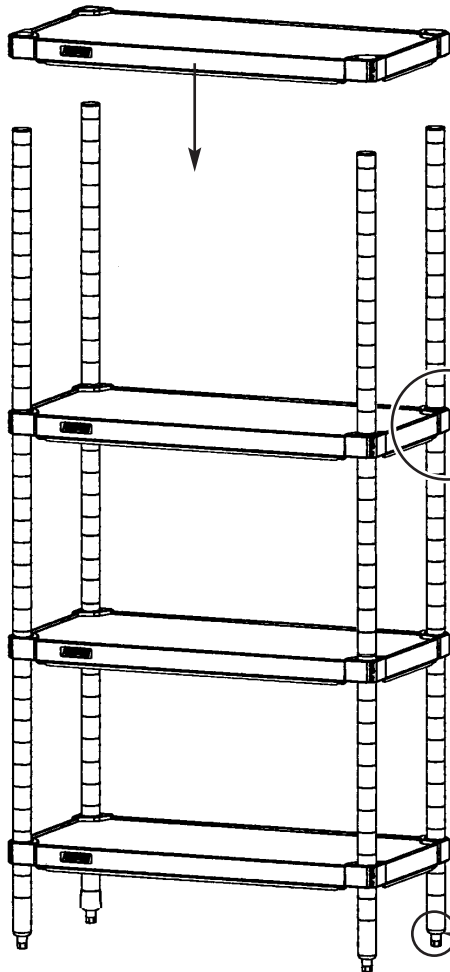
(continued on page 2)

EG9980 Revised 08/14

Quik-Set® Shelving

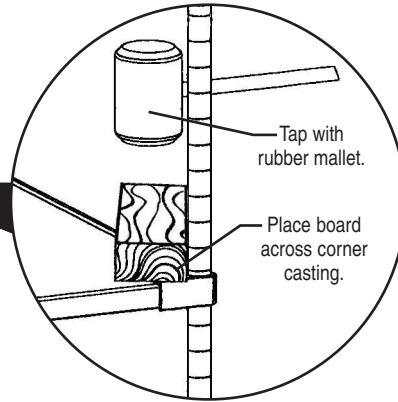
ASSEMBLY INSTRUCTIONS

FOR STARTER UNITS (continued):

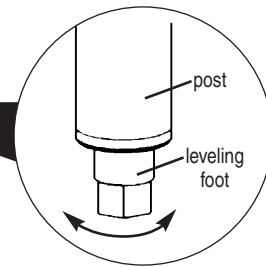


Step 3: Mount additional shelves.
Refer to Steps 1 & 2 (front page), working from bottom to top.

Step 4: Secure all shelves.
Note: Do NOT hammer directly on shelves.



Step 5: Level unit.
The leveling bolts allow approximately 1" adjustment.



(End)



WARNING – TIPPING HAZARD



- Do not step, stand or climb on shelving units.
- Place heavy objects on lowest shelf.

Failure to follow these guidelines can result in property damage or personal injury.

For Mobile Units, see page 3.

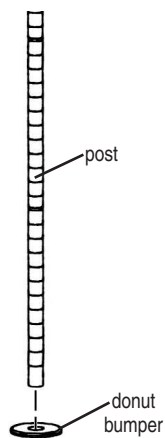
Quik-Set® Shelving

ASSEMBLY INSTRUCTIONS

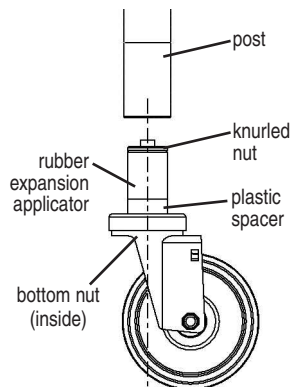
FOR MOBILE UNITS:

Step 1 - Place donut bumpers onto bottom end of post.

Bottom is end with hole for caster stem.



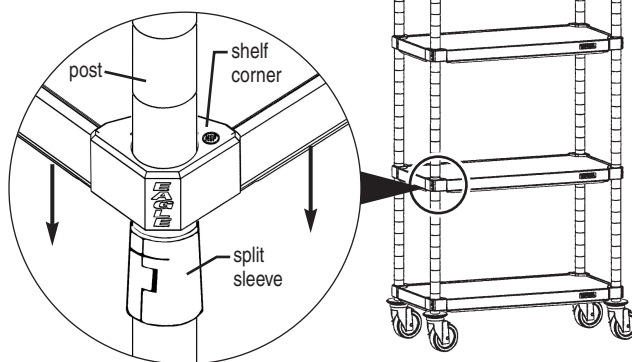
Step 2 - Attach casters to posts.



- Tighten knurled nut until rubber applicator starts to expand. Caster should fit snugly into post (tighten knurled nut further if required).
- With caster fully inserted into post, tighten bottom nut securely from underside.

Step 3 - Mount shelves.

Refer to Steps 1 & 2 (front page), working from bottom to top.



(End)

Notes about Mobile Units:

- **IMPORTANT:** Mobile units should not exceed 900 lbs. per set of four posts.
- First shelf should be located at bottom groove for most stability.
- Do not construct carts with shelves less than 18" wide.
- Inspect and maintain casters regularly. Replace casters that are damaged or severely worn.



WARNING – TIPPING HAZARD

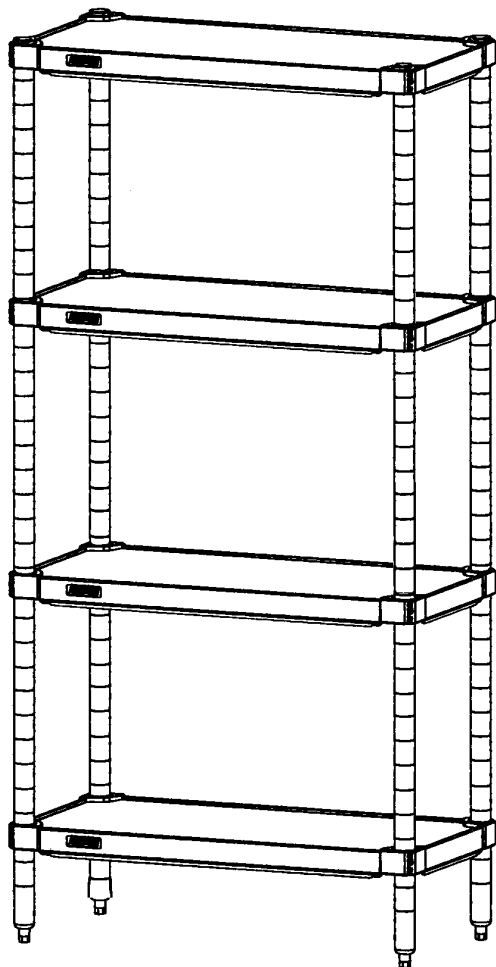


- Push mobile units in long direction.
- Use caution when moving heavily loaded carts. Heavy loads are hard to control.
- Do not step, stand or climb on shelving units.
- Place heavy objects on lowest shelf.
- Inspect casters before use.
- Replace casters that are worn immediately.

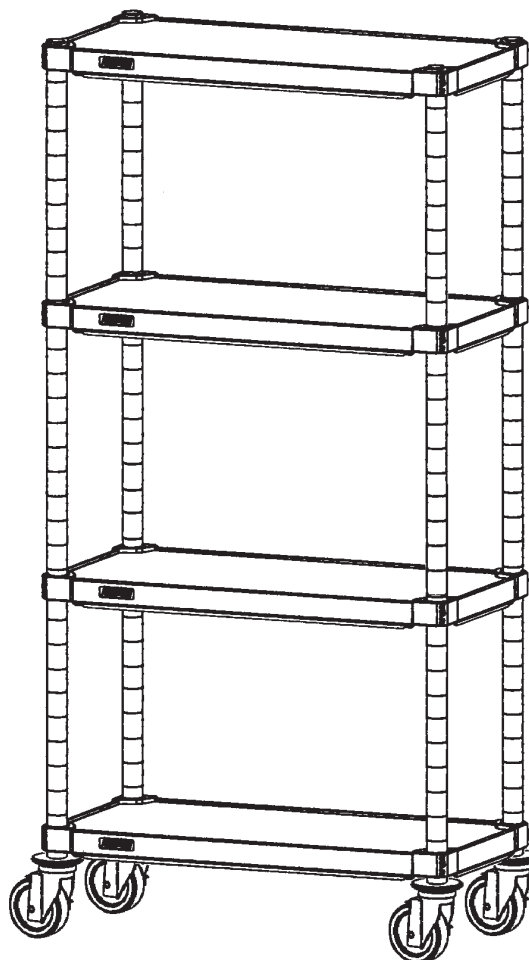
Failure to follow these guidelines can result in property damage or personal injury.

Quik-Set® Shelving

ASSEMBLY INSTRUCTIONS



starter unit assembled



mobile unit assembled



- 100 Industrial Boulevard, Clayton, Delaware 19938-8903 U.S.A. • www.eaglegrp.com
- Phone: 302/653-3000 • (Foodservice) 800/441-8440 • (MHC/Retail) 800/637-5100
- Fax: 302/653-2065