

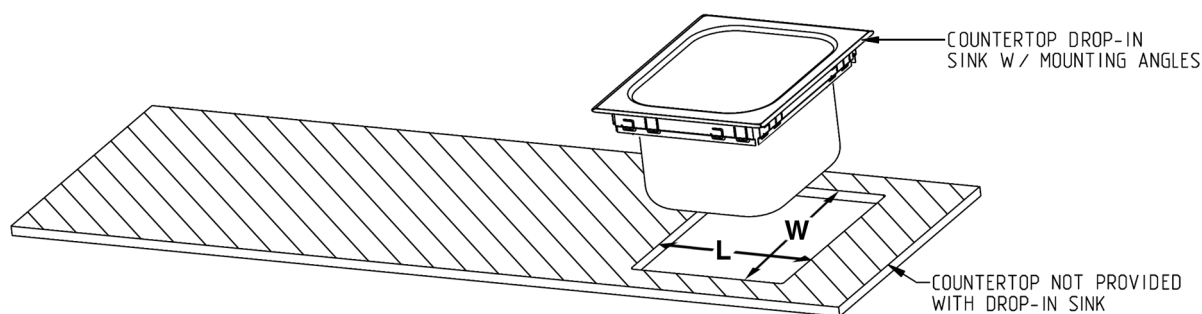
# Top-Mount Countertop Drop-In Self-Rim Design Sinks

## INSTALLATION INSTRUCTIONS

FOR MOUNTING SINK ONTO UNDERSIDE OF COUNTERTOP  
(ALSO KNOWN AS “BOTTOM MOUNT”), SEE PAGE 3.

### CAUTION

INSPECT CONTENTS IMMEDIATELY AND FILE CLAIM WITH DELIVERING CARRIER FOR ANY DAMAGE.  
**SAVE YOUR BOX AND ALL PACKING MATERIALS.**  
YOU ARE RESPONSIBLE FOR DAMAGE TO YOUR UNIT IF RETURNED IMPROPERLY PACKED.



## Top-Mount Cutout Dimensions

model # cutout dimensions  
(width x length)

### One-Compartment Sinks

<b>SR10-14-5-1-ND</b>	15 <sup>1</sup> / <sub>4</sub> " x 11 <sup>1</sup> / <sub>4</sub> "
<b>SR10-14-9.5-1-ND</b>	15 <sup>1</sup> / <sub>4</sub> " x 11 <sup>1</sup> / <sub>4</sub> "
<b>SR12-14-9.5-1-ND</b>	15 <sup>1</sup> / <sub>4</sub> " x 13 <sup>1</sup> / <sub>4</sub> "
<b>SR14-16-9.5-1-ND</b>	17 <sup>1</sup> / <sub>4</sub> " x 15 <sup>1</sup> / <sub>4</sub> "
<b>SR16-19-8-1-ND</b>	21" x 17"
<b>SR16-19-13.5-1-ND</b>	21" x 17"
<b>SR18-24-13.5-1-ND</b>	25" x 19"
<b>SR22-22-13.5-1-ND</b>	23 <sup>1</sup> / <sub>4</sub> " x 23 <sup>1</sup> / <sub>4</sub> "
<b>SR24-24-13.5-1-ND</b>	25" x 25"

### Two-Compartment Sinks

<b>SR10-14-9.5-2-ND</b>	15 <sup>1</sup> / <sub>4</sub> " x 23 <sup>1</sup> / <sub>4</sub> "
<b>SR12-14-9.5-2-ND</b>	15 <sup>1</sup> / <sub>4</sub> " x 27 <sup>1</sup> / <sub>4</sub> "

model # cutout dimensions  
(width x length)

### Two-Compartment Sinks

<b>SR14-16-9.5-2-ND</b>	17 <sup>1</sup> / <sub>4</sub> " x 31 <sup>1</sup> / <sub>4</sub> "
<b>SR16-19-8-2-ND</b>	21" x 34 <sup>1</sup> / <sub>4</sub> "
<b>SR16-19-13.5-2-ND</b>	21" x 34 <sup>1</sup> / <sub>4</sub> "
<b>SR18-24-13.5-2-ND</b>	25" x 38 <sup>1</sup> / <sub>4</sub> "
<b>SR22-22-13.5-2-ND</b>	23 <sup>1</sup> / <sub>4</sub> " x 47 <sup>1</sup> / <sub>4</sub> "
<b>SR24-24-13.5-2-ND</b>	25" x 50 <sup>1</sup> / <sub>4</sub> "

### Three-Compartment Sinks

<b>SR10-14-9.5-3-ND</b>	15 <sup>1</sup> / <sub>4</sub> " x 35 <sup>1</sup> / <sub>4</sub> "
<b>SR12-14-9.5-3-ND</b>	15 <sup>1</sup> / <sub>4</sub> " x 41 <sup>1</sup> / <sub>4</sub> "
<b>SR14-16-9.5-3-ND</b>	17 <sup>1</sup> / <sub>4</sub> " x 47 <sup>1</sup> / <sub>4</sub> "
<b>SR16-19-8-3-ND</b>	21" x 52 <sup>1</sup> / <sub>2</sub> "
<b>SR16-19-13.5-3-ND</b>	21" x 52 <sup>1</sup> / <sub>2</sub> "
<b>SR18-24-13.5-3-ND</b>	25" x 58 <sup>1</sup> / <sub>2</sub> "

(continued on next page)

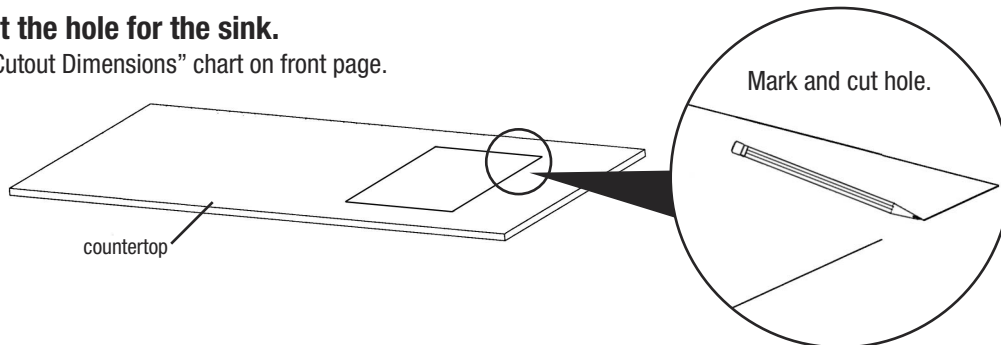
EG9994 Revised 08/22

# Top-Mount Countertop Drop-In Self-Rim Design Sinks

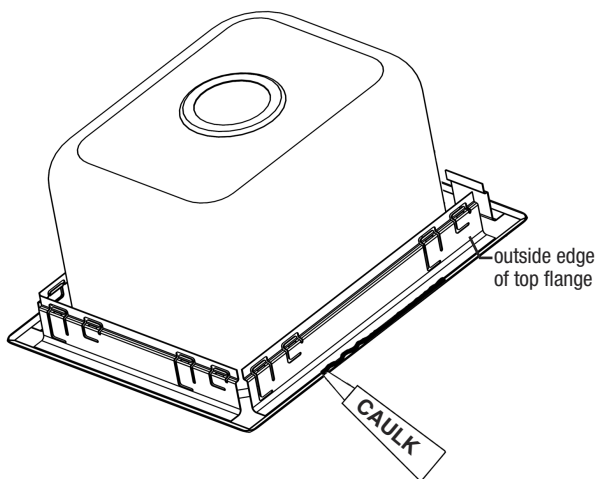
## INSTALLATION INSTRUCTIONS

### Step 1 - Cut the hole for the sink.

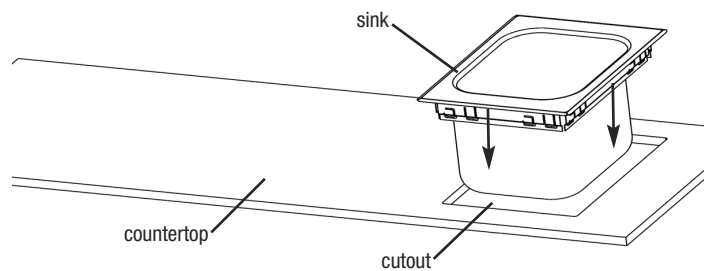
Refer to the "Cutout Dimensions" chart on front page.



### Step 2 - Caulk under the outside edge of the top flange.

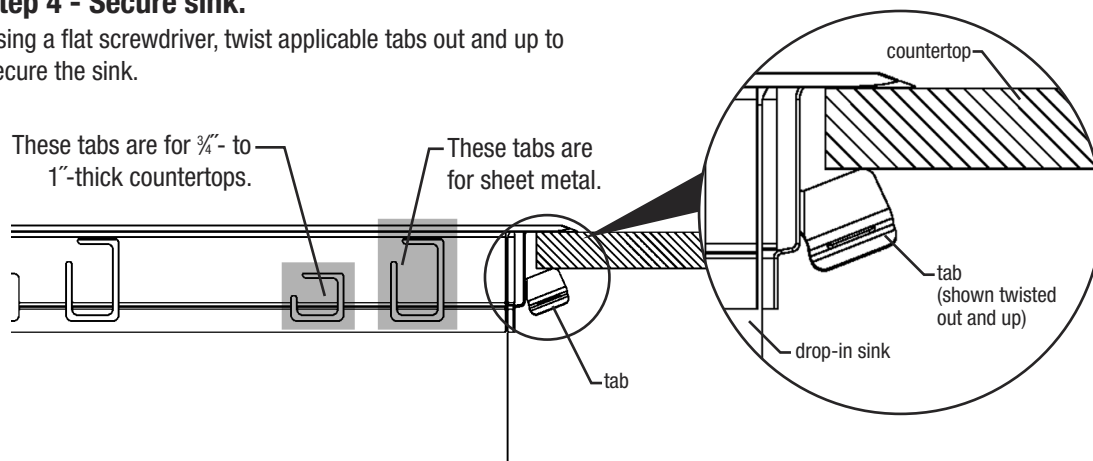


### Step 3 - Carefully place the sink inside the cutout.



### Step 4 - Secure sink.

Using a flat screwdriver, twist applicable tabs out and up to secure the sink.

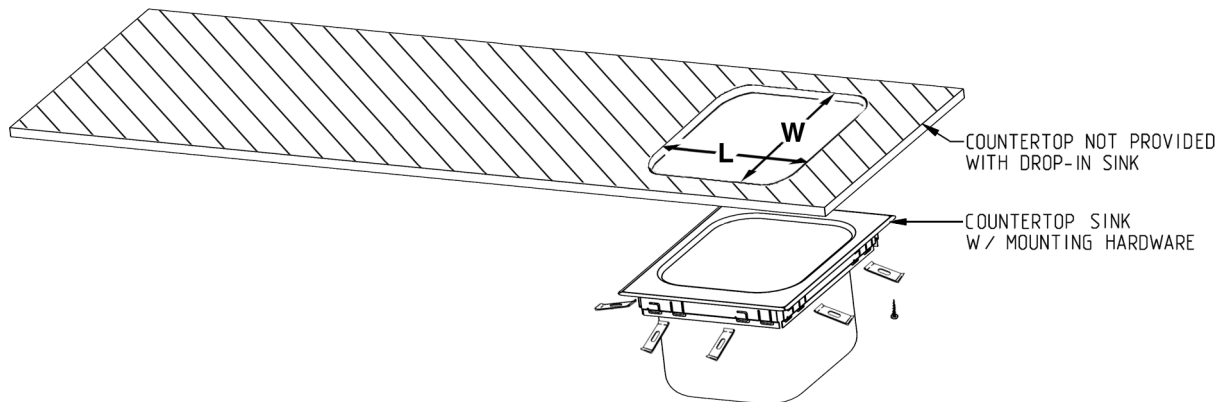


(End)

# Bottom-Mount Countertop Self-Rim Design Sinks

## INSTALLATION INSTRUCTIONS

FOR MOUNTING SINK ONTO TOP SIDE OF COUNTERTOP  
(ALSO KNOWN AS “TOP MOUNT”), SEE FRONT PAGE.



### Bottom-Mount Cutout Dimensions

sink model #	cutout dimensions (width x length)	corner radius
<b>One-Compartment Sinks</b>		
SR10-14-5-1-ND	14 <sup>13</sup> / <sub>16</sub> " x 10 <sup>13</sup> / <sub>16</sub> "	3 <sup>5</sup> / <sub>8</sub> "
SR10-14-9.5-1-ND	14 <sup>13</sup> / <sub>16</sub> " x 10 <sup>13</sup> / <sub>16</sub> "	3 <sup>5</sup> / <sub>8</sub> "
SR12-14-9.5-1-ND	14 <sup>3</sup> / <sub>8</sub> " x 12 <sup>3</sup> / <sub>8</sub> "	3 <sup>1</sup> / <sub>4</sub> "
SR14-16-9.5-1-ND	16 <sup>5</sup> / <sub>8</sub> " x 14 <sup>5</sup> / <sub>8</sub> "	3 <sup>5</sup> / <sub>8</sub> "
SR16-19-8-1-ND	20 <sup>5</sup> / <sub>8</sub> " x 16 <sup>5</sup> / <sub>8</sub> "	4"
SR16-19-13.5-1-ND	20 <sup>5</sup> / <sub>8</sub> " x 16 <sup>5</sup> / <sub>8</sub> "	4"
SR18-24-13.5-1-ND	24 <sup>5</sup> / <sub>8</sub> " x 18 <sup>5</sup> / <sub>8</sub> "	4"
SR22-22-13.5-1-ND	22 <sup>5</sup> / <sub>8</sub> " x 22 <sup>5</sup> / <sub>8</sub> "	4"
SR24-24-13.5-1-ND	24 <sup>11</sup> / <sub>16</sub> " x 24 <sup>11</sup> / <sub>16</sub> "	4 <sup>1</sup> / <sub>4</sub> "

<b>Two-Compartment Sinks</b>		
SR10-14-9.5-2-ND	14 <sup>13</sup> / <sub>16</sub> " x 23"	3 <sup>5</sup> / <sub>8</sub> "
SR12-14-9.5-2-ND	14 <sup>3</sup> / <sub>8</sub> " x 26 <sup>5</sup> / <sub>8</sub> "	3 <sup>1</sup> / <sub>4</sub> "

sink model #	cutout dimensions (width x length)	corner radius
<b>Two-Compartment Sinks</b>		
SR14-16-9.5-2-ND	16 <sup>5</sup> / <sub>8</sub> " x 30 <sup>5</sup> / <sub>8</sub> "	3 <sup>5</sup> / <sub>8</sub> "
SR16-19-8-2-ND	20 <sup>5</sup> / <sub>8</sub> " x 34 <sup>1</sup> / <sub>4</sub> "	4"
SR16-19-13.5-2-ND	20 <sup>5</sup> / <sub>8</sub> " x 34 <sup>1</sup> / <sub>4</sub> "	4"
SR18-24-13.5-2-ND	24 <sup>5</sup> / <sub>8</sub> " x 38 <sup>1</sup> / <sub>2</sub> "	4"
SR22-22-13.5-2-ND	22 <sup>5</sup> / <sub>8</sub> " x 46 <sup>5</sup> / <sub>8</sub> "	4"
SR24-24-13.5-2-ND	24 <sup>13</sup> / <sub>16</sub> " x 50 <sup>1</sup> / <sub>4</sub> "	4 <sup>1</sup> / <sub>4</sub> "

<b>Three-Compartment Sinks</b>		
SR10-14-9.5-3-ND	14 <sup>13</sup> / <sub>16</sub> " x 35"	3 <sup>5</sup> / <sub>8</sub> "
SR12-14-9.5-3-ND	14 <sup>3</sup> / <sub>8</sub> " x 40 <sup>5</sup> / <sub>8</sub> "	3 <sup>1</sup> / <sub>4</sub> "
SR14-16-9.5-3-ND	16 <sup>5</sup> / <sub>8</sub> " x 46 <sup>5</sup> / <sub>8</sub> "	3 <sup>5</sup> / <sub>8</sub> "
SR16-19-8-3-ND	20 <sup>5</sup> / <sub>8</sub> " x 52 <sup>1</sup> / <sub>4</sub> "	4"
SR16-19-13.5-3-ND	20 <sup>5</sup> / <sub>8</sub> " x 52 <sup>1</sup> / <sub>4</sub> "	4"
SR18-24-13.5-3-ND	24 <sup>5</sup> / <sub>8</sub> " x 58 <sup>1</sup> / <sub>4</sub> "	4"

(continued on back page)

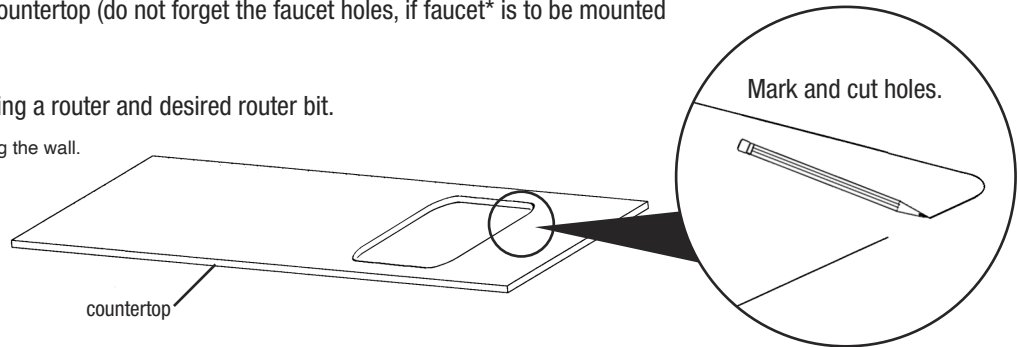
# Bottom-Mount Countertop Self-Rim Design Sinks

## INSTALLATION INSTRUCTIONS

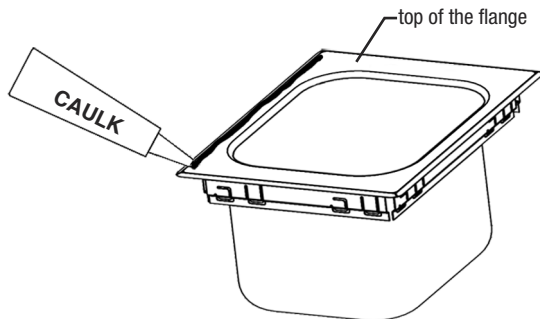
### Step 1 - Referring to the cutout template (if included), cut the hole for the sink.

- Check the size of the template with the sink.
- Carefully cut out the template, according to "BOTTOM MOUNTING" verbiage.
- Transfer the dimensions to the countertop (do not forget the faucet holes, if faucet\* is to be mounted with sink onto countertop).
- Cut the hole.
- Finish the edge of the cutout, using a router and desired router bit.

\* Faucet can be mounted anywhere, including the wall.

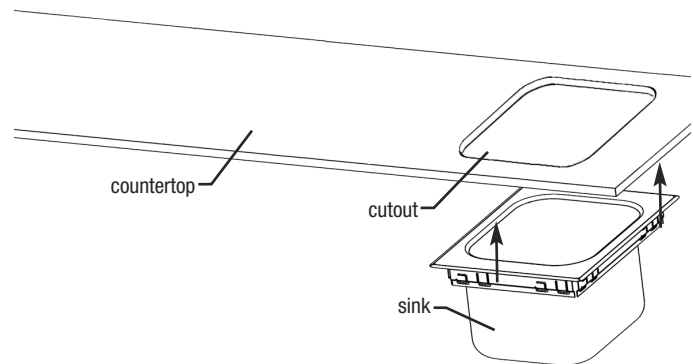


### Step 2 - Caulk the top of the flange.



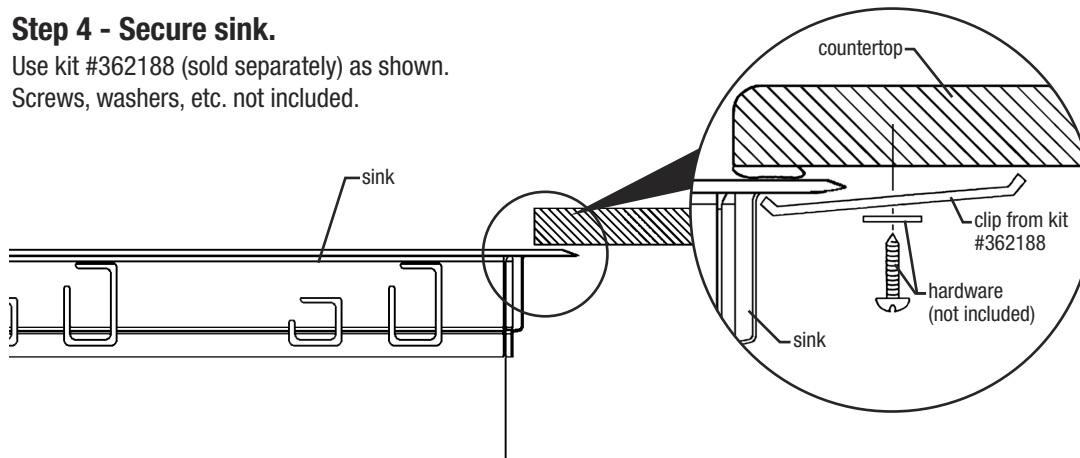
### Step 3 - Place the sink under the cutout.

A second person, or a temporary prop, might be needed to hold the sink in place.



### Step 4 - Secure sink.

Use kit #362188 (sold separately) as shown.  
Screws, washers, etc. not included.



(End)