



T&S BRASS AND BRONZE WORKS, INC.

2 Saddleback Cove / P.O. Box 1088
Travelers Rest, SC 29690



REG. #A2601
ISO #9001

Model No.

B-0666-POL

Item No.

Travelers Rest, SC: 800-476-4103 Simi Valley, CA: 800-423-0150 Fax: 864-834-3518 www.tsbrass.com

This Space for Architect/Engineer Approval

Job Name _____ Date _____

Model Specified _____ Quantity _____

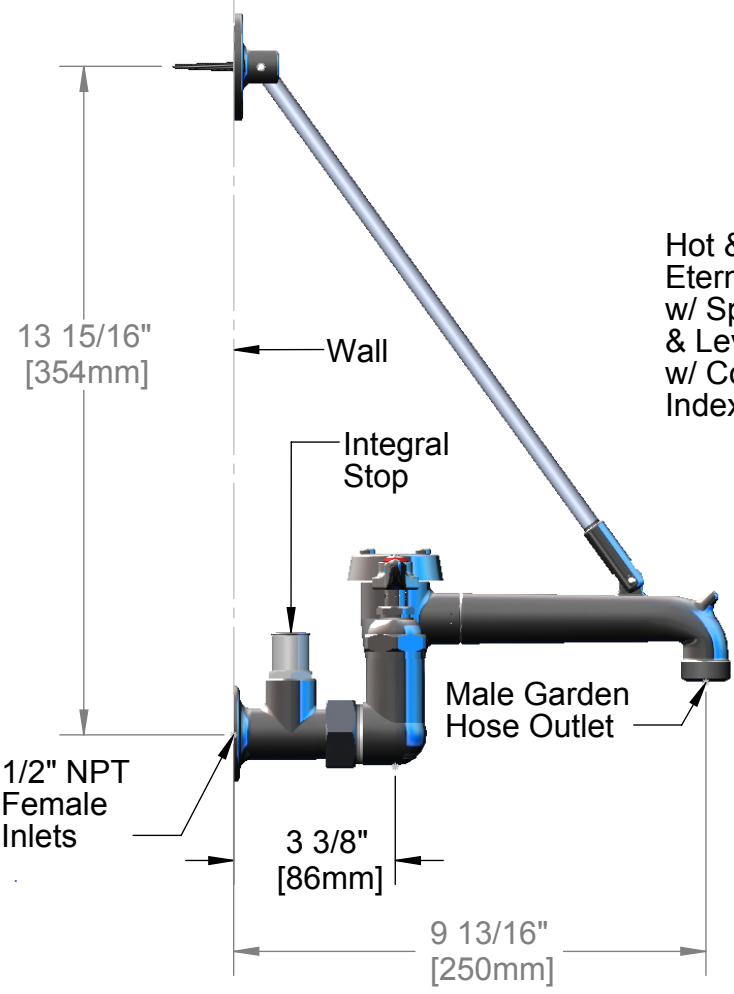
Customer/Wholesaler _____

Contractor _____

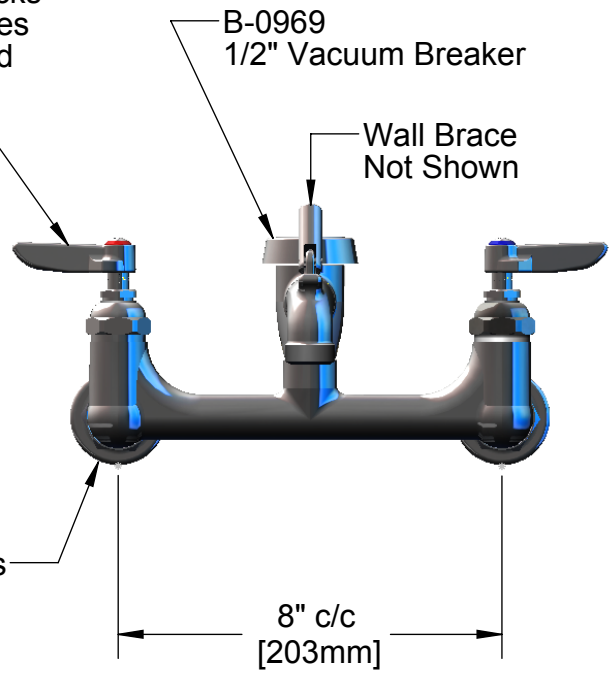
Architect/Engineer _____



ADA Compliant



Hot & Cold
Eterna Cartridges
w/ Spring Checks
& Lever Handles
w/ Color Coded
Indexes



Product Specifications:

Service Sink Faucet, Polished Chrome Finish, Lever Handles, Integral Stops, Vacuum Breaker, Wall Brace Assembly, 1/2" NPT Female Inlets & Male Garden Hose Outlet

Drawn DHL	Checked GEF	Approved JHB
Scale: 1:4	Date: 5/16/08	



T&S BRASS AND BRONZE WORKS, INC.

2 Saddleback Cove / P.O. Box 1088
Travelers Rest, SC 29690



REG. #A2601
ISO #9001

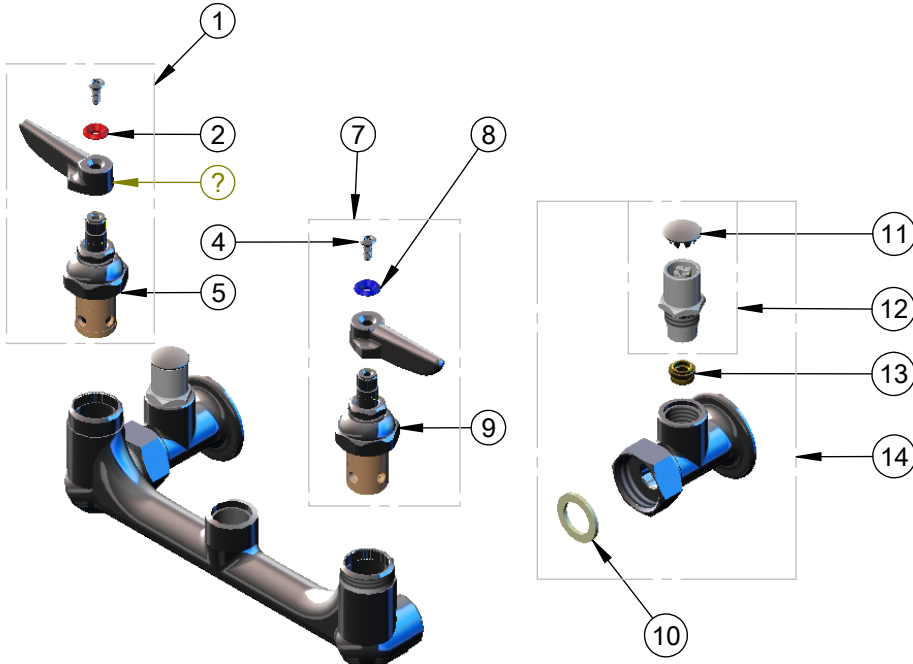
Model No.
B-0666-POL

Item No.

Travelers Rest, SC: 800-476-4103 Simi Valley, CA: 800-423-0150 Fax: 864-834-3518 www.tsbrass.com



ITEM NO.	SALES NO.	DESCRIPTION
1	002712-40	Hot Eterna Spindle Assembly w/ Spring Check, Handle, Index & Screw
2	001661-45	Red Index-HW
3	001638-45	Lever Handle
4	000922-45	Lever Handle Screw
5	012443-40	Hot Eterna Spindle Assembly w/ Spring Check
6	B-0969	Vacuum Breaker, 1/2"
7	002711-40	Cold Eterna Spindle Assembly w/ Spring Check, Handle, Index & Screw
8	001660-45	Blue Index-CW
9	012442-40	Cold Eterna Spindle Assembly w/ Spring Check
10	001019-45	Coupling Nut Washer
11	001605-45	Cap
12	002892-40	Spindle Asm w/ Cap
13	000763-20	Seat
14	00JJ	Flange w/ Integral Stop Asm, 1/2" NPT Female Inlet



Product Specifications:

Service Sink Faucet, Polished Chrome Finish, Lever Handles, Integral Stops, Vacuum Breaker, Wall Brace Assembly, 1/2" NPT Female Inlets & Male Garden Hose Outlet

Drawn DHL	Checked GEF	Approved JHB
Scale: 1:4	Date: 5/16/08	