

**APPLICATION:**

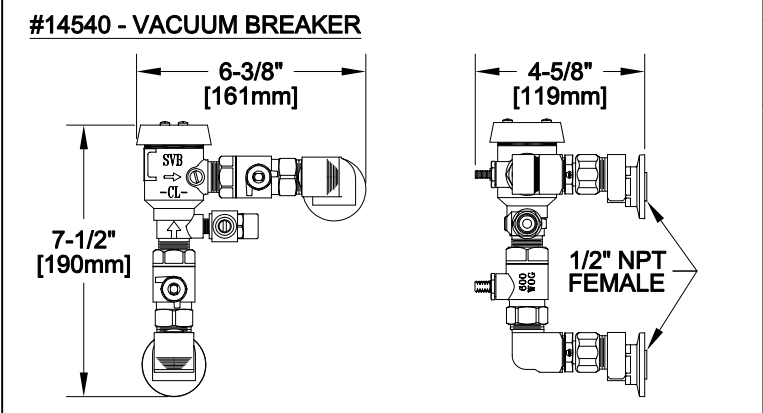
**JOB NAME:**

**QUANTITY:** \_\_\_\_\_ **ITEM NO.:** \_\_\_\_\_

**PRODUCT NAME:**  
**CONCEALED PIPING REEL RINSE  
 INSTALLATION KIT**

**SPECIAL CONFIGURATION  
 CHECK BASE MODEL AND OPTIONS**

**MODEL:**  
 **28266**



**OPTIONS OR MODIFICATIONS:**  
 **OTHER** \_\_\_\_\_

**FEATURES**

- KIT INCLUDES THE FOLLOWING**
- #14540 - VACUUM BREAKER (QTY: 1)
  - #13676 - CONTROL VALVE (QTY: 3)
  - #2936-9000 - CHECK VALVE (QTY: 2)

- VACUUM BREAKER**
- \* ANTI-SPILL DESIGN
  - \* ASSE - 1056 APPROVED
  - \* ADJUSTABLE ECCENTRICS INCLUDED

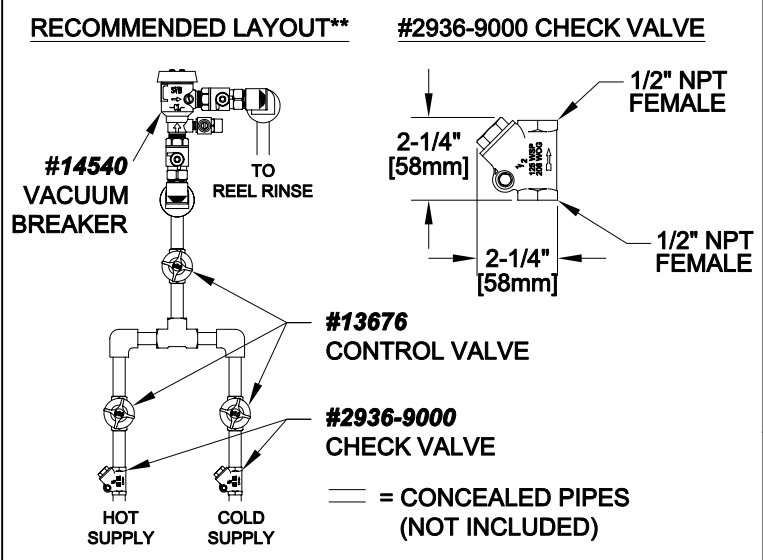
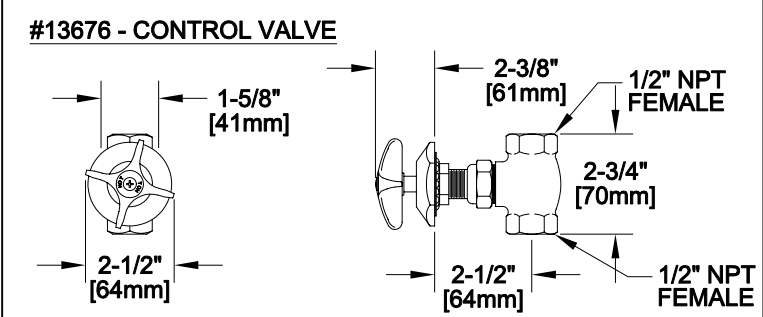
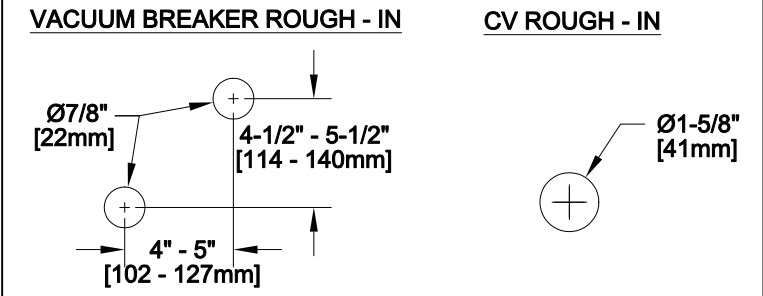
- CONTROL VALVE**
- \* ADJUSTABLE WALL DEPTH
  - \* INTERNAL SPRING LOADED CHECK VALVES
  - \* SWIVELLING SEAT DISKS
  - \* RIGHT HAND SWIVEL STEM WITH CROSS HANDLES
  - \* STAINLESS STEEL SEATS
  - \* STAINLESS STEEL SEAT SCREWS
  - \* STAINLESS STEEL HANDLE SCREWS
  - \* BLUE AND RED INDEX BUTTONS INCLUDED

- CHECK VALVE**
- \* BRASS BODY
  - \* ALLOWS FLUID FLOW IN 1 DIRECTION ONLY

- SYSTEM LIMITS**
- \* TEMP: 40°F MIN. TO 140°F MAX.
  - \* PRESSURE: 150 PSI MAX STATIC

- SHIPPING WEIGHT**
- \* 7.5 LBS

\*\* PIPES, ELBOWS AND TEES NOT INCLUDED



**FISHER**  
 FISHER MANUFACTURING COMPANY  
 TOLL FREE: 800-421-6162 - FAX: 800-832-8238  
 information@fisher-mfg.com - www.fisher-mfg.com