

"PRD-C" POT RACKS - CEILING MOUNT

Double Bar - Stainless Steel Construction w/Stainless Steel Hooks

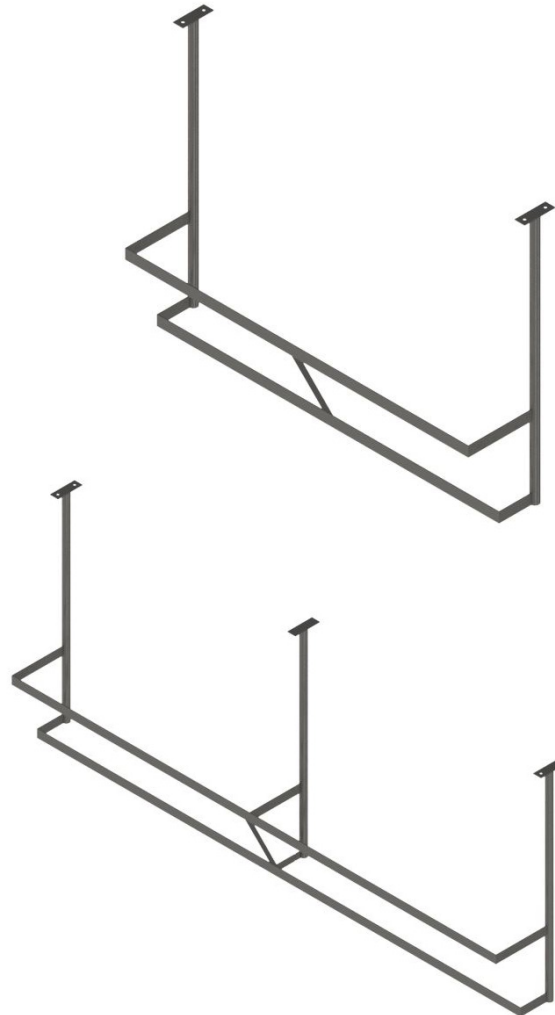
FEATURES:

- Type 300 Stainless Steel
- All Racks Provided With Type 300 Stainless Steel Hooks (See Table For Quantity Per Size)
- Welded Setup
- Standard Ceiling Mount
- Recommended Ceiling Height 10'

SPECIFICATIONS:

- Made Of 3/16"x2" Stainless Steel Flat Bar
- Uprights: 1-5/8" O.D. Round Tube, 16GA Type 300 Stainless Steel

CERTIFICATIONS:



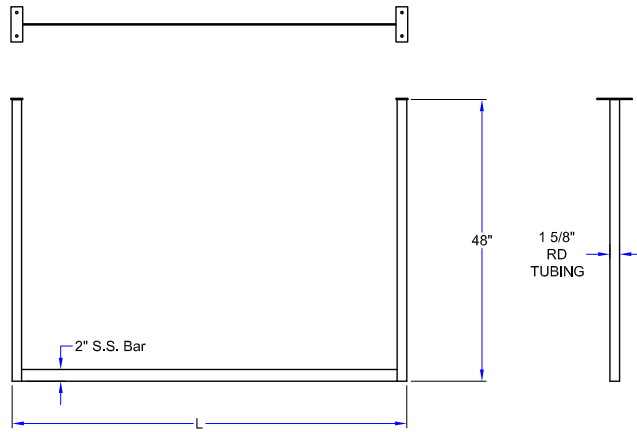
"PRD-C" POT RACK

MODEL	# OF UPRIGHTS	TABLE LENGTH	LENGTH	# OF HOOKS	WT. (LBS)
PRD1A-C	2	36"	31-1/4"	6	21
PRD1-C	2	48"	43-1/4"	8	24
PRD2-C	2	60"	55-1/4"	10	27
PRD3-C	2	72"	67-1/4"	12	30
PRD3A-C	3	84"	79-1/4"	14	39
PRD4-C	3	96"	91-1/4"	16	42
PRD4A-C	3	108"	103-1/4"	18	45
PRD5-C	3	120"	115-1/4"	20	48
PRD6-C	3	132"	127-1/4"	22	51
PRD7-C	3	144"	139-1/4"	24	53

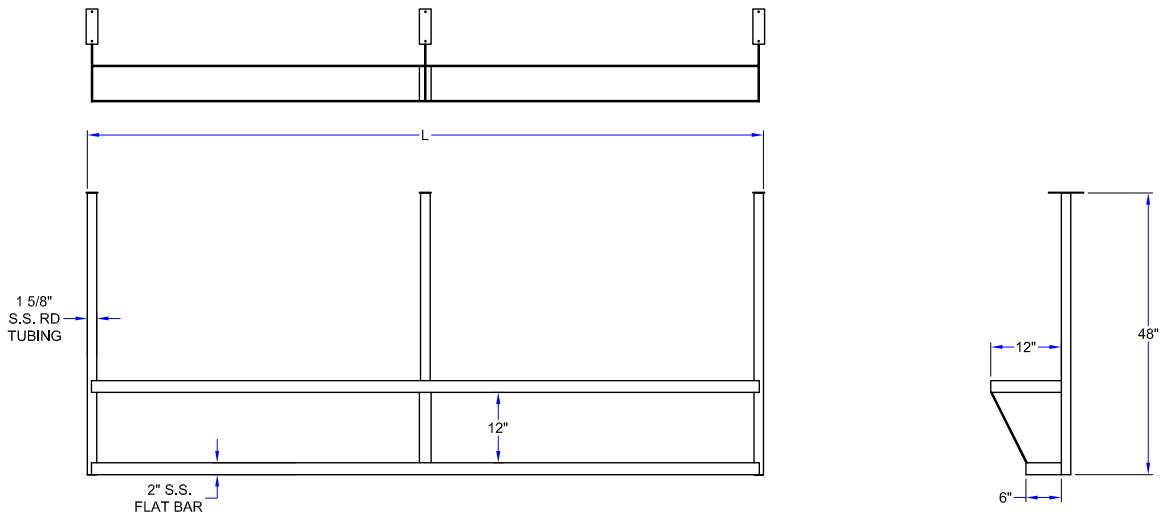
ALL DIMENSIONS ARE TYPICAL. TOLERANCE +/- .500". JOHN BOOS & CO. RESERVES THE RIGHT TO CHANGE SPECIFICATIONS WITHOUT NOTICE.

DETAILED SPECIFICATIONS

2 UPRIGHT MODELS



3 UPRIGHT MODELS



"PRD-C" POT RACK

MODEL	# OF UPRIGHTS	TABLE LENGTH	LENGTH	# OF HOOKS	WT. (LBS)
PRD1A-C	2	36"	31-1/4"	6	21
PRD1-C	2	48"	43-1/4"	8	24
PRD2-C	2	60"	55-1/4"	10	27
PRD3-C	2	72"	67-1/4"	12	30
PRD3A-C	3	84"	79-1/4"	14	39
PRD4-C	3	96"	91-1/4"	16	42
PRD4A-C	3	108"	103-1/4"	18	45
PRD5-C	3	120"	115-1/4"	20	48
PRD6-C	3	132"	127-1/4"	22	51
PRD7-C	3	144"	139-1/4"	24	53

ALL DIMENSIONS ARE TYPICAL. TOLERANCE +/- .500". JOHN BOOS & CO. RESERVES THE RIGHT TO CHANGE SPECIFICATIONS WITHOUT NOTICE.