



T&S BRASS AND BRONZE WORKS, INC.

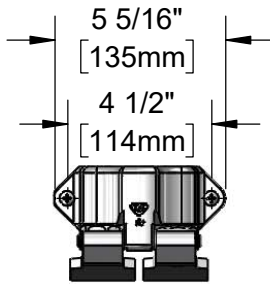
2 Saddleback Cove / P.O. Box 1088
Travelers Rest, SC 29690

Model No.

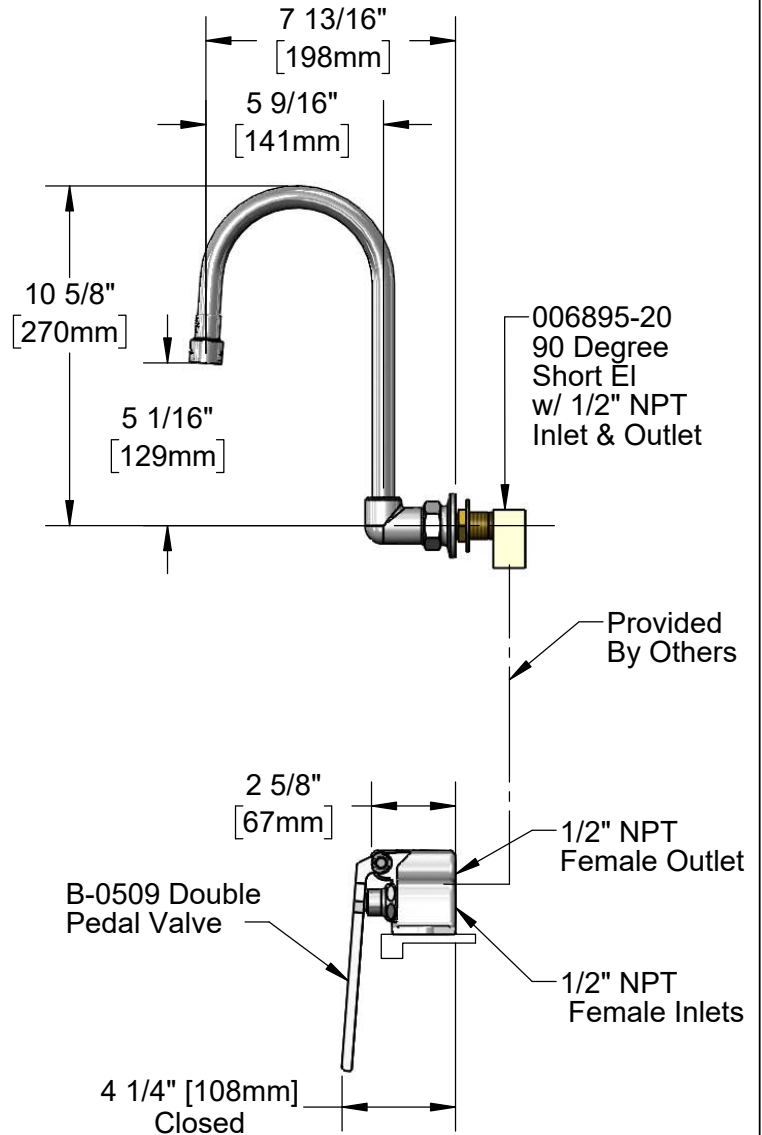
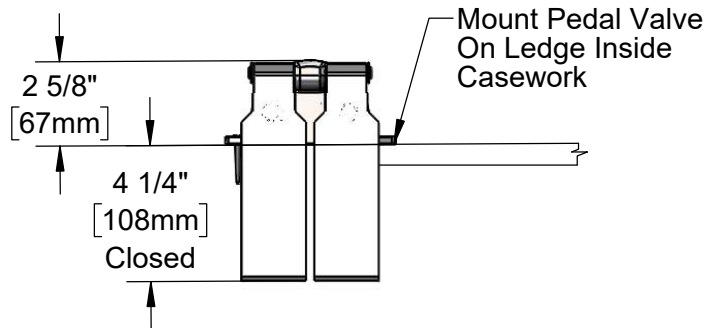
B-0509-537KVL15

Item No.

Travelers Rest, SC: 800-476-4103 • Simi Valley, CA: 800-423-0150 • Fax: 864-834-3518 • www.tsbrass.com



Dummy Rigid
Gooseneck w/
B-0199-29VR
1.5 GPM Vandal
Resistant Laminar
Flow Device



Product Specifications:
Wall-Mounted Double Pedal Valve w/ Dummy Rigid Gooseneck and 1.5 GPM
Vandal Resistant Laminar Flow Device

Product Compliance:
ASME A112.18.1 / CSA B125.1
NSF 61 - Section 9
NSF 372 (Low Lead Content)



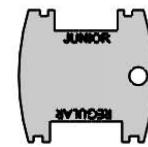
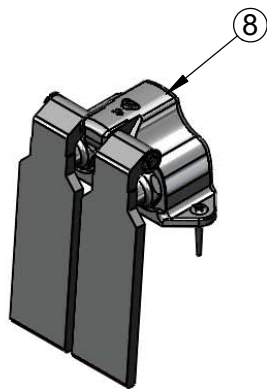
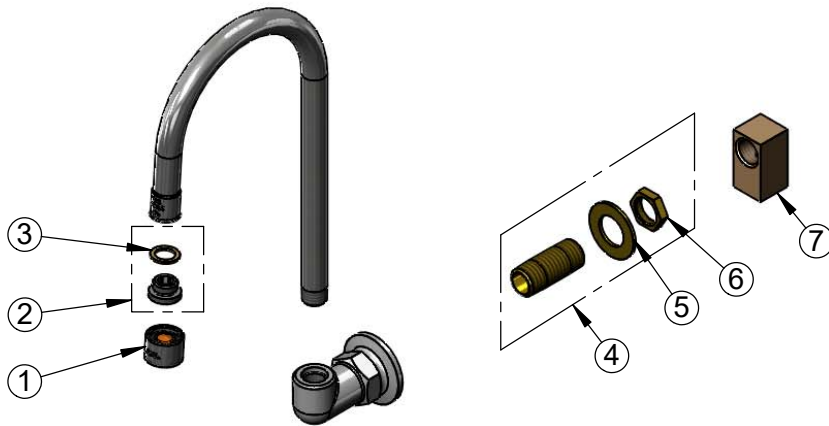
T&S BRASS AND BRONZE WORKS, INC.
 2 Saddleback Cove / P.O. Box 1088
 Travelers Rest, SC 29690

Model No.
B-0509-537KVL15

Item No.

Travelers Rest, SC: 800-476-4103 • Simi Valley, CA: 800-423-0150 • Fax: 864-834-3518 • www.tsbrass.com

ITEM NO.	SALES NO.	DESCRIPTION
1	B-0199-29VR	VR 1.5 GPM Laminar Flow Device, 55/64-27 UN Female w/ Key
2	044A	3/8" to Aerator Adapter
3	001043-45	Washer
4	B-0435	1/2" NPT Supply Nipple Kit
5	000999-45	Brass Lock Washer
6	002954-45	Shank Lock Nut
7	006895-20	Short EI, 1/2 NPT-F x 1/2 NPT-F
8	B-0509	Double Pedal Valve Body



015425-45
 Vandal Resistant Key

Product Specifications:
 Wall-Mounted Double Pedal Valve w/ Dummy Rigid Gooseneck and
 1.5 GPM Vandal Resistant Laminar Flow Device

Product Compliance:
 ASME A112.18.1 / CSA B125.1
 NSF 61 - Section 9
 NSF 372 (Low Lead Content)