

|              |     |          |  |       |
|--------------|-----|----------|--|-------|
| PROJECT NAME |     | LOCATION |  | AIA # |
| ITEM #       | QTY | MODEL #  |  | SIS # |

# SPEC SERIES®

PASS-THRU SOLID HALF FRONT/GLASS HALF REAR SWING DOORS REFRIGERATOR WITH HYDROCARBON REFRIGERANT

|        |                    |                    |                    |
|--------|--------------------|--------------------|--------------------|
| models | STR1RPT-2HS-2HG-HC | STA1RPT-2HS-2HG-HC | STG1RPT-2HS-2HG-HC |
|--------|--------------------|--------------------|--------------------|



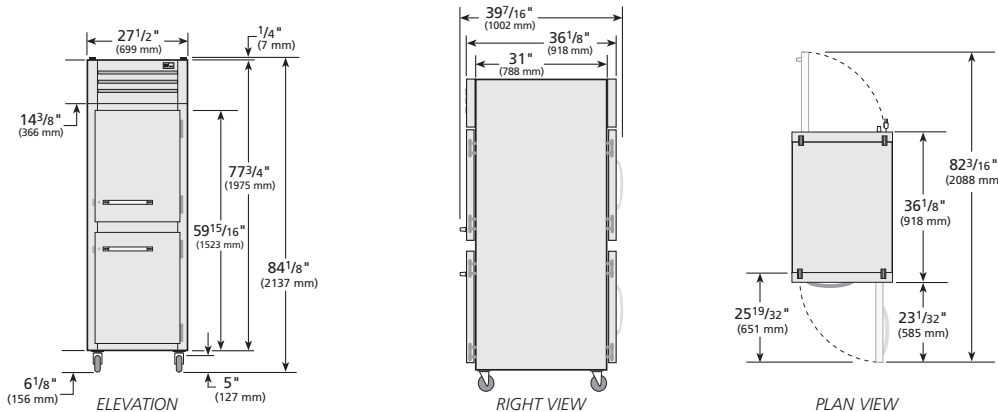
| STR1RPT-2HS-2HG-HC |   |
|--------------------|---|
| <b>Exterior</b>    | Stainless steel door, front & sides.                            |
| <b>Interior</b>    | Stainless steel side walls, back, floor, door liner, & ceiling. |
| <b>Shelving</b>    | (1) Interior kit option included per full section.              |

| STA1RPT-2HS-2HG-HC |   |
|--------------------|---|
| <b>Exterior</b>    | Stainless steel door, front & sides.                            |
| <b>Interior</b>    | Aluminum side walls & back.<br>Stainless steel floor & ceiling. |
| <b>Shelving</b>    | (3) Heavy duty, chrome plated, wire shelves per section.        |

| STG1RPT-2HS-2HG-HC |   |
|--------------------|---|
| <b>Exterior</b>    | Stainless steel door, with matching aluminum sides.             |
| <b>Interior</b>    | Aluminum side walls & back.<br>Stainless steel floor & ceiling. |
| <b>Shelving</b>    | (3) Heavy duty, PVC coated, wire shelves per section.           |

| SPECIFICATIONS   |          |               |
|--|----------|---------------|
| Dimensions   | in.      | mm.           |
| Length   | 27½      | 699           |
| Depth  | 36⅞      | 918           |
| Height   | 77¾      | 1975          |
| Electrical   | U.S.     | International |
| Horsepower   | ¼        | N/A           |
| Amps   | 3.8      | N/A           |
| Voltage  | 115/60/1 |               |
| NEMA   | 5-15P    |               |
| Cord Length  | 9 ft.    | 2.74 M.       |
| 115/60/1 NEMA-5-15R<br>* Height does not include 6⅞" (156 mm) for castors or 6" (153 mm) for optional legs. Height does not include ¼" (7mm) for system mechanical components.<br>† Depth does not include 1½ for front & back door handles. |          |               |

## plan view



Specifications subject to change without notice.  
 Chart dimensions are rounded up to the nearest ⅛" (millimeters rounded up to the next whole number).



|              |          |         |
|--------------|----------|---------|
| PROJECT NAME | LOCATION | AIA #   |
| ITEM #       | QTY      | MODEL # |
|              |          | SIS #   |

# SPEC SERIES®

PASS-THRU SOLID HALF FRONT/GLASS HALF REAR SWING DOORS REFRIGERATOR WITH HYDROCARBON REFRIGERANT

|        |                    |                    |                    |
|--------|--------------------|--------------------|--------------------|
| models | STR1RPT-2HS-2HG-HC | STA1RPT-2HS-2HG-HC | STG1RPT-2HS-2HG-HC |
|--------|--------------------|--------------------|--------------------|



## standard features

### REFRIGERATION SYSTEM

- Factory engineered, self-contained, capillary tube system using environmentally friendly R290 hydrocarbon refrigerant that has zero (0) ozone depletion potential (ODP), & three (3) global warming potential (GWP).
- High capacity, factory balanced refrigeration system that maintains cabinet temperatures of 33°F to 38°F (.5°C to 3.3°C) for the best in food preservation.
- State of the art, electronically commutated evaporator and condenser fan motors. ECM motors operate at higher peak efficiencies and move a more consistent volume of air which produces less heat, reduces energy consumption and provides greater motor reliability.
- Top mounted refrigeration system with evaporator positioned out of food zone to maximize capacity.
- Electronic control.

### CABINET CONSTRUCTION

- Insulation - entire cabinet structure and solid door are foamed-in-place using a high density, polyurethane insulation that has zero ozone depletion potential (ODP) and zero global warming potential (GWP).
- 5" (127 mm) diameter plate castors - locks provided on front set.

### DOORS

- Lifetime guaranteed bolt style door lock standard.

- Lifetime guaranteed heavy duty all metal working door handles.
- Positive seal self-closing doors with 120° stay open feature. Lifetime guaranteed external cam lift door hinges, four (4) per door section.
- Magnetic door gaskets of one piece construction, removable without tools for ease of cleaning.

### LIGHTING

- LED interior lighting, safety shielded.

### MODEL FEATURES

- Exterior digital temperature display, available with either °F or °C .
- Evaporator epoxy coated to eliminate the potential of corrosion
- Curb mounting ready.
- NSF/ANSI Standard 7 compliant for open food product.

### ELECTRICAL

- Unit completely pre-wired at factory and ready for final connection to a 115/60/1 phase, 15 amp dedicated outlet. Cord and plug set included.

### OPTIONAL FEATURES/ ACCESSORIES

*(upcharge & lead times may apply)*

- 6" (153 mm) standard legs.
- 6" (153 mm) seismic/flanged legs.
- 6" (153 mm) stainless steel legs.
- Additional shelves.
- Security package.

### SHELVING KIT OPTIONS

- STR series kits factory installed at no charge. STA & STG series kits field installed, upcharge applies, lead times may apply.
- Kit #1: Nine (9) sets of #1 type tray slides and pilasters (field installed), bottom support of one (1) 18"L x 26"D (458 mm x 661 mm) pan or two (2) 14"L x 18"D (356 mm x 458 mm) pans.
- Kit #2: One (1) set half-section #2 steel rod tray slides and pilasters (field installed), rim support of one (1) 18"L x 26"D (458 mm x 661 mm) pan.
- Kit #3: Six (6) sets of universal type tray slides and pilasters (field installed), bottom support of one (1) 18"L x 26"D (458 mm x 661 mm) pan, two (2) 14"L x 18"D (356 mm x 458 mm) pans or two (2) 12"L x 20"D (305 mm x 508 mm) pans.
- Kit #4: Three (3) chrome shelves 26-5/16"L x 21-9/16"D (669 mm x 548 mm). Optional wall mounted shelf support pilasters (field installed) with four (4) shelf clips per shelf available; adjustable on 1/2" (13 mm) increments (must order at time of cabinet order).
- Additional kit option components available individually.

**3 YEAR** PARTS + LABOR  
**7 YEAR** COMPRESSOR  
**WARRANTY**  
 (U.S.A. and Canada only)

METRIC DIMENSIONS ROUNDED UP TO THE NEAREST WHOLE MILLIMETER

SPECIFICATIONS SUBJECT TO CHANGE WITHOUT NOTICE



| Model                | Elevation | Right | Plan | 3D | Back |
|----------------------|-----------|-------|------|----|------|
| ST( )1RPT-2HS-2HS-HC |           |       |      |    |      |