

"M" POLY TOP WORK TABLES

3/4" Thick High Density Polyethylene Top, Galvanized Base & Bracing

FEATURES:

- 3/4" Thick High Density Polyethylene Top Sectioned Per NSF Regulations. (Also Available w/1/2" Or 1" Thick High Density Polyethylene & 1-1/2" Thick Hard Rock Maple Top, Style "SCT" Flat Top)
- 1 Piece High Density Polyethylene Top Available At No Extra Charge, Must Specify
- Top Is Held In Place By Welded Clips, Removable For Ease In Cleaning
- Galvanized Steel Base & Bracing
- Adjustable Bullet Feet
- Shipped Standard Welded Set-Up, Available Knockdown, (Must Specify)
- Approved By The NSF & U.S. Dept. Of Agriculture

SPECIFICATIONS:

- Top: High Density Polyethylene
- Frame: 1-1/2" Square Tube 18GA Galvanized Steel
- Bracing: 1-1/4" Round O.D. 18GA Galvanized Steel
- Legs: 1-5/8" Round O.D. 16GA Galvanized Steel
- Feet: 1" Adjustable Galvanized Steel Bullet Feet
- Top: Galvanized Bases Are MIG Welded.



CERTIFICATIONS:



ACCESSORIES

DESCRIPTION

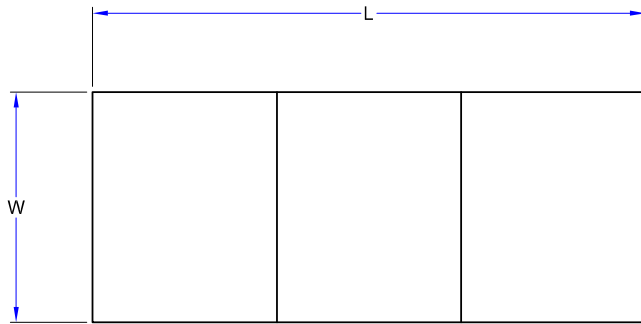
- Drawer
- Drawer Lock
- Casters
- Lower Shelves
- Meat Boat Racks
- Paper Holder
- Pot Rack
- Knocked Down Assembly

"M" POLY TOP WORK TABLES

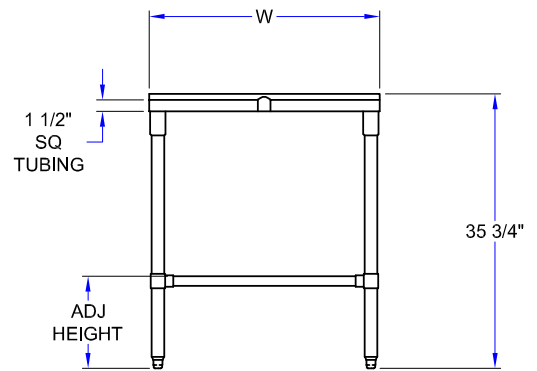
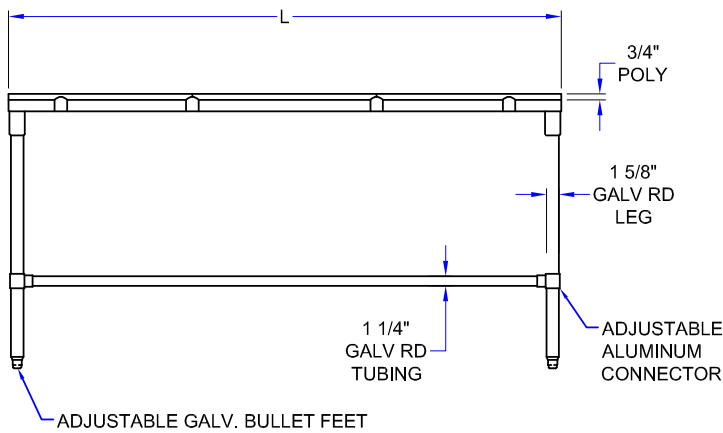
LENGTH	24" WIDE	WT (LBS)	30" WIDE	WT (LBS)	36" WIDE	WT (LBS)
36"	M001	55	M008	62	M015	69
48"	M002	64	M009	73	M016	83
60"	M003	78	M010	90	M017	102
72"	M004	91	M011	102	M018	118
84"	M005	111	M012	128	M019	145
96"	M006	121	M013	134	M020	158
108"	M006A	131	M013A	148	M020A	171
120"	M007	140	M014	162	M021	184

ALL DIMENSIONS ARE TYPICAL. TOLERANCE +/- .500". JOHN BOOS & CO. RESERVES THE RIGHT TO CHANGE SPECIFICATIONS WITHOUT NOTICE.

DETAILED SPECIFICATIONS



Units 7 Ft. & Larger Are
Furnished With Six Legs



"M" POLY TOP WORK TABLES

LENGTH	24" WIDE	WT (LBS)	30" WIDE	WT (LBS)	36" WIDE	WT (LBS)
36"	M001	55	M008	62	M015	69
48"	M002	64	M009	73	M016	83
60"	M003	78	M010	90	M017	102
72"	M004	91	M011	102	M018	118
84"	M005	111	M012	128	M019	145
96"	M006	121	M013	134	M020	158
108"	M006A	131	M013A	148	M020A	171
120"	M007	140	M014	162	M021	184

ALL DIMENSIONS ARE TYPICAL. TOLERANCE +/- .500". JOHN BOOS & CO. RESERVES THE RIGHT TO CHANGE SPECIFICATIONS WITHOUT NOTICE.