



EVERPURE® LVRO-75HE REVERSE OSMOSIS (RO) SYSTEMS

COMPLETE MINERAL REDUCTION WATER PROCESSING SYSTEM

LVRO-75HE+F RO System (w/faucet): EV9975-10
LVRO-75HE System (w/o Faucet): EV9975-00
GRO-75EN RO Membrane: 4002575
2FC5-S Filter Cartridge: EV9691-86
2CB5 Filter Cartridge: EV9617-05



APPLICATIONS

Coffee
Cheese melters
Water coolers

Low volume applications
[approx. 14.66 gpd [55.5 Lpd] nominal consumption] at a tested recovery rating of 40.17%

FEATURES • BENEFITS

System includes mineral reduction processor, carbon filter cartridge, post carbon filter cartridge, high efficiency GRO-75EN Reverse Osmosis Cartridge, air gap faucet and storage tank

Improves equipment life and performance by removing at least 95%+ of all dissolved solids that cause scale buildup

Especially useful on Water Coolers (Office Coffee Service - OCS installations), and other evaporative equipment that are not emptied each day

Less frequent deliming of equipment means reduced maintenance and service costs

Heating surfaces maintain peak heat transfer efficiency, reducing cycle times and energy consumption

NSF/ANSI Standard 58 certified to reduce cysts such as *Cryptosporidium* and *Giardia* by mechanical means

Protects against taste- and odor-causing contaminants while removing dirt, particulates and dissolved minerals

Two-part design makes installation flexible and small footprint easily fits in any office kitchen

Sanitary cartridge replacement is simple, quick and clean; internal filter parts are never exposed to handling or contamination

INSTALLATION TIPS

Choose a mounting location suitable to support the full weight of the system when operating.

The tank assembly may be placed above, below or alongside (preferred) of the water processor assembly.

Install vertically with cartridges hanging down.

Allow 2-1/2" (6.35 cm) clearance below the cartridge for easy cartridge replacement.

The water inlet must supply a minimum of 40-125 psi (2.7-8.6 bar), non-shock.

Delime equipment prior to application.

OPERATION TIPS

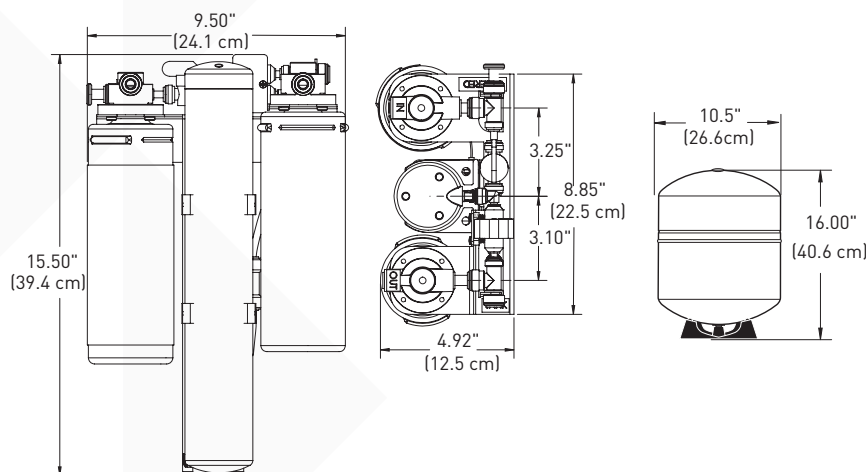
Replace the Everpure 2FC5-S and 2CB5 Carbon Cartridges every 12 months
Everpure GRO-75EN RO Membrane Cartridge every two (2) years, or as needed

SIZING

Service Flow Rate: 0.052 gpm (0.197 Lpm)

EVERPURE® LVRO-75HE REVERSE OSMOSIS (RO) SYSTEMS

EV9975-00 • EV9975-10



System Tested and Certified by NSF International against NSF/ANSI Standard 58 for the reduction of:
Total Dissolved Solids (TDS)

The contaminants or other substances removed or reduced by this drinking water system are not necessarily in your water. Do not use with water that is microbiologically unsafe or of unknown quality without adequate disinfection before or after the system. Systems certified for cyst reduction may be used with disinfected water that may contain filterable cysts.

WARRANTY

Everpure LVRO-75HE RO Systems by Pentair (excluding replaceable elements) are covered by a limited warranty against defects in material and workmanship for a period of one year after the date of purchase.

Everpure replaceable elements by Pentair (filter cartridges and water treatment cartridges) are covered by a limited warranty against defects in material and workmanship for a period of one year after date of purchase. See printed warranty for details. Pentair will provide a copy of the warranty upon request.

EPA Est. No. 082989-CHN-001

SPECIFICATIONS

Overall Dimensions

Processor: 15.50" H x 9.5" W x 4.92" D
(39.4 cm x 24.1 cm x 12.5 cm)

Tank: 16" H x 10.5" D x 10.5" D
(40.6 cm x 26.6 cm x 26.6 cm)

Inlet Connection

3/8" OD John Guest® fitting

Outlet Connection

3/8" OD John Guest fitting

Service Flow Rate

Maximum 0.052 gpm (0.197 Lpm)

Wastewater Line & Sample Port Connection

1/4" OD John Guest fitting

Water Supply

0.5 gpm (1.9 L) @50 - 85 psi (3.4 - 5.8 bar)

Pressure Requirements

40-125 psi (2.7-8.6 bar), non-shock

Inlet Temperature

32-120°F (0-48°C)

Inlet TDS

1,000 ppm maximum

Operating Weight

39.6 lbs (17.96 kgs)

Wastewater Production

14-20 gpd (53-75 Lpd) @ 60 psig
(414 kPa), 77°F (25°C)

Wastewater Drain Line Capacity

0.05 gpm (200 ml/m) to open atmosphere

Storage Tank Capacity

4.5 gallon tank; effective/usable capacity
3.2 gallons (12.11 L)

Outlet Water Production*

14.66 gpd (55.49 Lpd) @ 60 psig (420
kPa), 77°F (25°C)

*Actual water production depends on supply water pressure and temperature.



WATER QUALITY SYSTEMS

EVERPURE-SHURFLO WORLD HEADQUARTERS, 1040 MUIRFIELD DRIVE, HANOVER PARK, IL 60133 USA • FOODSERVICE.PENTAIR.COM
800.942.1153 (US ONLY) • 630.307.3000 MAIN • 630.307.3030 FAX • CSEVERPURE@PENTAIR.COM EMAIL

EVERPURE-SHURFLO AUSTRALIA, 1-21 MONASH DRIVE, DANDENONG SOUTH, VIC 3175 AUSTRALIA
011.1300 576 190 TEL • 011.61.39.562.7237 FAX • AU.EVERPURE@PENTAIR.COM EMAIL

EVERPURE-SHURFLO CHINA, 21F CLOUD 9 PLAZA, NO 1118, SHANGHAI, 200052, CHINA
86.21.3211.4588 TEL • 86.21.3211.4580 FAX • CHINA.WATER@PENTAIR.COM EMAIL

EVERPURE-SHURFLO INDIA, GREEN BOULEVARD, B-9/A, 7TH FLOOR - TOWER B SECTOR 62, NOIDA - 201301
91.120.419.9444 TEL • 91.120.419.9400 FAX • INDIACUSTOMER@PENTAIR.COM EMAIL

EVERPURE-SHURFLO EUROPE, PENTAIR WATER BELGIUM BVBA, INDUSTRIEPARK WOLFSTEE, TOEKOMSTLAAN 30, B-2200 HERENTALS, BELGIUM
+32.(0).14.283.504 TEL • +32.(0).14.283.505 FAX • SALES@EVERPURE-EUROPE.COM EMAIL

EVERPURE-SHURFLO JAPAN INC., HASHIMOTO MN BLDG. 7F, 3-25-1 HASHIMOTO, MIDORI-KU, SAGAMIHARA-SHI KANAGAWA 252-0143, JAPAN
81.(0)42.775.3011 TEL • 81.(0)42.775.3015 FAX • INFO@EVERPURE.CO.JP EMAIL

EVERPURE-SHURFLO SOUTHEAST ASIA, 390 HAVELOCK ROAD, #04-01 KING'S CENTRE, SINGAPORE 169662
65.6768.5800 TEL • 65.6737.5149 FAX • CSEVERPURE@PENTAIR.COM EMAIL

All Pentair trademarks and logos are owned by Pentair, Inc. or its affiliates. All other registered and unregistered trademarks and logos are the property of their respective owners. Because we are continuously improving our products and services, Pentair reserves the right to change specifications without prior notice. Pentair is an equal opportunity employer.