

## ROOM SERVICE TRAY DELIVERY CART - ENCLOSED

Accommodates 14" x 18", 13" X 21" and 15" x 20" Trays  
and Dinex Room Service Tray DX1089RS03

### Item Numbers

- DXICT6S
- DXICT7S
- DXICT8S
- DXICT10S



Shown with options

### Application

The Room Service Cart is designed for transporting trays in units desiring to provide "Room Service" or "Late tray" style meals. The all stainless steel cart features fixed tray slides with 5-1/4" spacing. This cart will accommodate 1-tray per slide of the following 14" x 18", 13" x 21" and 15" x 20" trays as well as the Architectural Plastics room service tray and Dinex Room Service Tray DX1089RS03.

### Construction

Dinex Room Service carts are fabricated with 1" square tubing frame with welded 18-gauge pre-formed side panels/tray slides. The top, bottom and single panel door shall be 18-gauge, stainless steel. The door comes standard with a recessed door pull and features magnets and a transport latch to keep the door closed. The door has a 270 degree door swing with magnets to keep the door in an opened position

### Casters

Dinex exclusive silent soft tread 4 - 5" diameter swivel with brakes

### Standard Features

- All stainless steel
- Pull type door handle
- Transport latch and magnets
- Small footprint
- Accommodates 14" x 18", 13" x 21" and 15" x 20" Architectural room service tray and Dinex Room Service Tray DX1089RS03
- Dinex exclusive silent casters

### Options

- Corner Bumpers
- Wrap around bumper
- Push Handle

### Warranty

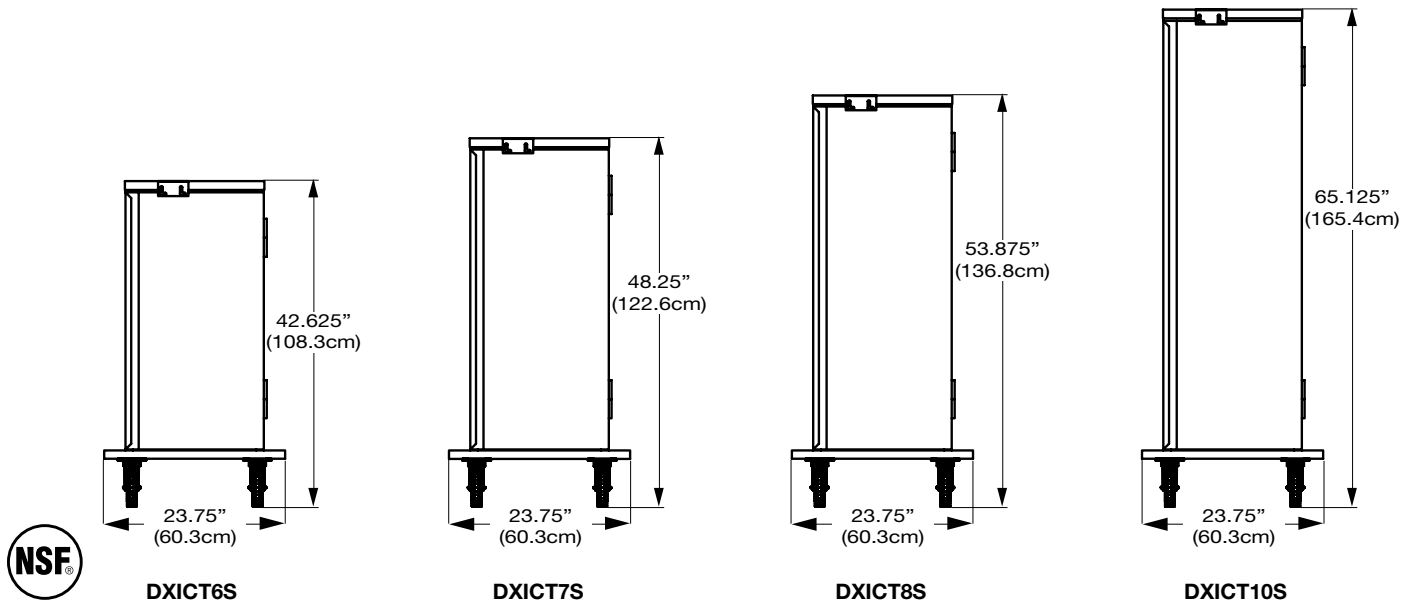
One year parts and labor.

# DINEX®

Building 2, Suite 106  
628 Hebron Avenue  
Glastonbury, CT 06033  
800.523.9752 Fax: 860.652.3135  
www.dinex.com

# ROOM SERVICE TRAY DELIVERY CART - ENCLOSED

Accommodates 14" x 18", 13" X 21" and 15" x 20" Trays  
and Dinetex Room Service Tray DX1089RS03



## Items and Dimensions

ITEM NUMBER	MODEL NUMBER	LENGTH	DEPTH	HEIGHT	SHIP WEIGHT
DXICT6S	ICT/6S	23.75" (60.3cm)	24.50" (62.2cm)	42.625" (108.3cm)	150 lb. (68.0kg)
DXICT7S	ICT/7S	23.75" (60.3cm)	24.50" (62.2cm)	48.250" (122.6cm)	185 lb. (83.9kg)
DXICT8S	ICT/8S	23.75" (60.3cm)	24.50" (62.2cm)	53.875" (136.8cm)	200 lb. (90.7kg)
DXICT10S	ICT/10S	23.75" (60.3cm)	24.50" (62.2cm)	65.125" (165.4cm)	215 lb. (97.5kg)



Please confirm that you have the most current specification sheet by visiting [www.dinex.com](http://www.dinex.com).  
Dinex® reserves the right to change specifications and product design without notice.  
Such revisions do not entitle the buyer to corresponding changes, improvements, additions or replacements for previously purchased equipment.

# DINEX®

Building 2, Suite 106  
628 Hebron Avenue  
Glastonbury, CT 06033  
800.523.9752 Fax: 860.652.3135  
[www.dinex.com](http://www.dinex.com)