

## INSULATED PASS-THRU STAINLESS STEEL HOT CABINET MODEL H-138-NPS-CC3MQ

### FEATURES AND BENEFITS:

- Fully insulated hot cabinet keeps prepared foods at serving temperatures. Ideal for pizza.
- Pass-thru design allows for access from preparation and serving areas.
- Powerful, yet efficient, 2000 Watt heating system maintains the right temperature to properly hold products. Heats up to 200°F (93°C).
- Control panel has easy-to-read thermometer.
- Internal frame in body maintains structural rigidity.
- Stainless steel construction throughout for ease of cleaning. One piece extended base protects cabinet body.
- Smooth interior coved corners prevent food particles/grease buildup.
- Insulated Dutch doors on front have pull handle and self-closing hinges. Top door has tempered glass window.
- Full rear door has high temperature magnetic latch for "easy open"; twist-lock catch secures door during transport. Door has full length tempered glass window. Safety-conscious anti-microbial latch protects against spreading germs.
- Standard with right hand hinging; left hand hinging available upon request. Field reversible for flexibility.
- Recessed push/pull handles on both sides prevents damage to walls; allows easy maneuvering.
- Twelve sets of chrome plated wire universal angles hold (24) 14-1/8" pizza boxes on 4-1/2" centers; adjustable on 1-1/2" centers. Twelve wire shelves provided.
- Heavy duty 5" swivel casters, two with brakes. Provides mobility when fully loaded.



H138NPSCC3MQ

SANITATION  
NSF/ANSI 4

C US

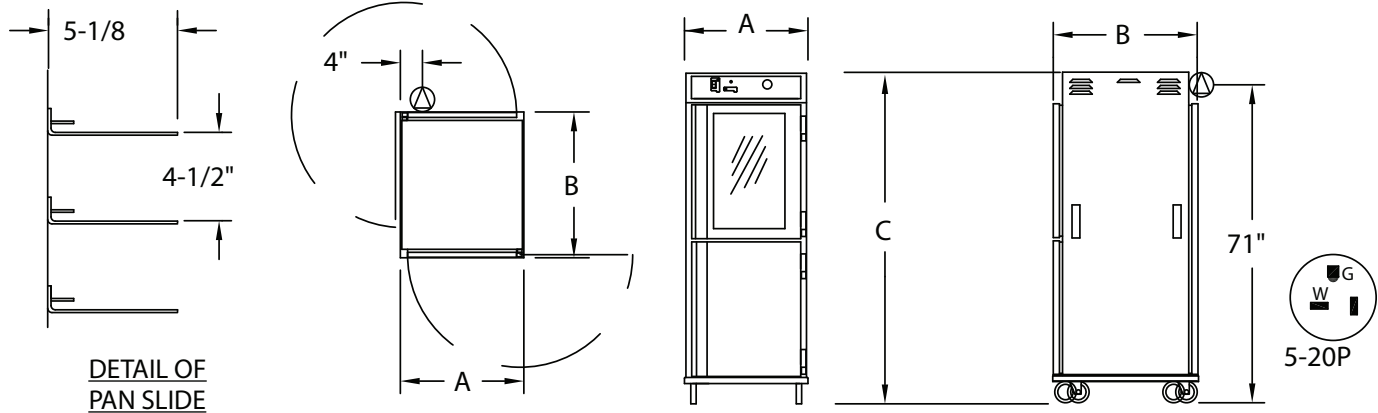
### ACCESSORIES and OPTIONS (Available at extra cost):

- Extra Wire Shelves
- Lock Hasp
- Extra Wire Angles
- Corner Bumpers
- Perimeter Bumper
- Floor Lock (for use with 5" casters)
- Various Caster Options
- 208 or 240 Volt Service

See page B-20 for accessory details.



# H138NPSCC3MQ



CRES COR MODEL NO.	PAN			DIM "A"	DIM "B"	DIM "C"	INSIDE DIMENSIONS				WEIGHT ACT.
	CAP	SIZE		WIDTH	DEPTH	HEIGHT	WIDTH	DEPTH	HEIGHT		
H138NPSCC3MQ	24	14-1/8" Pizza Box	IN	25	33	73-1/2	19-7/8	28-1/4	58	LBS	302
			MM	635	838	1867	505	718	1475	KG	137

When ordering bumpers, add 2" to overall dimensions.



Gold indicates our Best Insulated Hot Cabinets with the best warranty in the industry.  
3-Year Parts / 1-Year Labor.

### CABINET:

- Body: Heavy duty stainless steel, 22 ga.
- Reinforcement: Heavy-duty internal framework of 18ga. stainless steel
- Insulation: Fiberglass, R-value = 6.82 at 75°F, 1-1/2" in door, 2" in sidewalls.
- Interior coved corners.
- Air tunnels: Stainless steel, 22 ga.; lift out type, mounted on sides.
- Pull handles (4): 5" vertical; recessed.
- Cord keeper on body side.

### BASE:

- One-piece construction, .125 aluminum.
- Casters: 5" Dia. swivel, modulus donut tires, 1¼ wide, load cap. 250 lbs. each, temp. range – 45° to + 180°F. Delrin bearings. Front casters equipped with brakes.

### DOORS: DUTCH ON FRONT, SINGLE ON BACK

- Field reversible: Formed 22 ga. stainless steel.
- Door gaskets: Perimeter type, Santoprene with magnetic gasket.
- Rear Single Door has latch, 11ga. stainless steel hinges with 270° door swing and tempered glass window.
- Front Dutch Doors have full length pull handle and self-closing hinges. Top door has a tempered glass window.

### RACK INSERT:

- Wire angles: (.306 dia.) nickel chrome plated steel; mounted on lift-off posts.
- Spaced on 4-1/2" centers; adjustable on 1-1/2" centers.
- Holds (24) 14-1/8" square pizza boxes.
- Wire shelves (12): Nickel chrome plated steel, 18" x 26".

### POWER UNIT:

- Top mounted; removable with tools.
- Heater: 1850 Watts.
- Blowers (2) with intake guard.
- Thermostat: Electronic temperature control with digital temperature display. Display accurate to ±2°F.
- Power cord: permanent 10 ft., right angle plug.
- Switch: On/Off rocker type
- Internal vent fans.
- High limits.

### POWER REQUIREMENTS:

- 2000 Watts, 120 Volts, 60 Hz., single phase. 16 Amp. 20 Amp service.

## SHORT FORM SPECIFICATIONS

Cres Cor Insulated Pass-Thru Hot Stainless Steel Pizza Cabinet Model H138NPSCC3MQ. Cabinet 22 ga. stainless steel; stainless steel internal frame. Dutch doors front; single door on back, 22 ga. stainless steel. Fiberglass insulation in sides 2"; doors, top, base 1-1/2". Interior coved corners. 2000 Watt, 120 Volt power unit. (12) sets of wire angles on 4-1/2" centers; adjustable on 1-1/2" centers. One piece insulated base, .125 aluminum. 5" swivel modulus casters, Delrin bearings. Load capacity 250 lbs. each. 3-Year Parts / 1-Year Labor warranty. Provide the following accessories: \_\_\_\_\_ NSF, CSA-US, CSA-C listed.



Scan QR code to view Spec Sheet, Operating Manual, Wiring Diagram or to call Customer Service.

If you need a QR reader visit your App Store on your Smartphone or Tablet.



5925 Heisley Road • Mentor, OH 44060-1833  
Phone: 877/CRESCOR • Fax: 440/350-7267  
www.crescor.com

© Crescent Metal Products, Inc. 2016 All rights reserved.

*In line with its policy to continually improve its products, CRES COR reserves the right to change materials and specifications without notice.*

Litho in U.S.A.