



# T&S BRASS AND BRONZE WORKS, INC.

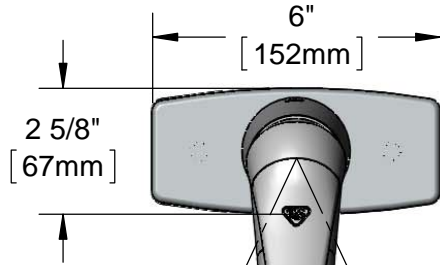
2 Saddleback Cove / P.O. Box 1088  
Travelers Rest, SC 29690

Model No.

**B-2703-VF22**

Item No.

Travelers Rest, SC: 800-476-4103 • Simi Valley, CA: 800-423-0150 • Fax: 864-834-3518 • www.tsbrass.com



**ADA Compliant**

This Space for Architect/Engineer Approval

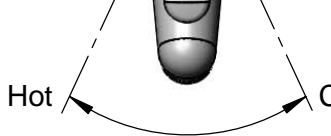
Job Name \_\_\_\_\_ Date \_\_\_\_\_

Model Specified \_\_\_\_\_ Quantity \_\_\_\_\_

Customer/Wholesaler \_\_\_\_\_

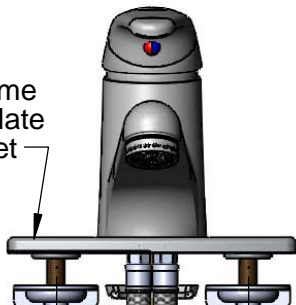
Contractor \_\_\_\_\_

Architect/Engineer \_\_\_\_\_



2 1/2" [63mm] B-0199-09  
2.2 GPM  
"OFF" VR Aerator

Polished Chrome  
Plated Deck Plate  
w/ Deck Gasket



Mounting  
Surface

4" [102mm]

1 1/16" [17mm]  
Maximum  
Thickness

4 5/8" [118mm]

1 1/2" [37mm]  
Full  
"ON"

Brass Locking  
Post w/ Clamp  
& Nut

4 5/8" [118mm]

(2) 16" [406mm] Flexible  
Stainless Steel Braided  
Supply Hoses w/  
3/8" Compression Nuts

Rough-in Requirement:  
Ø 1 1/2" [38mm] Center Mounting Hole  
(2) Ø 1 1/8" [29mm] Side Holes

**Product Specifications:**

Single Hole Single Lever Deck Mount Faucet, Ceramic Cartridge, Temperature Limit Stop, 2.2 GPM VR Aerator, 4" Forged Deck Plate & (2) 16" Flexible Stainless Steel Braided Supply Hoses

**Product Compliance:**

ASME A112.18.1 / CSA B125.1  
NSF 61 - Section 9  
NSF 372 (Low Lead Content)  
ANSI A117.1 (ADA)



# T&S BRASS AND BRONZE WORKS, INC.

2 Saddleback Cove / P.O. Box 1088  
Travelers Rest, SC 29690

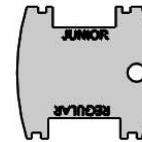
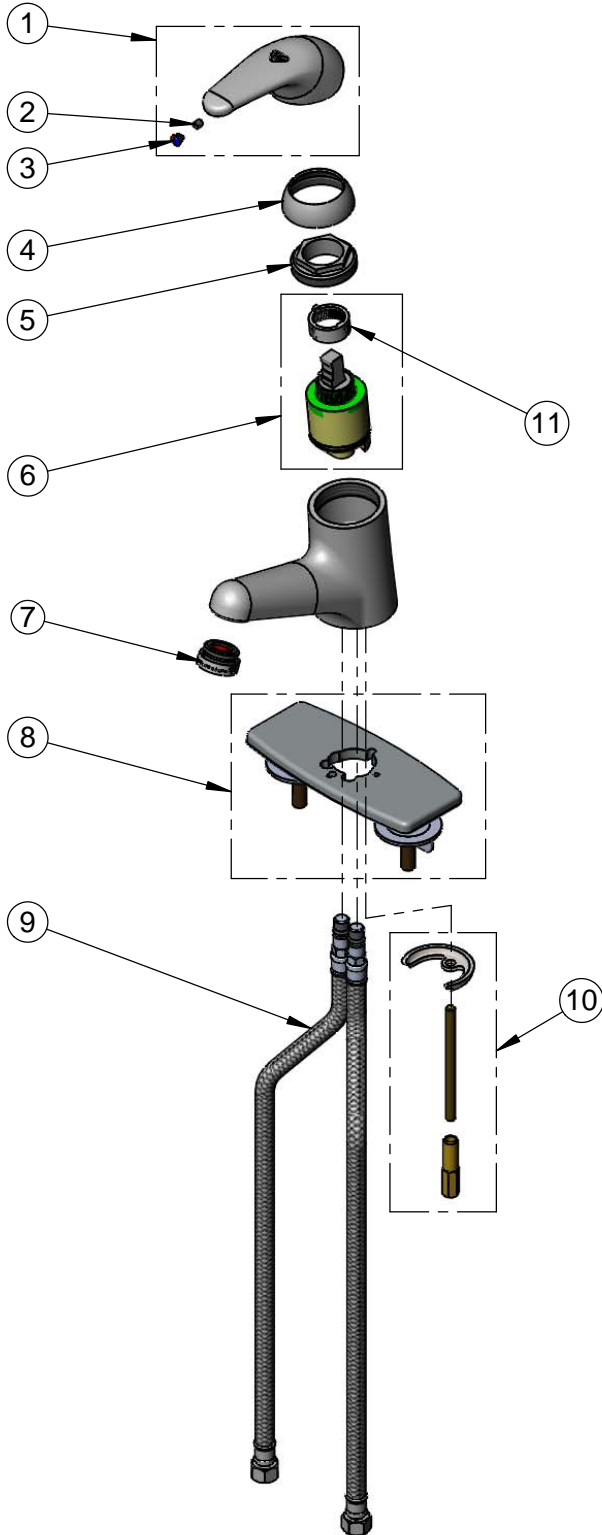
Model No.

**B-2703-VF22**

Item No.

Travelers Rest, SC: 800-476-4103 • Simi Valley, CA: 800-423-0150 • Fax: 864-834-3518 • www.tsbrass.com

ITEM NO.	SALES NO.	DESCRIPTION
1	013113-45	Single Lever Handle
2	016675-45	Set Screw
3	014173-45	Temperature Index
4	016661-45	Trim Ring
5	016663-45	Locking Nut
6	013111-45	Ceramic Cartridge w/ Temperature Limit Stop
7	B-0199-09	VR 2.2 GPM Aerator, 15/16-27 Male w/ Key
8	013433-40	4" Universal Deck Plate, Gasket & Mounting Hardware
9	016879-45	(2) 16" Flexible Stainless Steel Braided Supply Hoses w/ 3/8" Compression Nuts
10	019116-45	Mounting Hardware Kit
11	015400-45	Temperature Limit Stop



015425-45  
Vandal Resistant Key

**Product Specifications:**

Single Hole Single Lever Deck Mount Faucet, Ceramic Cartridge, Temperature Limit Stop, 2.2 GPM VR Aerator, 4" Forged Deck Plate & (2) 16" Flexible Stainless Steel Braided Supply Hoses

**Product Compliance:**

ASME A112.18.1 / CSA B125.1  
NSF 61 - Section 9  
NSF 372 (Low Lead Content)  
ANSI A117.1 (ADA)