



The Signature of Quality

FEDERAL INDUSTRIES

A Standex Company

215 Federal Avenue Belleville
Wisconsin 53508-9201

Phone: 800-356-4206

Fax: 608-424-3234

Email: Geninfo@Federalind.com

Website: Federalind.com

Project Name: _____

AIA #

Item #: _____

Model #: _____ Qty: _____

SIS #

Approval: _____

Italian Glass 26" Non-Refrigerated Counter Display Case

Designed for customers looking for rich, up-scale Italian styling for maximum visual appeal that will drive product sales.



Model ITD4826 Shown
*Counter Not Provided

MODEL	DIMENSIONS <small>(Includes End Panels)</small>
<input type="checkbox"/> ITD3626	36 x 30 x 26 (in) 914 x 762 x 661 (mm)
<input type="checkbox"/> ITD4826	48 x 30 x 26 (in) 1219 x 762 x 661 (mm)
<input type="checkbox"/> ITD6026	60 x 30 x 26 (in) 1524 x 762 x 661 (mm)

STANDARD FEATURES

Model Features

- Tempered thermo-pane glass construction
- Tilt-out front glass for easy cleaning
- Removable sliding glass rear doors
- Stainless steel interior
- Cord & plug

Shelving

- Two tiers of adjustable tempered glass shelves are adjustable up and down and can be tilted in two positions (0°/ 5° angle).

Lighting

- 3500K LED top light and shelf lights
- DLC certified, IP66 rated

Agency Approvals

- UL and UL Sanitation Listed to NSF-2
- DOE 2017 Compliant.

OPTIONAL ACCESSORIES

- o o o
- k k)
- k -
- K M # O



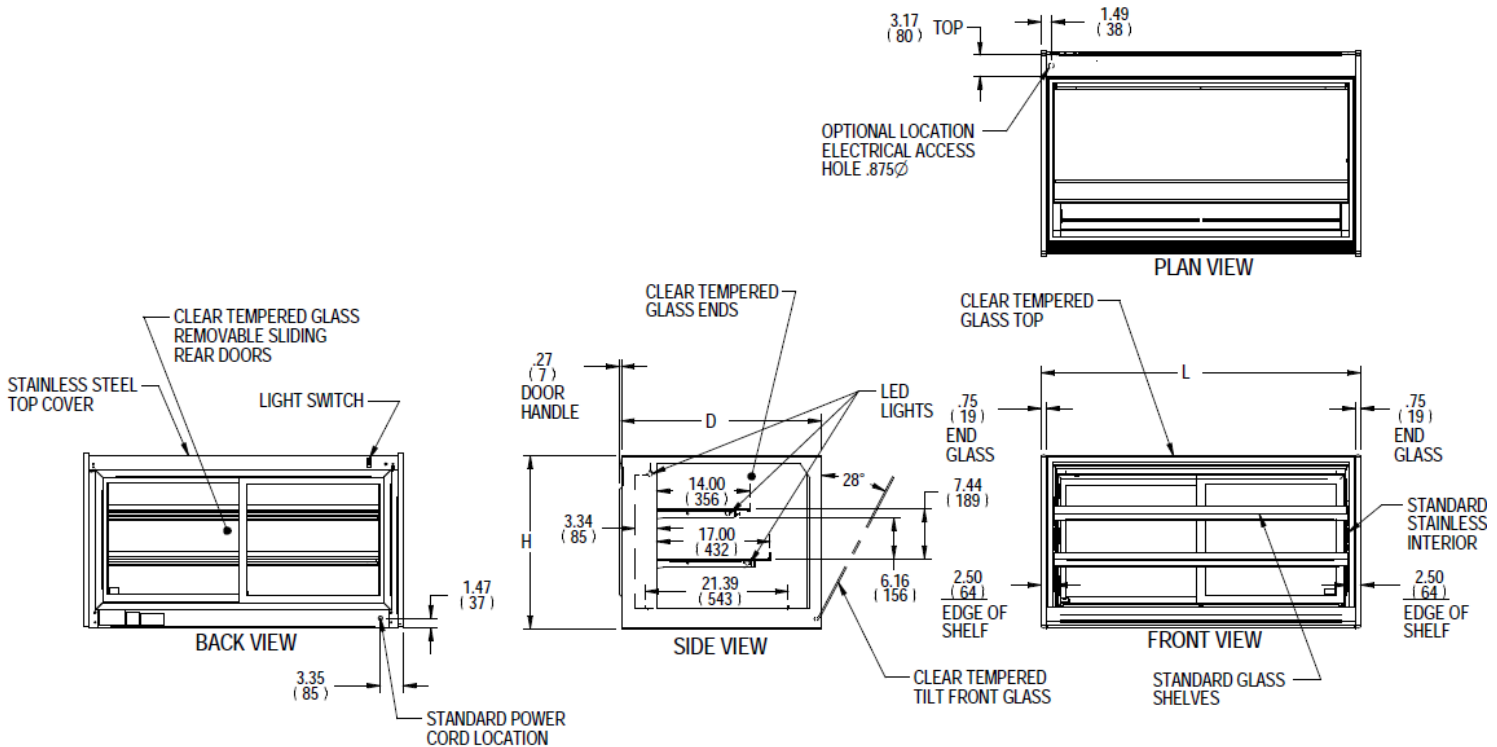
Note: Information is subject to change at any time. Visit www.federalind.com For the most current specs.

AIA #	Italian Glass 26" Non-Refrigerated Counter Display Case
SIS #	Product Specifications

Zone	Intended product to be displayed	Avg prod temp °F / °C
All	Non-refrigerated food products	N / A

DIMENSIONS: xx"/(mm)

SYMBOL KEY:
 ELECTRICAL JUNCTION BOX
 (SUPPLIED W/6" LEADS OR POWER CORD)



E3751-2 REV A

MODEL	DIMENSION			SHELVING			DISPLA Y AREA SQ IN	INTERIOR VOLUME CU FT	STANDARD CONNECT CORD & PLUG			SHIP WEIGHT	
	L	D	H	#	DT	DB			L	120/60/1 2-WIRE + GROUND			
	in	in	in	OF	in	in			in	AMPS	MAX FUSE SIZE		NEMA CORD & PLUG
	mm	mm	mm	TIER	mm	mm	mm				KILO		
ITD3626	36.00	30.00	26.00	2	14	17	30.88	1630 SQ IN	11.4 CU FT	1.5	15	NEMA 5-15P	350 LBS 159 KILO
	914	762	660		356	432	784						
ITD4826	48.00	30.00	26.00	2	14	17	42.88	2240 SQ IN	15.4 CU FT	1.5	15	NEMA 5-15P	410 LBS 186 KILO
	1219	762	660		356	432	1089						
ITD6026	60.00	30.00	26.00	2	14	17	54.88	2850 SQ IN	19.0 CU FT	1.5	15	NEMA 5-15P	550 LBS 249 KILO
	1524	762	660		356	432	1394						

• Due to continuing engineering improvements, specifications are subject to change without notice.



FEDERAL INDUSTRIES
 A Standex Company
 215 Federal Avenue Belleville, Wisconsin 53508-9201

Phone: 800-356-4206
Fax: 608-424-3234
Email: Geninfo@Federalind.com
Website: Federalind.com