

JOB NAME:

QUANTITY:

ITEM NO.:

PRODUCT NAME:

FAUCET, 4" DECK W/ SWING SPOUT

MODEL:

- 26174 WITH 6" SWING SPOUT
- 26182 WITH 8" SWING SPOUT
- 26190 WITH 10" SWING SPOUT
- 26204 WITH 12" SWING SPOUT

FEATURES:

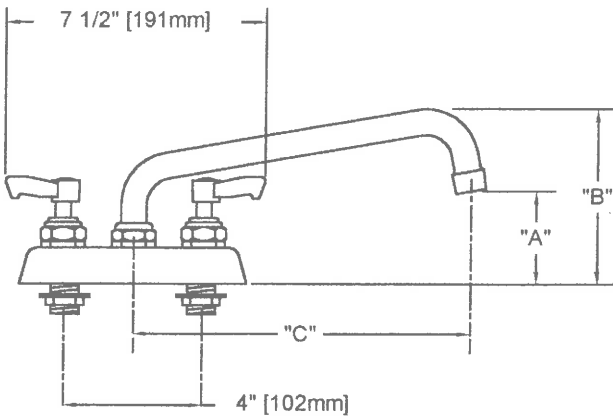
- * 4" DECK MOUNTED
- * 1 1/2" LONG SHANKS WITH LOCK NUTS AND 1/2" NPT THREADS

SYSTEM LIMITS

TEMP: 40 F MIN TO 140 F MAX
 PRESSURE 200 PSI MAX STATIC
 2.20 GPM @60 PSI

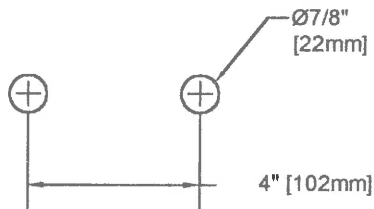
SHIPPING WEIGHT

*5 LBS



MODEL	DIM "A"	DIM "B"	DIM "C"
26174	1 15/16" [49mm]	4 1/4" [108mm]	6" [152mm]
26182	2 9/16" [65mm]	4 7/8" [124mm]	8" [203mm]
26190	2 11/16" [68mm]	5 1/16" [129mm]	10" [254mm]
26204	2 11/16" [68mm]	5 1/16" [129mm]	12" [305mm]
26212	3 9/16" [90mm]	5 7/8" [149mm]	14" [356mm]

ROUGH IN:



ANSI/A112.18.1M

Division of Fisher Manufacturing Company
 P.O. Box 60 Tulare, CA 93725-0060 1900 "O" Street Tulare, CA 93274-6850
 Phone 1-800-421-6162 FAX 800-8-FAUCET (800-832-8238) information@sierrafaucets.com www.sierrafaucets.com