



SF Bins

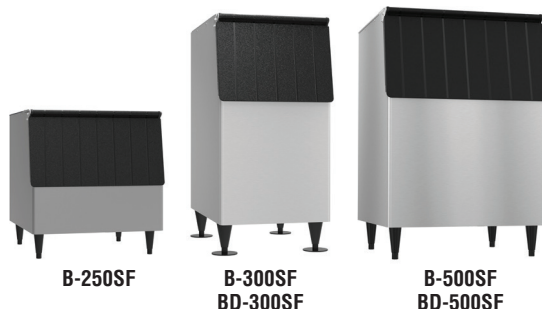
ICE STORAGE BIN SERIES



SF Bins
11/06/24
Item # 13163

Item #: _____
 Project: _____
 Qty: _____
 AIA#: _____

SF - Stainless Steel Finish



Features

- ▶ Polyethylene bin liner for sanitary storage
- ▶ Sturdy construction for side-by-side or stacked ice machine installation

- Ice storage capacity from 250 lbs. up to 900 lbs.
- Both surfaces are designed for easy cleaning
- Long lasting attractive appearance
- Foamed-in-place polyurethane insulation, in all bin walls and bottom, provides dependable ice storage

SF - Stainless Steel Finish

BD Bins

- Fit 24" - 24 1/2" deep ice machine without top kit extension

Warranty:

2 Year Parts & Labor (Production prior to January 2012)
 3 Year Parts & Labor (Production January 2012 and after)
 Valid in United States, Canada, Puerto Rico and U.S. Territories. Contact factory for warranty in other countries.



| Model Number | Exterior Dimensions W x D x H* | Interior Dimensions W x D x H | Application Storage Capacity † | Cubic Volume | Shipping Dimensions L x W x H | Shipping Weight (lbs.) |
|--------------|-----------------------------------|----------------------------------|-----------------------------------|-----------------------|----------------------------------|------------------------|
| B-250SF | 30" x 32.3" x 33.4" | 27" x 27.7" x 23.7" | 250 lbs. | 10.30 ft ³ | 35" x 32" x 32" | — |
| B-300SF | 22" x 32.3" x 46" | 19" x 27.7" x 37.6" | 300 lbs. | 11.51 ft ³ | 35" x 24" x 45" | 125 |
| BD-300SF | 22" x 32.3" x 46" | 19" x 27.7" x 37.6" | 300 lbs. | 11.51 ft ³ | 35" x 24" x 45" | 130 |
| B-500SF | 30" x 32.3" x 46" | 27" x 27.7" x 37.6" | 500 lbs. | 16.33 ft ³ | 35" x 32" x 45" | 140 |
| BD-500SF | 30" x 32.3" x 46" | 27" x 27.7" x 37.6" | 500 lbs. | 16.33 ft ³ | 35" x 32" x 45" | 140 |
| B-700SF | 44" x 32.3" x 46" | 41" x 27.7" x 37.6" | 700 lbs. | 24.77 ft ³ | 46" x 35" x 45" | 175 |
| B-800SF | 48" x 32.3" x 46" | 45" x 27.7" x 37.6" | 800 lbs. | 26.90 ft ³ | 50.25" x 35" x 45" | 185 |
| B-900SF | 52" x 32.3" x 46" | 49" x 27.7" x 37.6" | 900 lbs. | 29.59 ft ³ | 54.5" x 35" x 45" | 195 |

*Height includes 6" legs

† Capacity based on volume x 30 lb/ft³ average density of ice.

Hoshizaki reserves the right to change specifications without notice.



SF Bins

ICE STORAGE BIN SERIES



SF Bins
11/06/24
Item # 13163

Ice Machine Model Application

| | 22" Width | 22" Width | 30" Width | 30" Width | 44" Width | 44" Width | 48" Width |
|-----------------------------------|--|--|--|---|---|--|--|
| | KM-350M KM-520M KM-660M F-450M F-801M F-1002M | KMD-410M† KMS-822M FD-650M-C† FD-1002M-C | KM-901M KM-1340M KM-1601M KML Series KMD-355/505M KMD-705M F-1501M F-2001 | KMD-460M‡ KMD-530M‡ KMD-860M‡ KMS-1402M* KMS-2000M* | 2 KM-350M 2 KM-520M 2 KM-660M IM-500S 2 F-450M 2 F-801M 2 F-1002M | 2 KMD-410M 2 FD-650M-C 2 FD-1002M-C | KM-1301S KM-1400S KM-1601S KM-1900S KM-2200S KM-2600S |
| Bins B-300SF DB-130H | — | NEED HS-2153 HS-5424 <i>(KMD-410 on B-300 only)</i> | N/A | N/A | N/A | N/A | N/A |
| Bins B-250SF B-500SF | NEED HS-2033 | NEED HS-2033 & HS-2129 | — | NEED HS-2129 | N/A | N/A | N/A |
| Bins B-700SF | NEED HS-2035 | NEED HS-2035 & HS-2130 | NEED HS-2034 | NEED HS-2130 & HS-2034 | — | NEED HS-2130 <i>(KMD-410 does not apply)</i> | N/A |
| Bins B-800SF | NEED HS-2035 & HS-2032 | NEED HS-2035, HS-2032 & HS-2131 | NEED HS-2034 & HS-2032 | NEED HS-2131, HS-2034 & 2032 | NEED HS-2032 | NEED HS-2032 & HS-2131 | — |
| Bins B-900SF | NEED HS-2035 & HS-2033 | NEED HS-2035, HS-2033 & HS-2132 | NEED HS-2035 | NEED HS-2132 & HS-2035 | NEED HS-2033 | NEED HS-2033 & HS-2132 | NEED HS-2032 |
| Bins DB-200H DM-200B | NEED HS-2036 <i>(KM units only)</i> | N/A | — <i>(KML Series only)</i> NEED HS-2148 <i>(KMD Series on DB-200H only)</i> | N/A | N/A | N/A | N/A |

— No top kit necessary | N/A Combination of ice maker and bin is not possible

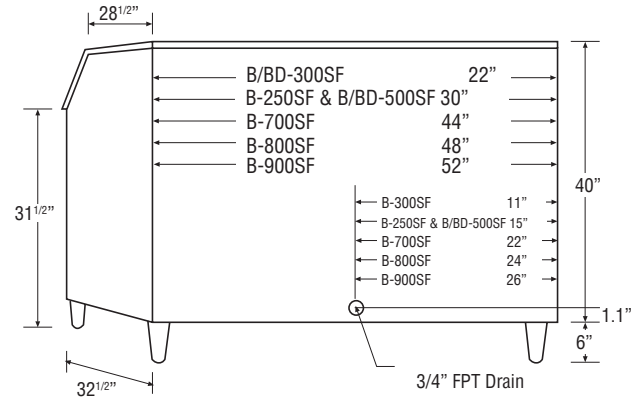
BD Bins fit 24" - 24 1/2" deep ice machine without Top Kit extension.

† **BD-300SF:** KMD-410M, KMS-822M, FD-650M-C, FD-1002M-C

‡ **BD-500SF:** KMD-460M, KMD-530M, KMD-860M, KMD-355, KMD-505M, KMD-705M

Top Kits:

- HS-2032 - 4" ABS Top Kit
- HS-2033 - 8" ABS Top Kit
- HS-2034 - 14" ABS Top Kit
- HS-2035 - 22" ABS Top Kit
- HS-2036 - (2) 4" ABS Top Kits
- HS-2066 - Seismic Kit for SD 500 Stands
- HS-2071 - Anchored Leg Kit SD 500 Stands
- HS-2111 - 11.3" x 26.2" Stainless Cover/Separator
- HS-2148 - 30" x 3.1" Stainless Cover
- HS-2153 - KMD-410 on B-300 bin
- HS-2160 - 2 KM-901M



Ice Drop Area



B Bins



BD Bins



Bin Flanged Legs:
B/BD-300SF



Bin Legs:
B-250SF, B/BD-500SF
B-700SF, B-800SF
B-900SF