



C-SWA-12



**Intertek**

4004503

Conforms to NSF/ANSI STD 2  
Certified to CSA STD B45.4

## Specifications

### Drain

- 1-1/2" I.P.S. threaded drain will fit Dearborn part #8033 slipnut and part #W-573P washer.

### Faucet

- Deck mount on 4" centers, accepts 3/8" sink leads, hot and cold water connection required
- Optional foot- or knee-operated faucet: single hole, (2) 1/2" NPT female inlets and (1) 1/2" NPT female outlet
- NSF/ANSI 61, 372 low lead compliant

### Sink Bowl Dimensions

- 9-1/4" by 11-1/2" by 6" deep

### Legs

- 1-5/8" diameter, 16 gauge stainless steel
- Stainless steel bullet feet

### Materials

- 20 gauge stainless steel

**⚠ WARNING:** The plastic wet waste strainer included with this product can expose you to chemicals including Bisphenol A (BPA), which is known to the State of California to cause birth defects or other reproductive harm. For more information, go to [www.P65Warnings.ca.gov](http://www.P65Warnings.ca.gov). **Part #03000483**  
**Warning applies to State of California only.**

Project: _____	AIA# _____
Item #: _____ Qty: _____	SIS# _____
Model #: _____	

## Wet Waste Sinks

**C-SW**

C-SWA-12, C-SWB-12

### Standard Features

- All stainless steel
- Complete welded construction to meet NSF<sup>®</sup> standards
- One-piece seamless top and backsplash featuring 1/4" radius corners
- Drawn sink bowl
- Heavy duty, hot and cold water faucet
- Lift-out perforated plastic wet waste strainer
- Adjustable stainless steel bullet feet

### Configurable Options

- Foot-operated faucet; specify option FOF-D
- Knee-operated faucet; specify option KOF-D (for C-SWB-12)
- Side splashes; specify option C-LSA-D (left) and/or C-RSA-D (right) for C-SWA-12, specify option C-LSB-D (left) and/or C-RSB-D (right) for C-SWB-12

### Accessories

C-SR-12	12" single speed rail
C-DR-12	12" double speed rail
C-DWR-S	Dry waste rail, aligns with single speed rail
C-DWR-D	Dry waste rail, aligns with double speed rail
03000511	Wrist handles, set of two
TR	Towel ring
DWC	Trash receptacle, stainless steel
03005491	Trash receptacle, 28½ qt., gray plastic



FOF-D  
Foot-operated  
faucet



KOF-D  
Knee-operated  
faucet

To view cleaning and care instructions, please visit:  
[https://www.glastender.com/PDF/F-423-011\\_ss\\_clean\\_care.pdf](https://www.glastender.com/PDF/F-423-011_ss_clean_care.pdf)

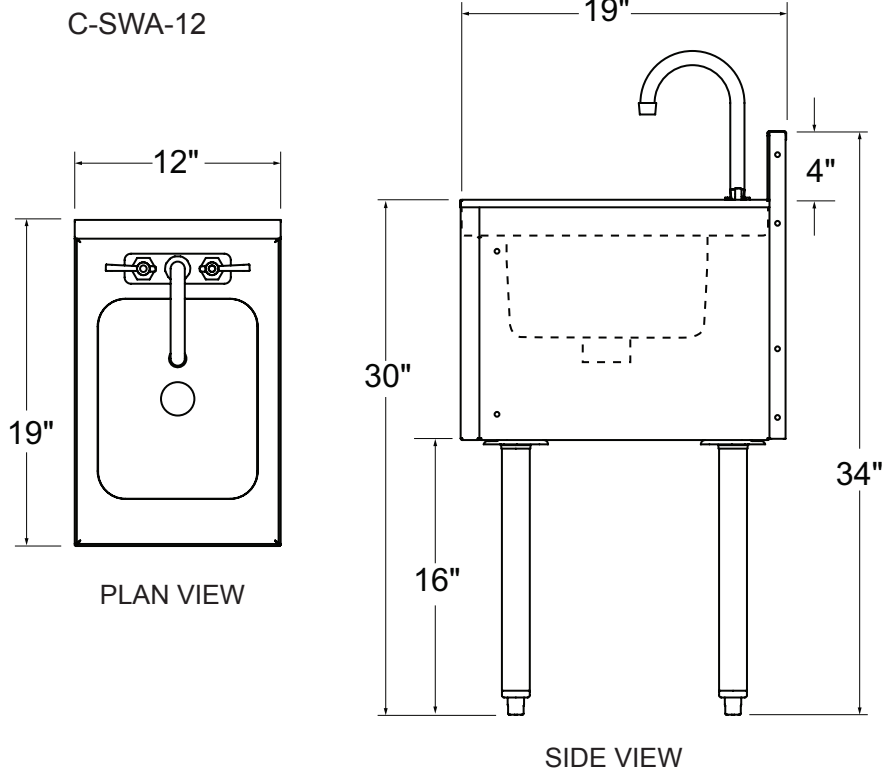
Glastender, Inc. • 5400 North Michigan Road • Saginaw, MI • 48604-9780  
989.752.4275 • 800.748.0423 • Fax 989.752.4444  
[www.glastender.com](http://www.glastender.com)

Approval/Notes:

Specifications subject to change without notice. For current specifications please visit our website.

# Choice Wet Waste Sinks

## Dimensional Information



C-SWA-12, & C-SWB-12

