



REMOTE PASS-THRU BACK BAR REFRIGERATOR
4-DOOR, SLIDING



SDPR48 shown



JOB	
AREA	
ITEM NO.	
MODEL NO.	

SDPR48	4-Door Model
--------	--------------

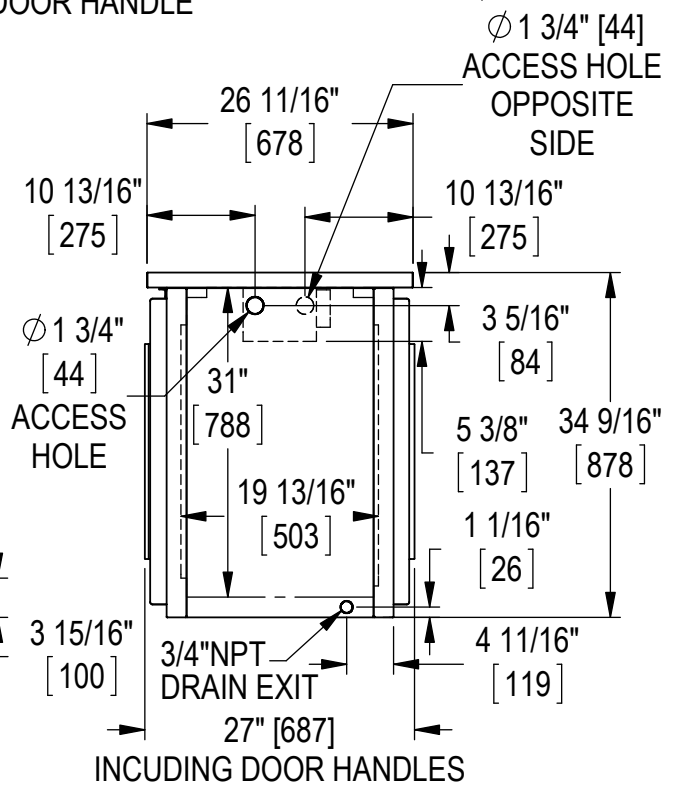
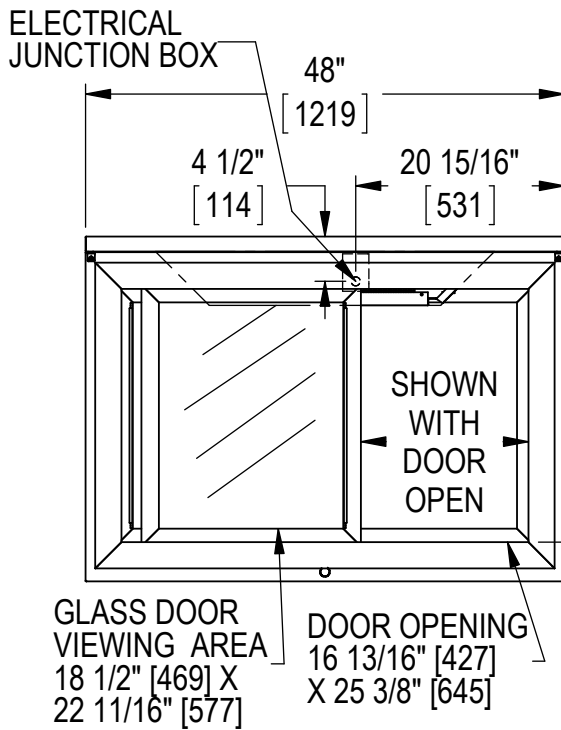
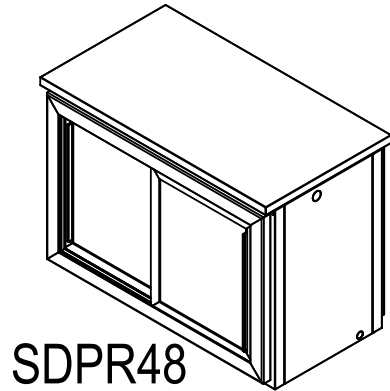
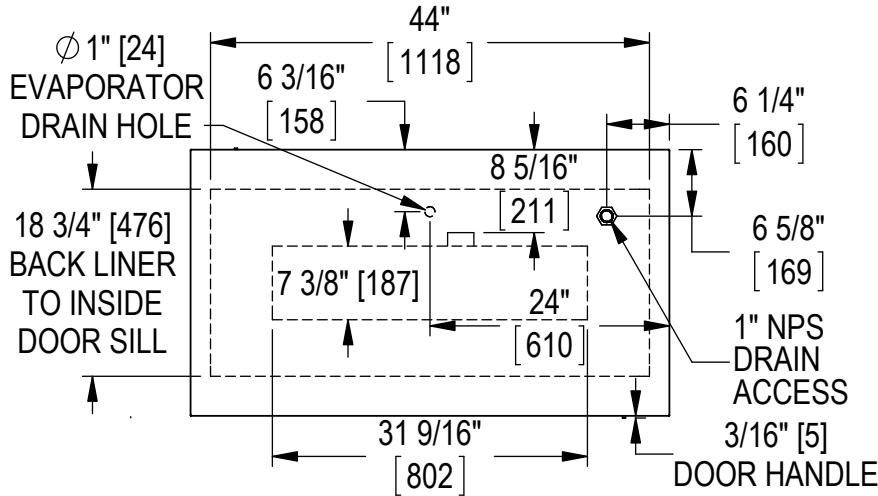
NSF/ANSI Standard 7 Listed for open food storage.
 Note: Models furnished with wine temperature are listed for the storage and display of bottled and canned products only.

MODEL NUMBERS		SDPR48
NUMBER OF DOORS		4
EXTERIOR CABINET DIMENSIONS	Length - in. (mm)	48 (1219)
	Depth - in. (mm)	24 ¹ / ₁₆ (678)
	Height - in. (mm)	34 ⁵ / ₁₆ (878)
INTERIOR CABINET DIMENSIONS	Length - in. (mm)	44 (1118)
	Depth - in. (mm)	18 ³ / ₄ (476)
	Height - in. (mm)	28 ¹ / ₂ (724)
INTERNAL VOLUME Net. Cu. Ft. (Litres)		14.1 (399.27)
PRODUCT CAPACITY	CASE PACKED - 12 OZ. BOTTLE/CAN	314/515
	STAGGERED - 12 OZ. BOTTLE/CAN	339/552
SHIPPING WEIGHT Lbs. (kg.)		274 (124)
ELECTRICAL SPECIFICATIONS	Electrical Supply	120 VAC/60 Hz/1 Ph
	Running Load Amps	1.6
	Electrical Connection	Hard wired
	Defrost Initiation	Automatic
	Defrost Type	Off cycle
	Lighting Type	LED
REFRIGERATION SPECIFICATIONS	Expansion Device	TXV
	Evaporator Capacity-Remotes	1900 Btu/Hr @ 20° F Evaporator
	Remote Refrigerant Options	R134a & R404a
PLUMBING	Floor Drain Included	Yes
	Evaporator Condensate	Field plumbed



REMOTE PASS-THRU BACK BAR REFRIGERATOR
4-DOOR, SLIDING

Note: Open floor drain not provided on models intended for non-packaged food.



California Prop 65 Notice:



WARNING: The materials used in this product may contain chemicals known to the State of California to cause cancer and birth defects or other reproductive harm. For more information go to www.P65Warnings.ca.gov.

Form No. Z2414
Rev. 04.29.2020