



# ATLAS METAL

1135 N.W. 159th DRIVE, MIAMI, FLORIDA 33169

TEL 305.625.2451

TOLL FREE 800.762.7565

FAX 305.623.0475

WWW.ATLASFOODSERV.COM

SALES@ATLASFOODSERV.COM

Project: \_\_\_\_\_

Item No.: \_\_\_\_\_

Quantity: \_\_\_\_\_

## CSG - CUSTOM FOOD GUARDS



### CUSTOM FOOD GUARD

#### CSG - SERIES

Full Service

Open Top

- CSG-1F
- CSG-2F
- CSG-3F
- CSG-4F
- CSG-5F
- CSG-6F

### SPECIFICATIONS

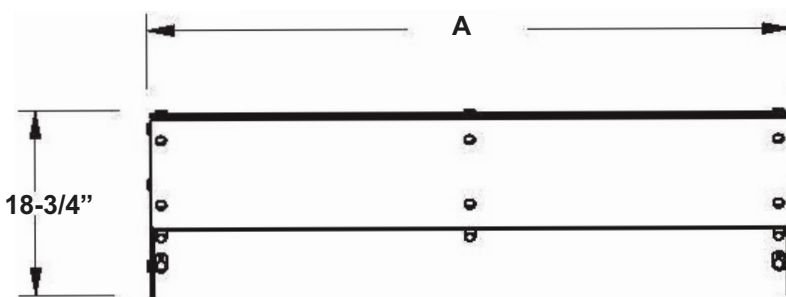
Sneeze guard is constructed from 1" DIA. Stainless steel tubing formed, welded & polished to a uniform finish, mounting hardware & adaptor spacer made of type 316 stainless steel, front & top panels of 3/8" thick tempered glass, (2) 1/4" thick tempered end panels, all tempered glass panels have radius corners & polished edges, easily removable/replaceable, unit is supplied with stainless steel flange feet for ease of mounting to any countertop.

### ACCESSORIES

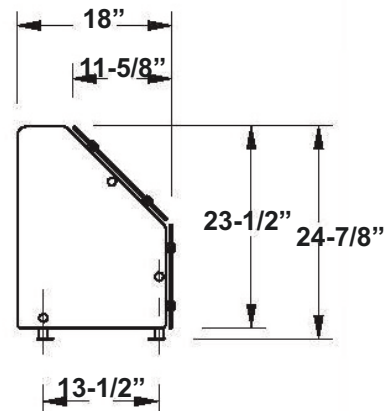
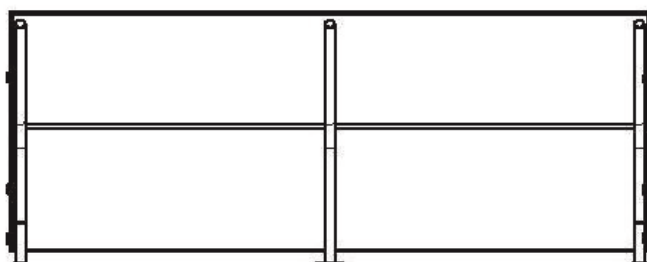
- CSG-PC - Powder coating

MODEL SIZE	LENGTH "A"	WT (LBS.)
1	23-7/8" (60.64cm)	30 (13.60kg)
2	36-1/8" (91.75cm)	38 (17.23kg)
3	49-7/8" (126.68cm)	46 (20.86kg)
4	63-5/8" (161.60cm)	54 (24.49kg)
5	77-3/8" (196.53cm)	62 (28.12kg)
6	91-1/8" (231.45cm)	70 (31.75kg)

TOP VIEW



REAR VIEW



END VIEW

