

Garland Induction Built-in Griddle 3.5kW and 5.0kW

Project _____
Item _____
Quantity _____
CSI Section 11400
Approved _____
Date _____

Models

- GI-SH/GR/IN 3500
- GI-SH/GR/IN 5000



Induction Benefits:

- Energy Efficient
- Fast Startups
- Excellent Recovery
- Uniform Temperature
- Precise Cooking
- Easy To Clean
- Cool Operations

Standard Features

- Drop-in, flush mounted design with stainless steel body below counter and with durable grill plate surface. Plate construction is a low friction, abrasion, chemical, corrosion and heat resistant.
- Compact high power induction griddles available in either 3.5 kW or 5.0 kW
- Instant energy transmission from inverter coil to griddle plate surface for excellent temperature recovery; heat up time, 68° to 450°F (20° to 230°C), 4 1/2 minutes for 3.5kW, 3 1/2 minutes for 5.0kW
- Equal heat distribution for corner to corner, with consistent results across the entire cooking surface. Surface is controlled and monitored, resulting in automatic adjustment as soon as a temperature deviation is detected
- Stainless Steel cabinet construction
- Removable, reusable intake filter
- Removable stainless steel griddle plate splashguard

- Easy access front grease trough
- 6' (1829mm) cord and plug supplied
- Integral cooling fan keeps electronics cool, discharging from bottom. Cabinet should allow hot air to exhaust from the top rear.
- Innovated new technology for temperature differential sensing: RTCsmp is an internal control software development matching speed, capability and performance.
 - R – Real Time
 - T – Temperature
 - C – Control
 - S – System
 - m – Multi
 - p – Point
- Built-Air-In-Take-Kit (part number 95000021) includes:
 - Aluminum Spiroflex air duct, 5m
 - Grease filter
 - Mounting Kit
- Grease drawer not provided and is custom built

Specifications

Shall be a Garland Induction Built-in Griddle, unit model GI-SH/GR/IN 3500 with a total kW rating of 3.5 kW or model GI-SH/GR/IN 5000 with a total kW rating of 5.0 kW. Built with a durable easy to clean stainless steel exterior and a griddle plate, manufactured with a fine match of mechanical, chemical and electrolytic surface coatings. Rotary dial thermostat control with LED read out 69°-450°F (20°-230°C). Unit comes in 208V (specify at time of order) supplied with integral cord and plug for North America, other voltages available.

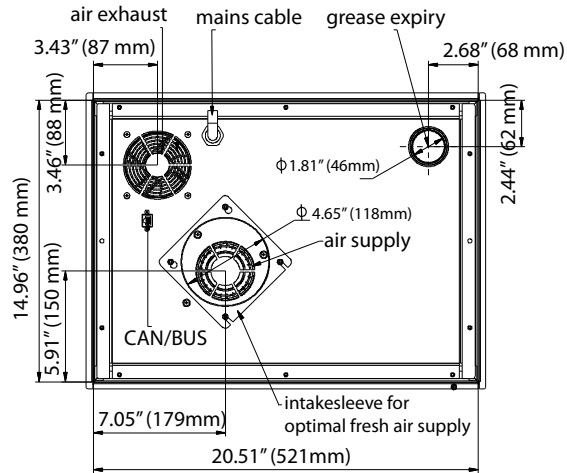
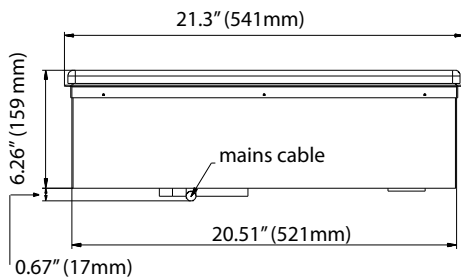
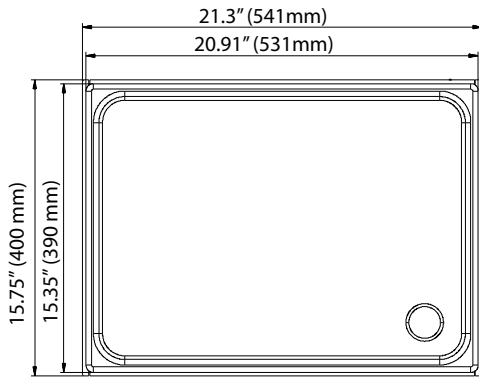


CE models comply with the latest European Norms: EN 60335-1, EN 60335-2-36, EN 62233 (EMC/EMV)

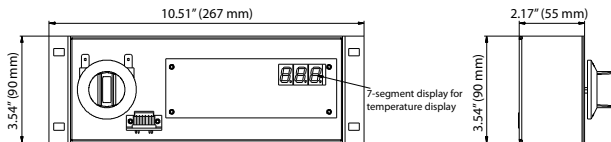
North American models:

ETL listed in compliance with UL 197, CSA C22.2 No.109, NSF-4
Complies with FCC part 18, ICES-001

Garland Induction Built-in Griddle 3.5kW and 5.0kW





RTCSmp Built-In Griddle SH/GR/IN 3500 and 5000 General Overview Measurements
 (Refer to installation/owners manual for detail installation instructions)


Garland/U.S. Range products are not approved or authorized for home or residential use, but are intended for commercial applications only. Garland / U.S. Range will not provide service, warranty, maintenance or support of any kind other than in commercial applications.

Griddle Control Box Section
 (Refer to installation/owners manual for detail installation instructions)


Electrical Loading			
Model	Watts	208/60/1	230/50/1
GI-SH/GR/IN 3500	3500	16 amp	15 amp

Electrical Loading			
Model	Watts	208/60/3	400/50/3
GI-SH/GR/IN 5000	5000	14 amp	8 amp

Plug Configurations		
Model	Electrical Characteristics	Plug
GI-SH/GR/IN 3500	208V/60Hz/1Φ 240V/60Hz/1Φ	 NEMA 6-20P
	230V/50Hz/1Φ	 EU1-16P
GI-SH/GR/IN 5000	208V/60Hz/3Φ	 L15-20P
	400V/50Hz/3Φ	 EU 5-Pole

Welbilt reserves the right to make changes to the design or specifications without prior notice.